

R 101 DN 25

Pe = Pu max. 8 bar
Pa = Pd 22-1.200mbar
Q max. 200 Nm³/h
 (300) Nm³/h*

KG-Values

V 17,5 186 Nm³/h
V 27,5 459 Nm³/h

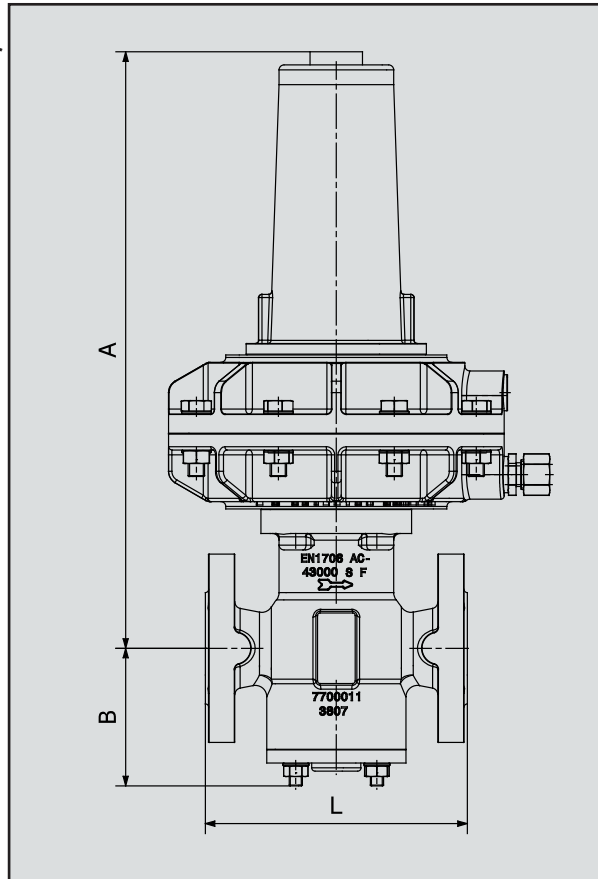
Gas characteristics:

suitable for gas of the gas families 1, 2, 3 (DVGW-G260) and not aggressiv gas.

Ambient-/ Working temp. -20...+60°C

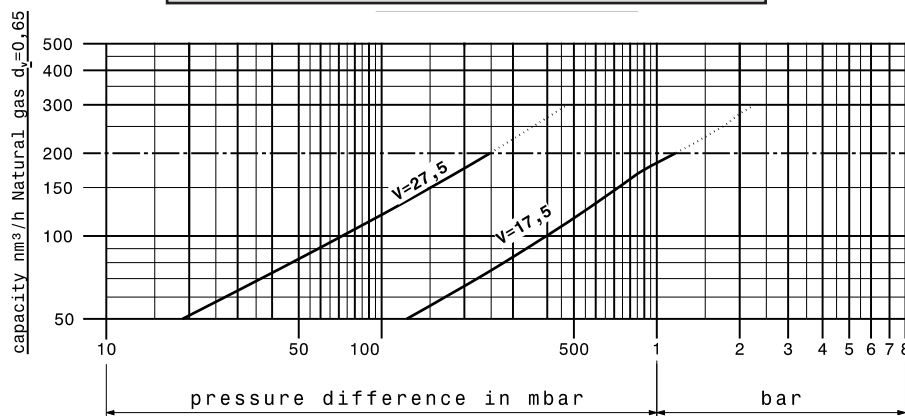
Fitting position any

Flow speed max. 30m/s
 (limit 60m/s)*



Special design:
high pressure shaft

* after consulting MEDENUS



Pd < 200 mbar 200 - 800 mbar**	Pd < 750 mbar 750 - 1.200 mbar**	Pd < 1.200 mbar
10,5kg	8kg	6,5kg
PN16	PN16	PN16
A=346mm	A=364mm	A=356mm
B= 84mm	B= 84mm	B= 84mm
L=160mm	L=160mm	L=160mm
Ø 318	Ø 205	Ø 160
** high pressure shaft		