

R 101 DN 65

Pe = Pu max. 8 bar
Pa = Pd 22-1.200mbar
Q max. 1.500 Nm³/h
 (1.800) Nm³/h*

KG-Values

V 32,5 697 Nm³/h
V 42,5 1.191 Nm³/h
V 52,5 1.818 Nm³/h

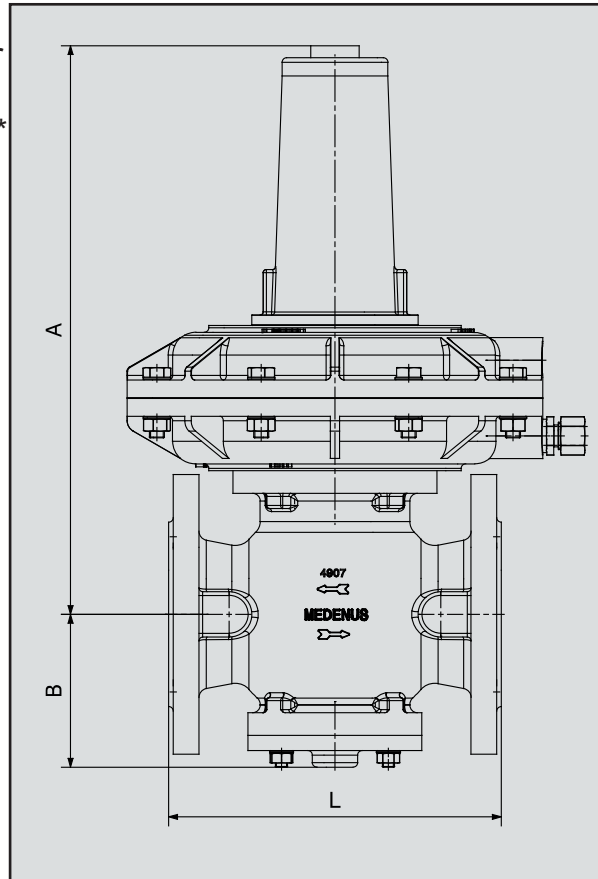
Gas characteristics:

suitable for gas of the gas families 1, 2, 3 (DVGW-G260) and not aggressiv gas.

Ambient-/ Working temp. -20...+60°C

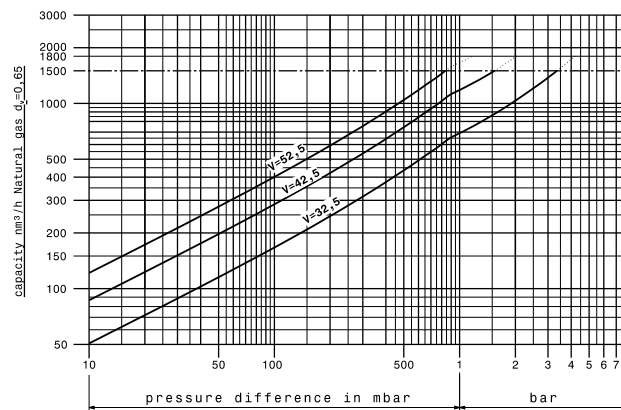
Fitting position any

Flow speed max. 30m/s
 (limit 60m/s)*

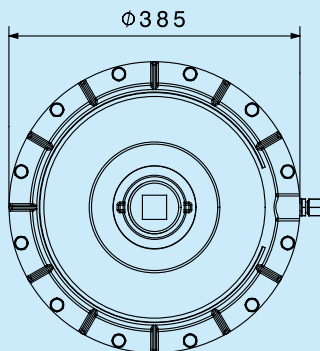


Special design:
 high pressure shaft

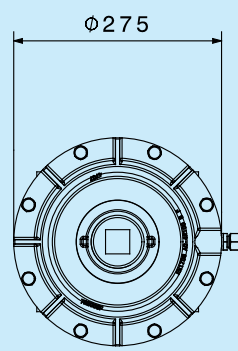
* after consulting MEDENUS



Pd < 130 mbar
130 - 450 mbar**
 22kg
 PN16
 A=376mm
 B=101mm
 L=220mm



Pd < 400 mbar
400 - 1.100 mbar**
 18kg
 PN16
 A=376mm
 B=101mm
 L=220mm



** high pressure shaft

Pd < 750 mbar
750 - 1.200 mbar**
 16kg
 PN16
 A=376mm
 B=101mm
 L=220mm

