

# Tight butterfly valve series VFW and VFL

Tight butterfly valves of series VFW and VFL are installed by various industrial plants, for both shut-off and regulation purposes of air and gas belonging to the first, second and third family.

This range of butterfly valves bring the advantage to have a limited dimensions and light weight, seat in NBR with internal metal ring guarantees further to the dimensional and geometrical stability, an easily replacement of the seat in case of accidental damage.

Model VFW is a wafer type of butterfly valve and model VFL is a lug type; both are equipped with a yellow lever and on request can be supplied with electric or pneumatic actuator.

Butterfly valves VFW and VFL have a declaration of conformity to norms EN 161.

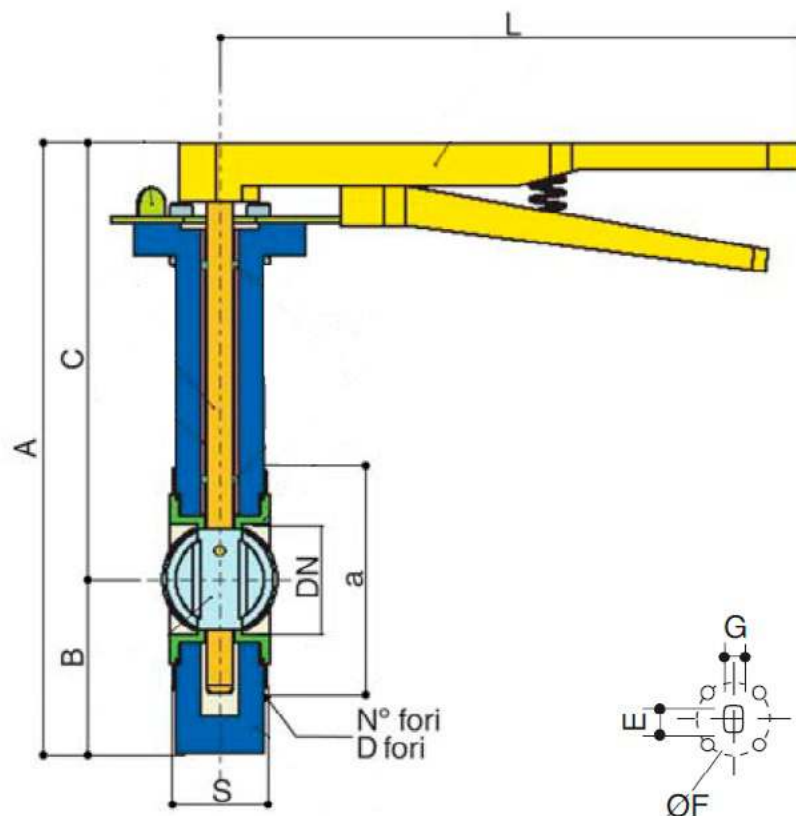


## TECHNICAL FEATURES

<b>Valve body</b>	Cast-iron GJS400 painted
<b>Butterfly disc</b>	Cast-iron GJS400, on request in inox
<b>Seat</b>	NBR
<b>Diameters</b>	DN40 ÷ DN300 PN16
<b>Max pressure</b>	16 bar
<b>Max temperature</b>	-12 ÷ +80°C

## FEATURES

- Solid and consistent construction suitable of industry application
- Perfect internal and external tightness
- Motorized version available with electric floating or analogical actuator or with pneumatic actuator simple or double effect



DN	A	B	C	S	L	a	No holes	D holes	M holes	Ø F	E	G	FL iso
40	252	70	182	35	165	110	4	19	M16	7	12	9	F05
50	273	80	193	45	165	125	4	19	M16	7	12	9	F05
65	296	89	207	48	265	145	4	19	M16	7	12	9	F05
80	308	95	213	49	265	160	8	19	M16	7	12	9	F05
100	346	114	232	55	265	180	8	19	M16	10	14	11	F07
125	372	127	245	58	265	210	8	19	M16	10	18	14	F07
150	397	139	258	59	265	240	8	23	M20	10	18	14	F07
200	480	175	305	63	355	295	12	23	M20	12	22	17	F10
250	540	203	337	70	500	355	12	28	M24	12	28	22	F10
300	624	242	382	80	500	410	12	28	M24	14	28	22	F12