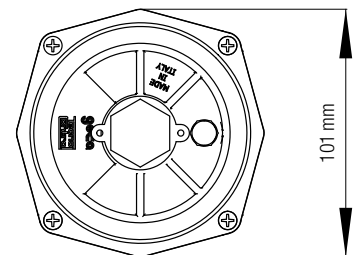
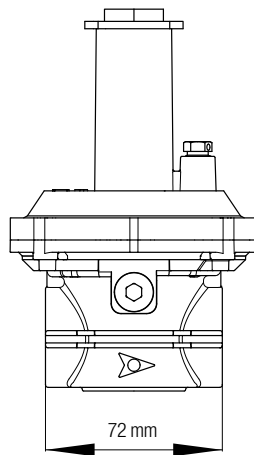
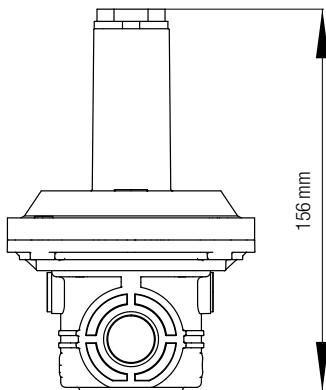


| | |
|---|-------------------|
| 1 | Body |
| 2 | O ring |
| 3 | Gasket |
| 4 | Shaft |
| 5 | Flange adapter |
| 6 | Working Diaphragm |
| 7 | Disc |
| 8 | Nut |

| | |
|----|-------------------|
| 9 | Safety diaphragm |
| 10 | Washer |
| 11 | Upper cover |
| 12 | Safety vent |
| 13 | Spring |
| 14 | Spring compressor |
| 15 | O ring |
| 16 | Seal cap |



| Dimension | 1/2" | 3/4" | 1" |
|--------------|------|------|-----|
| WEIGHT (kgs) | 0,8 | 0,7 | 0,5 |