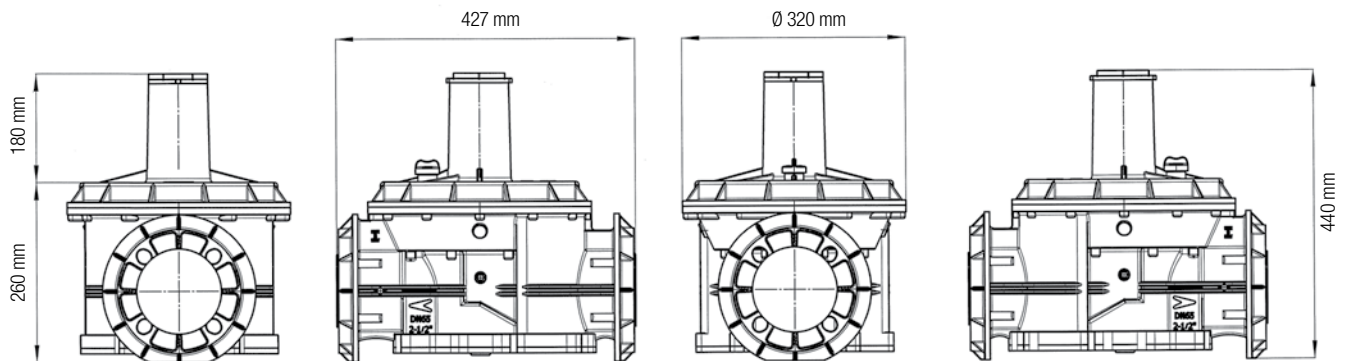


1	Seal cap
2	O-Ring
3	Spring compressor
4	Washer
6	Screws
7	Vent cap
8	Upper cover
9	Plastic Washer
10	Safety diaphragm
11	Calibrated nozzle
12	Washer
13	Disc
14	Compensation diaphragm

15	Shaft
16	Upper bush
17	Disc
18	Working diaphragm
19	Lower bush
20	Body
21	Sensing tube
22	Seal washer
23	Plastic ring
24	Gasket
25	Cover
26	Nut
27	Filter cartridge
28	Screw cover



Dimension	DN65	DN80	DN100
WEIGHT (kgs)	16	15,3	14,6