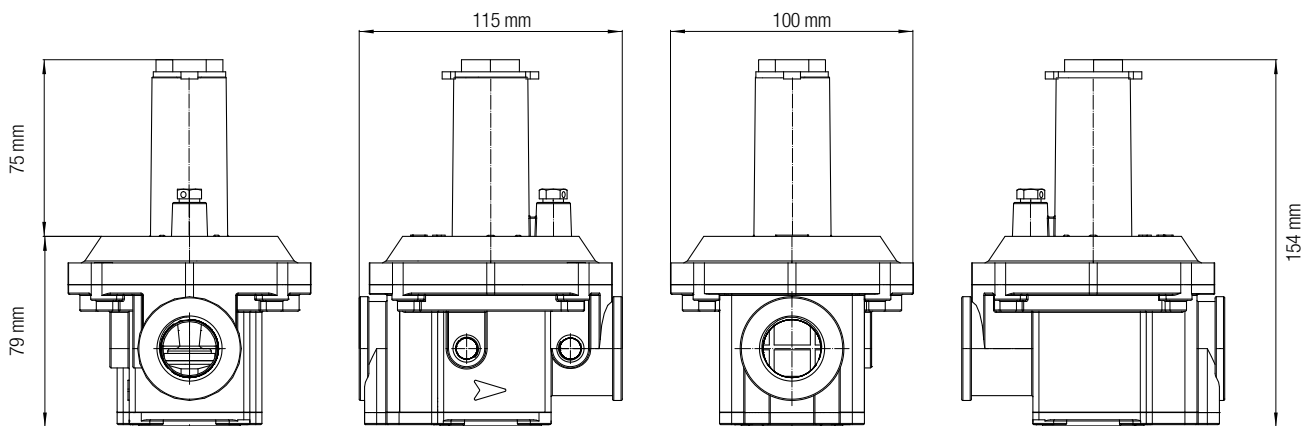


|    |                        |
|----|------------------------|
| 1  | Seal cap               |
| 2  | O ring                 |
| 3  | Spring compressor      |
| 4  | Washer                 |
| 6  | Screws                 |
| 7  | Vent cap               |
| 8  | Upper cover            |
| 9  | Plastic Washer         |
| 10 | Safety diaphragm       |
| 11 | Calibrated nozzle      |
| 12 | Washer                 |
| 13 | Disc                   |
| 14 | Compensation diaphragm |

|    |                   |
|----|-------------------|
| 15 | Shaft             |
| 16 | Upper bush        |
| 17 | Disc              |
| 18 | Working diaphragm |
| 19 | Lower bush        |
| 20 | Body              |
| 21 | Sensing tube      |
| 22 | Seal washer       |
| 23 | Plastic ring      |
| 24 | Gasket            |
| 25 | Cover             |
| 26 | Nut               |
| 27 | Filter cartridge  |



| Dimension    | 1/2"  | 3/4"  | 1"    |
|--------------|-------|-------|-------|
| WEIGHT (kgs) | 0,720 | 0,688 | 0,663 |