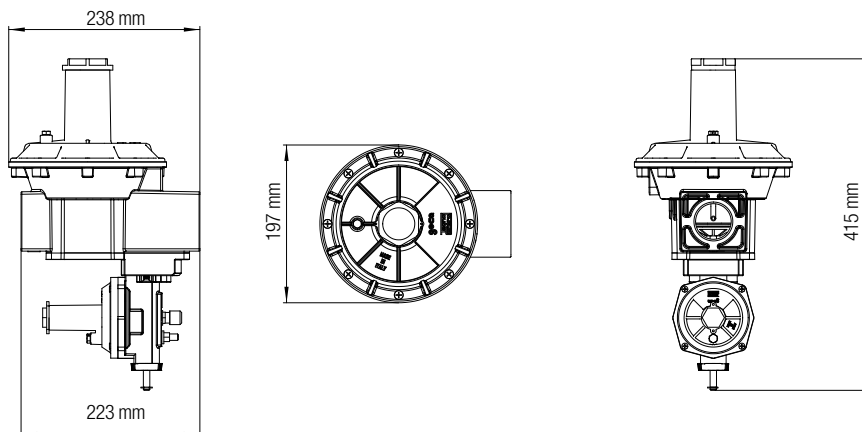


1	Seal cap
2	O-Ring
3	Spring compressor
4	Washer
5	Screws
6	Vent cap
7	Upper cover
8	Plastic Washer
9	Safety diaphragm
10	Calibrated nozzle
11	Washer
12	Disc
13	Compensation diaphragm
14	Upper Bush

15	Disc
16	Working diaphragm
17	Lower bush
18	Cap
19	O-Ring
20	Body
21	Sensing Tube
22	Shaft
23	Seal washer
24	Shaft-Insert Assembly
25	Spring
26	Nut
27	Gasket
28	Cover

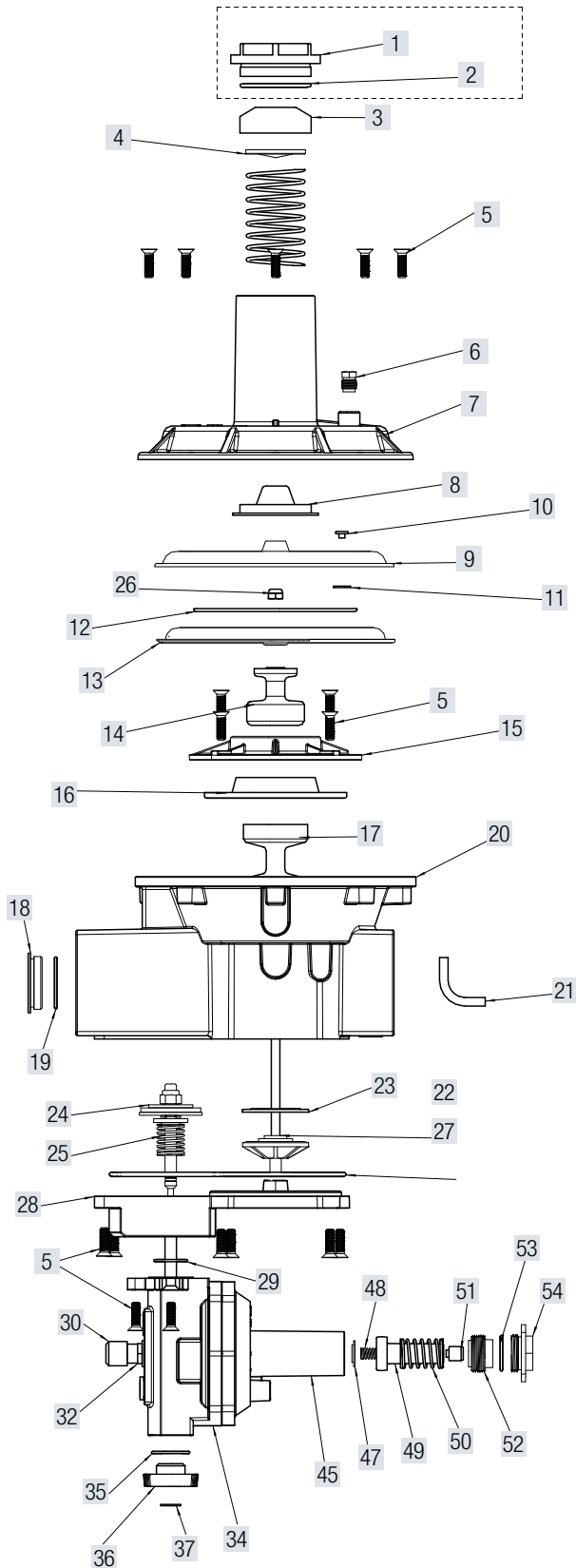
29	O-Ring
30	Release button
31	Spring
32	Fitting
33	O-Ring
34	Body
35	O-Ring
36	Reset knob
37	Seeger
38	O-Ring
39	Release shaft
40	Lever assembly
41	Spring
42	Shaft-membrane Assembly

43	O-Ring
44	Insert
45	Cap
46	Screws
47	Washer
48	Spring UPSO Min
49	Insert
50	Spring OPSO Max
51	Spring compressor UPSO
52	Spring compressor
53	O-Ring
54	Seal Cap



Dimension	1 ¼"	1 ½"	2"
WEIGHT (kgs)	4,57	4,52	4,4

ASSEMBLY OVERVIEW



1	Seal cap
2	O-Ring
3	Spring compressor
4	Washer
5	Screws
6	Vent cap
7	Upper cover
8	Plastic Washer
9	Safety diaphragm
10	Calibrated nozzle
11	Washer
12	Disc
13	Compensation diaphragm
14	Upper Bush
15	Disc
16	Working diaphragm
17	Lower bush
18	Cap
19	O-Ring
20	Body
21	Sensing Tube
22	Shaft
23	Seal washer
24	Shaft-Insert Assembly
25	Spring
26	Nut
27	Gasket
28	Cover
29	O-Ring
30	Release button
31	Spring
32	Fitting
33	O-Ring
34	Body
35	O-Ring
36	Reset knob
37	Seeger
38	O-Ring
39	Release shaft
40	Levers assembly
41	Spring
42	Shaft-membrane Assembly
43	O-Ring
44	Insert
45	Cap
46	Screws M4
47	Washer
48	Spring UPSO Min
49	Insert
50	Spring OPSO Max
51	Spring compressor UPSO
52	Spring compressor
53	O-Ring
54	Seal Cap

# SETTINGS

