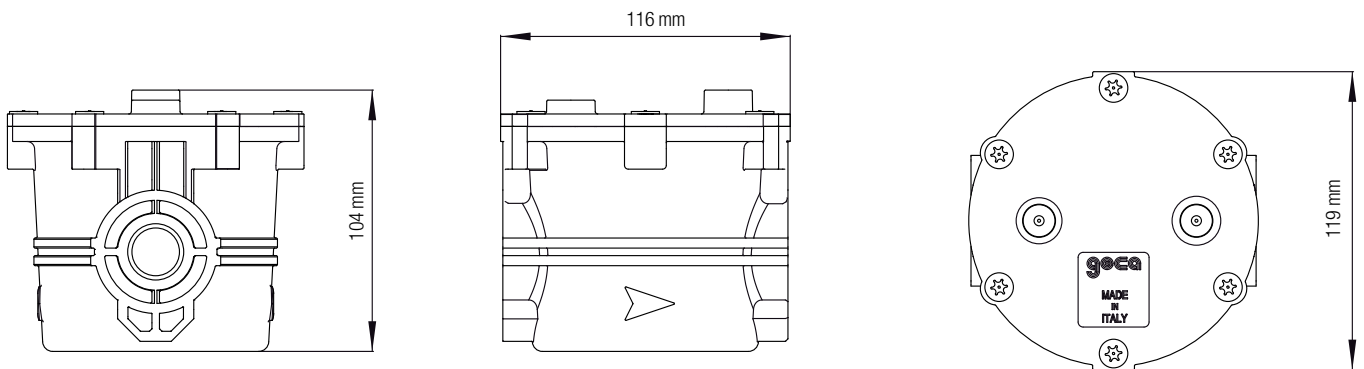


- 1** Test point connection
- 2** Seal O ring
- 3** Filter cartridge
- 4** Body
- 5** Cover



Dimension	1/2"	3/4"	1"
WEIGHT (kgs)	0,806	0,795	0,786