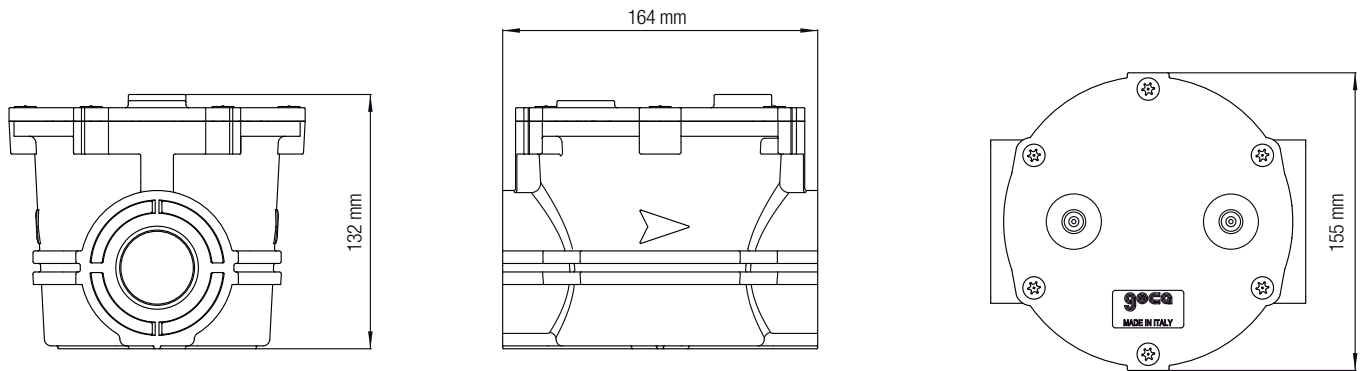


- 1** Test point connection
- 2** Seal O ring
- 3** Filter cartridge
- 4** Body
- 5** Cover



Dimension	1 ¼"	1 ½"	2"
WEIGHT (kgs)	1,63	1,55	1,45