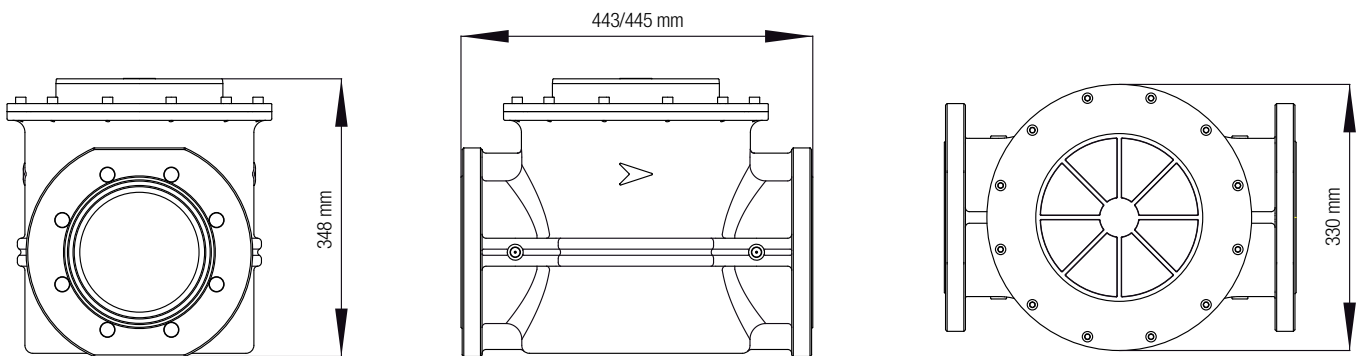


- 1** Test point connection
- 2** Seal O ring
- 3** Filter cartridge
- 4** Body
- 5** Cover



Dimension	DN125	DN150
WEIGHT (kgs)	23	21