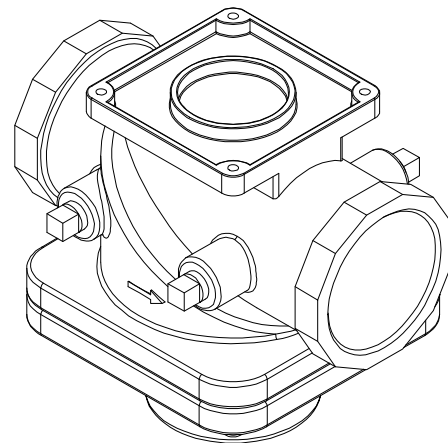
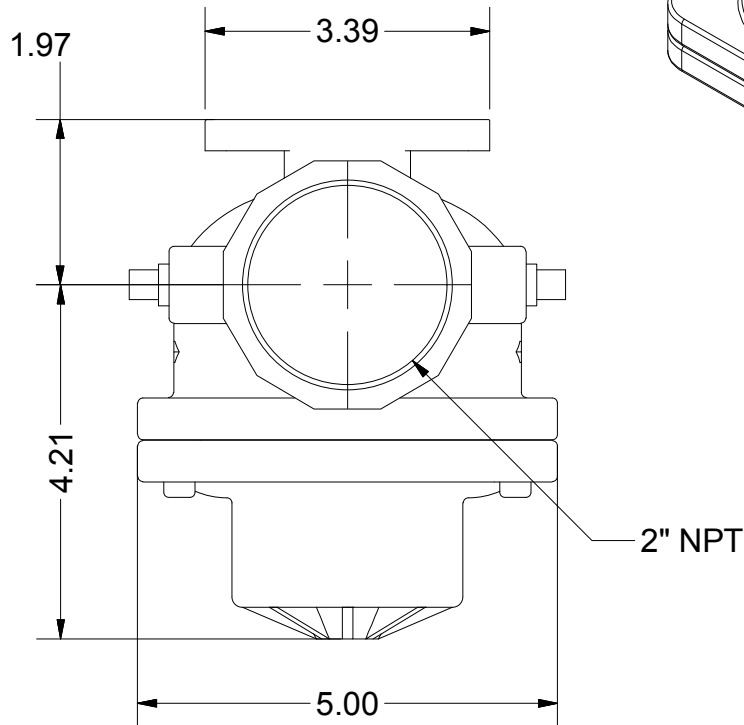
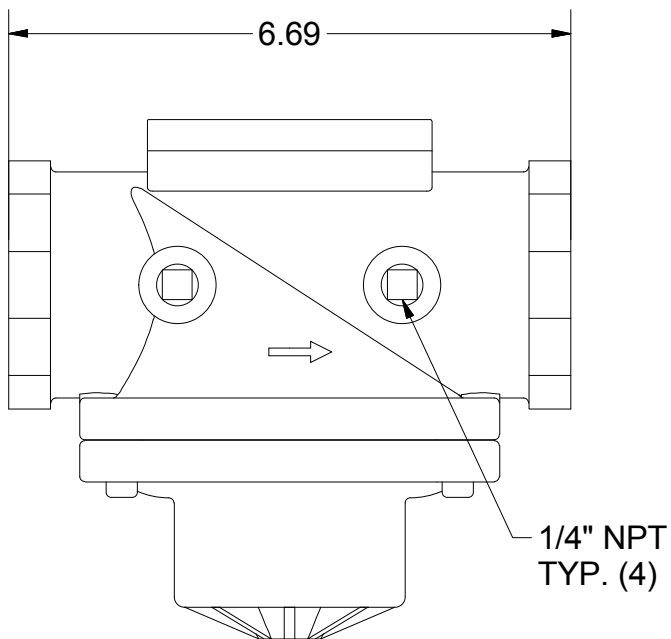


2

1

B

B



A

A

NOTE: DIMENSIONS FOR REFERENCE ONLY

REV.

1

MATERIAL					VALVE BODY: ALUMINUM				
FINISH									
TOLERANCES (UNLESS OTHERWISE SPECIFIED)									
FRACT.	.XX	.XXX	ANG.	ALL DIMENSIONS IN INCHES UNLESS NOTED					
<u>+/- 0/00</u>	<u>+/- 0.01</u>	<u>+/- 0.005</u>	<u>+/- 0.5°</u>						

SCC Inc.		
Elk Grove Village, IL 60007		
PH# 224-366-8445		
ENGINEER	DRAWN BY	CHECKED BY
	DAG	

DESCRIPTION		
Single Gas Valve Body (2" NPT)		
DATE ORIGINATED	SHEET	SCALE
1/7/2013	1 of 1	7/16

This Drawing and all information contained in this Drawing is the Property of SCC Inc.

PART / DRAWING #
VGG10.504U

2

1