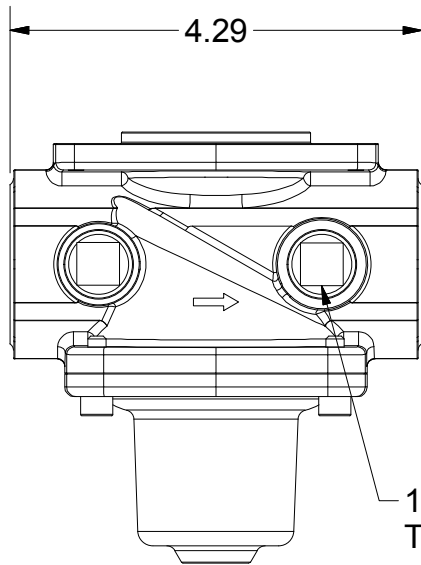


2

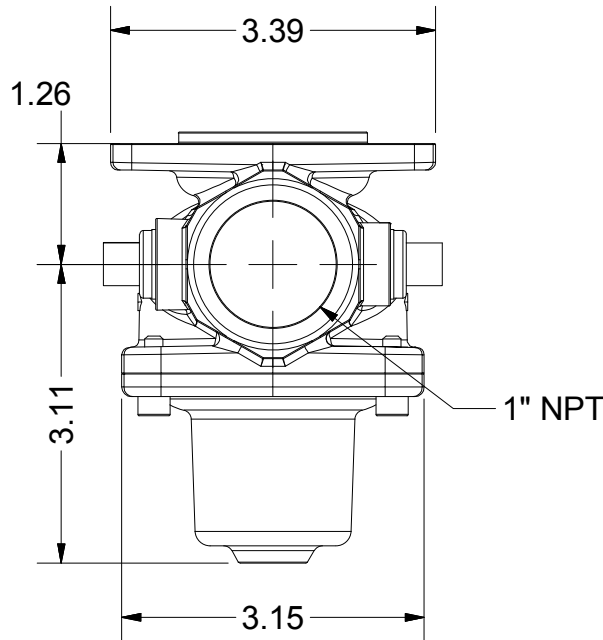
1

B

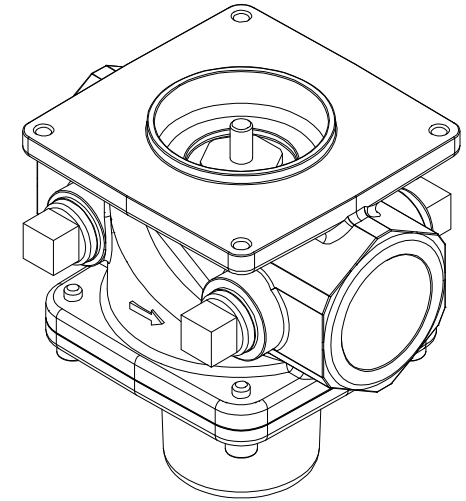
B



1/4" NPT
TYP. (4)



1" NPT



NOTE: DIMENSIONS FOR REFERENCE ONLY

REV.

1

MATERIAL VALVE BODY: ALUMINUM		SCC Inc. Elk Grove Village, IL 60007 PH# 224-366-8445		DESCRIPTION Single Gas Valve Body (1" NPT)			
FINISH				ENGINEER	DRAWN BY	CHECKED BY	DATE ORIGINATED
TOLERANCES (UNLESS OTHERWISE SPECIFIED)		ALL DIMENSIONS IN INCHES UNLESS NOTED					
FRACT.	.XX	.XXX	ANG.				
<u>+/- 0/00</u>	<u>+/- 0.01</u>	<u>+/- 0.005</u>	<u>+/- 0.5°</u>				
This Drawing and all information contained in this Drawing is the Property of SCC Inc.							
				PART / DRAWING # VGG10.254U			

A

A

2

1