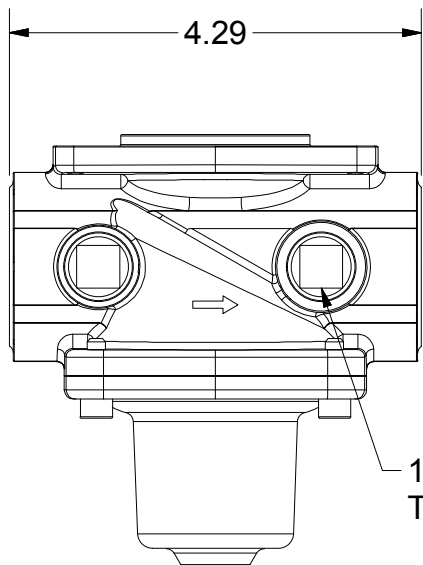


2

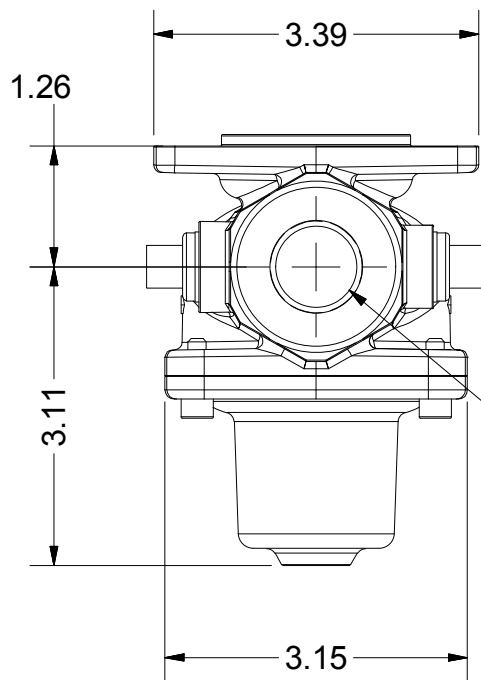
1

B

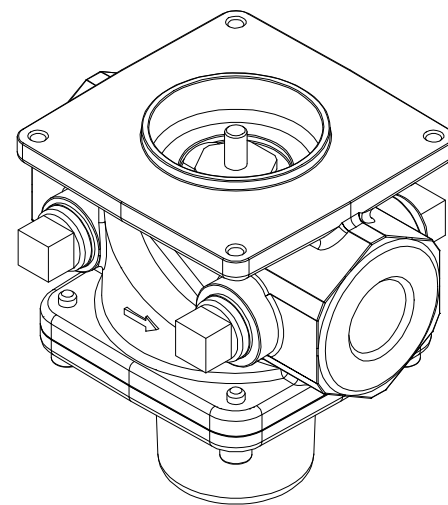
B



1/4" NPT  
TYP. (4)



1/2" NPT



NOTE: DIMENSIONS FOR REFERENCE ONLY

REV.

1

A

A

MATERIAL VALVE BODY: ALUMINUM				
FINISH				
TOLERANCES (UNLESS OTHERWISE SPECIFIED)				
FRACT.	.XX	.XXX	ANG.	ALL DIMENSIONS IN INCHES UNLESS NOTED
$\pm 0/00$	$\pm 0.01$	$\pm 0.005$	$\pm 0.5^\circ$	

**SCC Inc.**  
 Elk Grove Village, IL 60007  
 PH# 224-366-8445

DESCRIPTION  
 Single Gas Valve Body (1/2" NPT)

ENGINEER	DRAWN BY	CHECKED BY	DATE ORIGINATED	SHEET	SCALE
	DAG		1/7/2013	1 of 1	1/2

This Drawing and all information contained in this Drawing is the Property of SCC Inc.

PART / DRAWING #  
 VGG10.154U

2

1