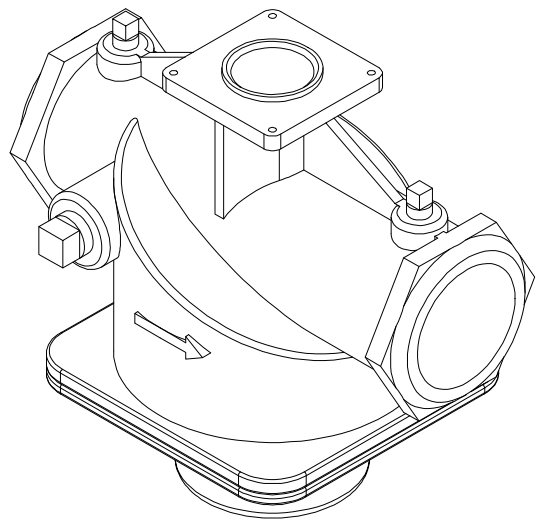
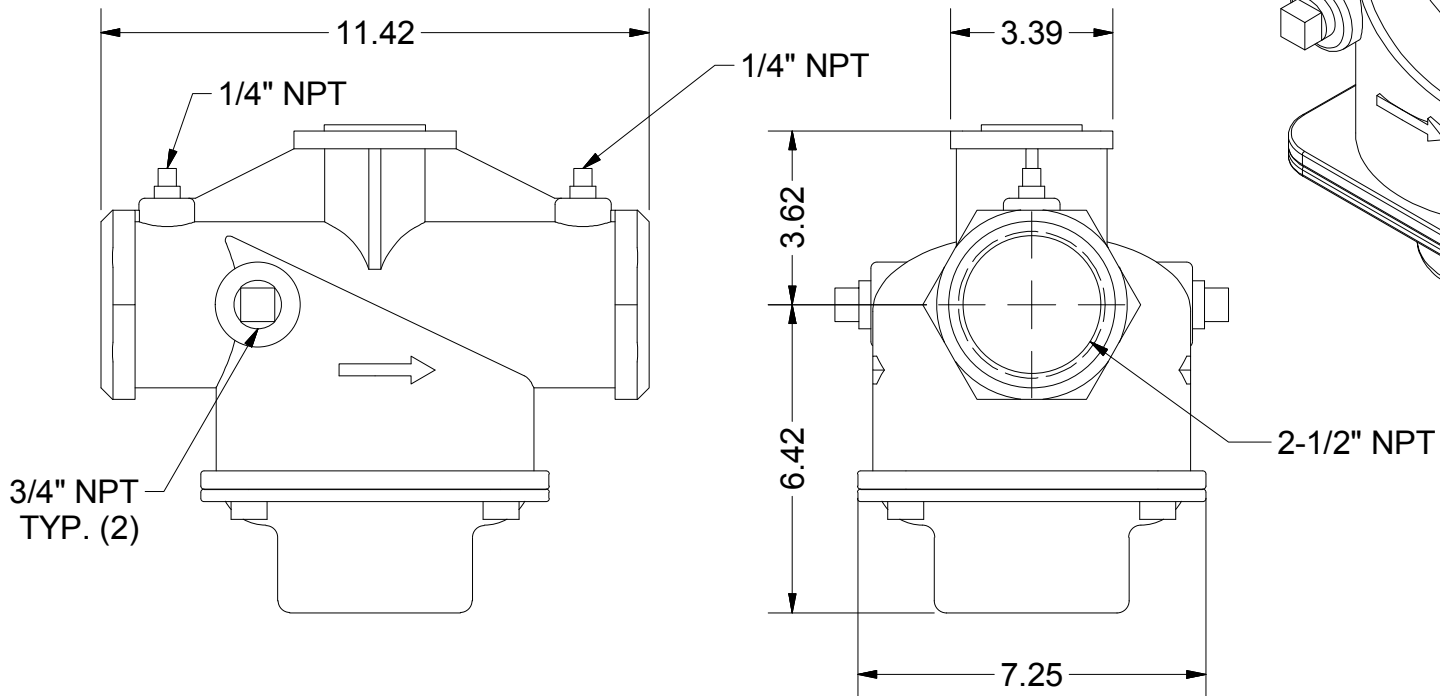


2

1

B

B



A

A

REV.

1

NOTE: DIMENSIONS FOR REFERENCE ONLY

MATERIAL VALVE BODY: CAST IRON					SCC Inc. Elk Grove Village, IL 60007 PH# 224-366-8445			DESCRIPTION Single Gas Valve Body (2-1/2" NPT)				
FINISH								ENGINEER			DRAWN BY	CHECKED BY
TOLERANCES (UNLESS OTHERWISE SPECIFIED)					ALL DIMENSIONS IN INCHES UNLESS NOTED			DAG		1/7/2013	1 of 1	1 / 4
FRACT.					.XX	.XXX	ANG.					
+/- 0/00					+/- 0.01	+/- 0.005	+/- 0.5					
This Drawing and all information contained in this Drawing is the Property of SCC Inc.								PART / DRAWING # VGG10.654U				

2

1