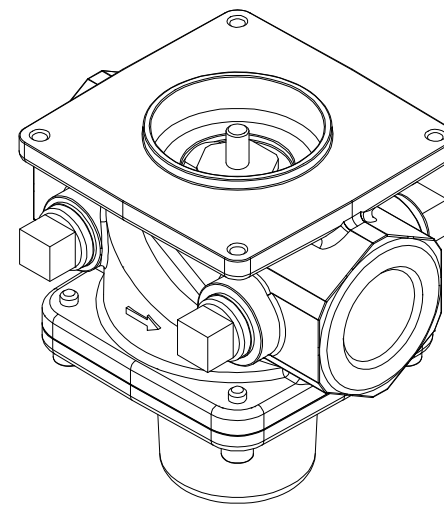
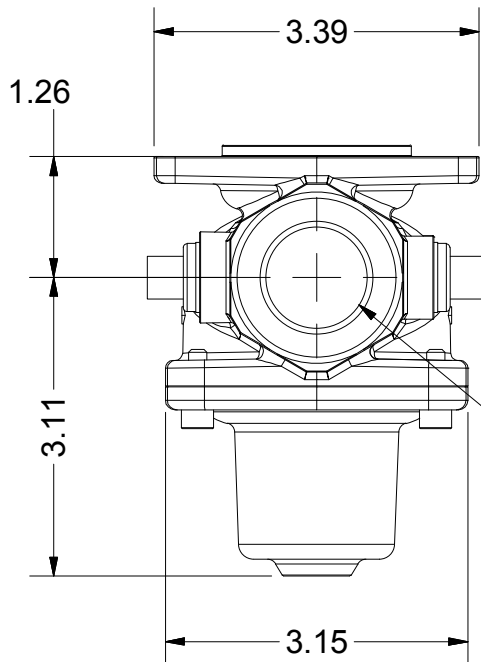
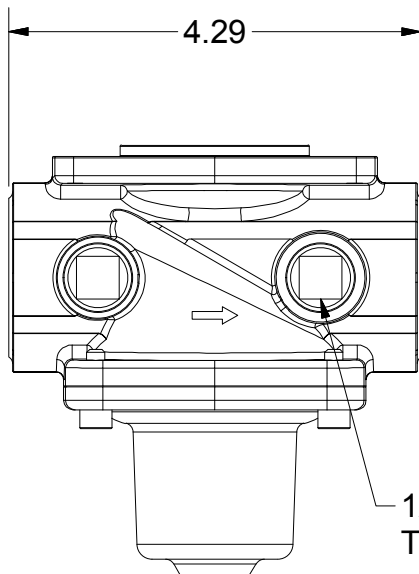


2

1

B

B



A

A

NOTE: DIMENSIONS FOR REFERENCE ONLY

REV.

1

MATERIAL VALVE BODY: ALUMINUM				
FINISH				
TOLERANCES (UNLESS OTHERWISE SPECIFIED)				
FRACT.	.XX	.XXX	ANG.	ALL DIMENSIONS IN INCHES UNLESS NOTED
$\pm 0/00$	± 0.01	± 0.005	$\pm 0.5^\circ$	

SCC Inc.
Elk Grove Village, IL 60007
PH# 224-366-8445

DESCRIPTION
Single Gas Valve Body (3/4" NPT)

ENGINEER	DRAWN BY	CHECKED BY	DATE ORIGINATED	SHEET	SCALE
	DAG		1/7/2013	1 of 1	1/2

This Drawing and all information contained in this Drawing is the Property of SCC Inc.

PART / DRAWING #
VGG10.204U

2

1