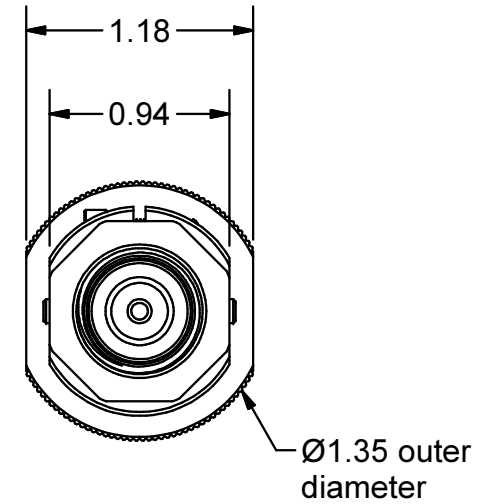
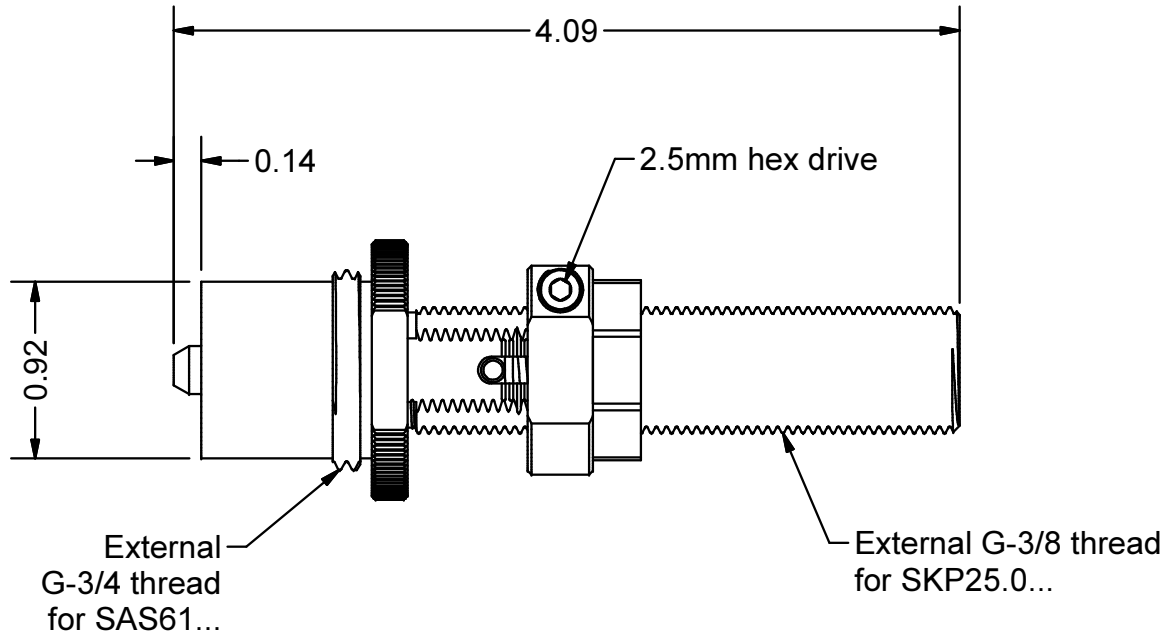
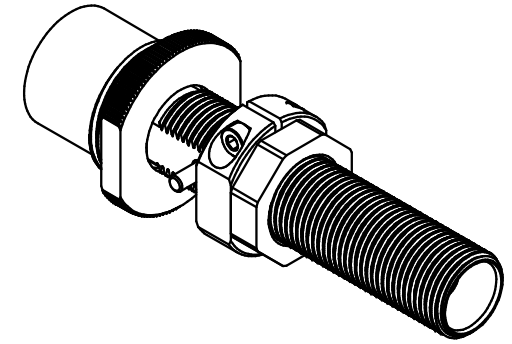


2

1

B

B



A

A

REV.

1

NOTE: DIMENSIONS FOR REFERENCE ONLY

MATERIAL		SCC Inc. Elk Grove Village, IL 60007 PH# 224-366-8445			DESCRIPTION				
FINISH					Adapter for Mounting SAS... Actuators to SKP25.0 Gas Valve Actuators				
TOLERANCES (UNLESS OTHERWISE SPECIFIED)					ENGINEER	DRAWN BY	CHECKED BY	DATE ORIGINATED	SHEET
FRACT.	.XX	.XXX	ANG.	ALL DIMENSIONS IN INCHES UNLESS NOTED			1/7/2013	1 of 1	1 : 1
	+/- 0/00	+/- 0.01	+/- 0.005	+/- 0.5'	DJP	DJP			
This Drawing and all information contained in this Drawing is the Property of SCC Inc.					PART / DRAWING #				
					AGA30.7				

2

1