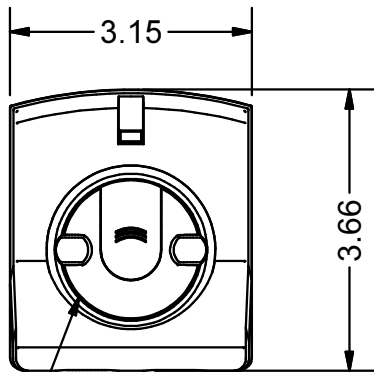
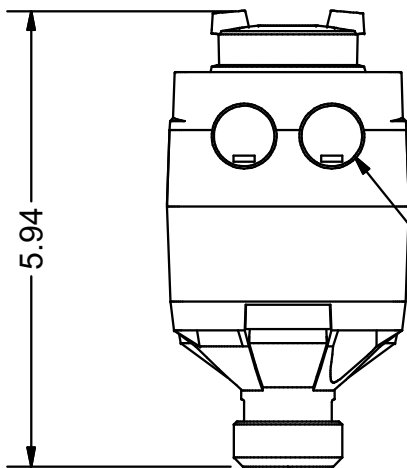
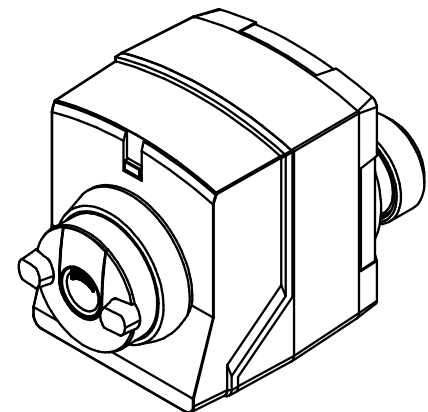


2

1

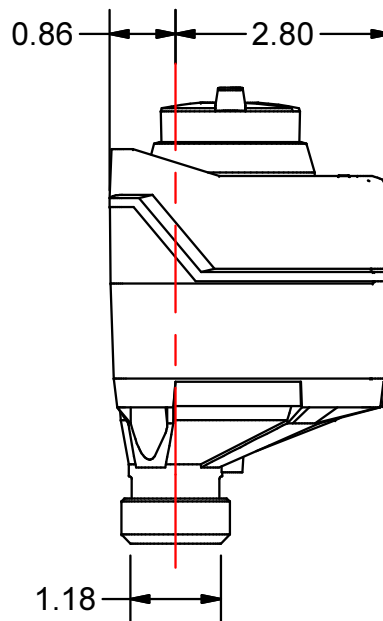


MANUAL ADJUSTER



1/2" KNOCKOUT
TYP.(2)

G-3/4 THREAD



REV.

1

NOTE: DIMENSIONS FOR REFERENCE ONLY

MATERIAL				SCC Inc. Elk Grove Village, IL 60007 PH# 224-366-8445			DESCRIPTION		
FINISH							Electromotoric Actuator for SKP25.0 Gas Valve Actuators		
TOLERANCES (UNLESS OTHERWISE SPECIFIED)							DATE ORIGINATED	SHEET	SCALE
FRACT.	.XX	.XXX	ANG.	ALL DIMENSIONS IN INCHES UNLESS NOTED			1/7/2013	1 of 1	.4
	+/- 0/00	+/- 0.01	+/- 0.005	+/- 0.5'	ENGINEER	DRAWN BY	CHECKED BY	PART / DRAWING #	
					DJP	DJP		SAS61.03U	
This Drawing and all information contained in this Drawing is the Property of SCC Inc.									

2

1

B

B

A

A