

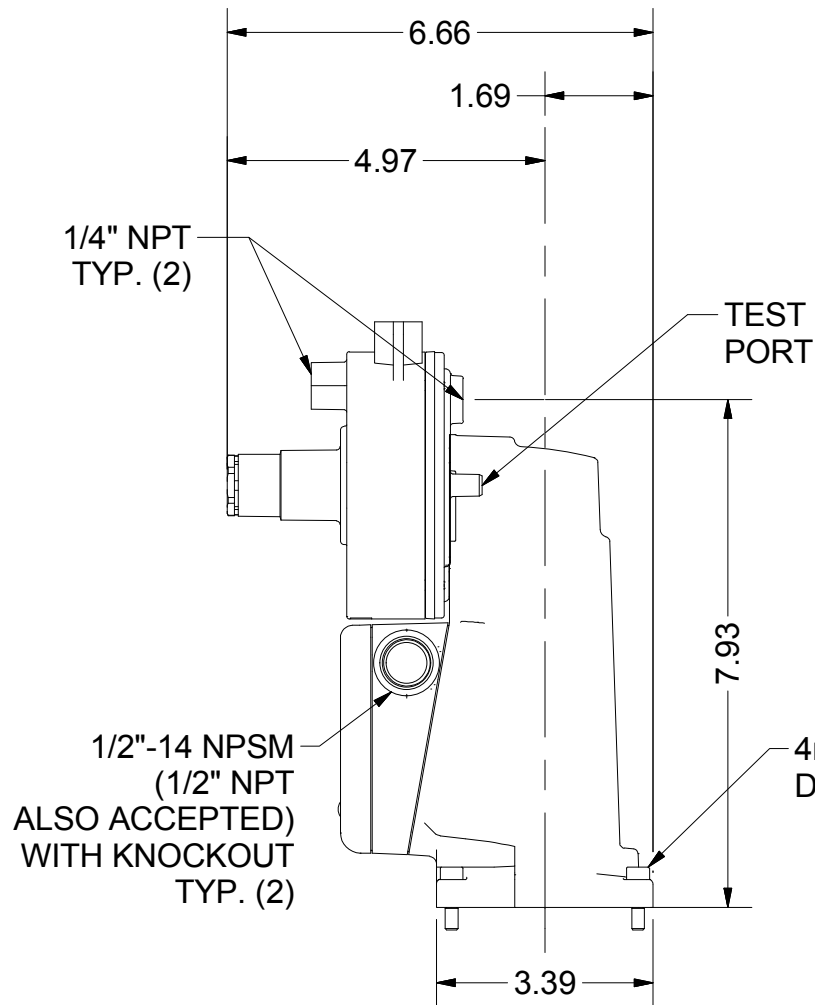
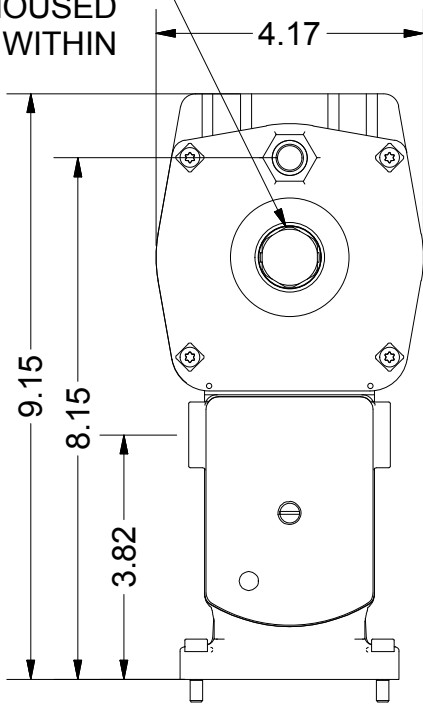
2

1

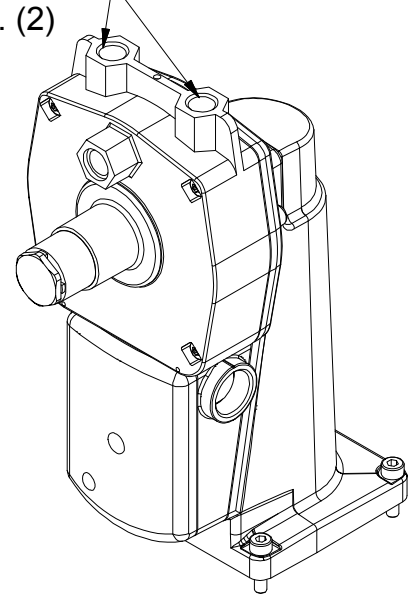
B

B

ADJUSTABLE
SPRING
HOUSED
WITHIN



1/4" NPT
TYP. (2)



TEST
PORT

1/2"-14 NPSM
(1/2" NPT
ALSO ACCEPTED)
WITH KNOCKOUT
TYP. (2)

4mm HEX
DRIVE

A

A

NOTE: DIMENSIONS FOR REFERENCE ONLY

REV.

1

MATERIAL			
FINISH			
TOLERANCES (UNLESS OTHERWISE SPECIFIED)			
FRACT.	.XX	.XXX	ANG.
+/- 0/00	+/- 0.01	+/- 0.005	+/- 0.5°
ALL DIMENSIONS IN INCHES UNLESS NOTED			

SCC Inc.
Elk Grove Village, IL 60007
PH# 224-366-8445

DESCRIPTION
**Electro-hydraulic Actuator for VGx
Series Valves**

ENGINEER	DRAWN BY	CHECKED BY	DATE ORIGINATED	SHEET	SCALE
	DAG		1/7/2013	1 of 1	1/3

This Drawing and all information contained in this Drawing is the Property of SCC Inc.

PART / DRAWING #
SKP55.01xU1

2

1