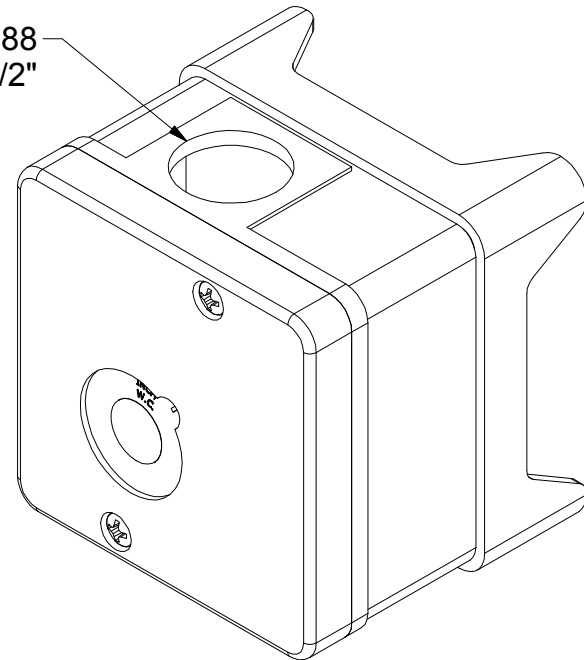


2

1

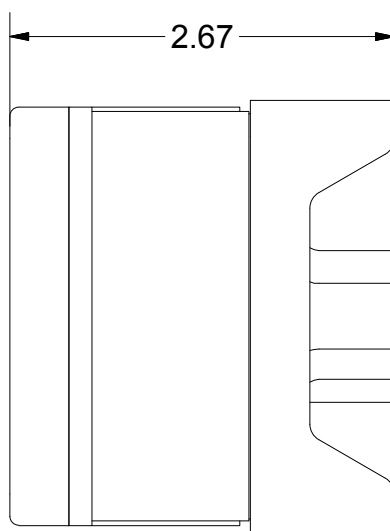
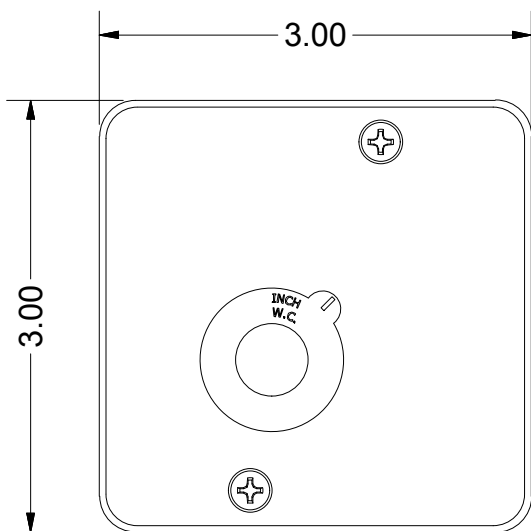
RECOMMENDED CONDUIT FITTING: 1/2"

Ø0.88



B

B



1/4" NPT
CENTERED ON BACK

A

A

REV.

1

NOTE: DIMENSIONS FOR REFERENCE ONLY

MATERIAL		SCC Inc. Elk Grove Village, IL 60007 PH# 224-366-8445			DESCRIPTION					
FINISH					Pressure Switch (Auto Reset)					
TOLERANCES (UNLESS OTHERWISE SPECIFIED)					ENGINEER	DRAWN BY	CHECKED BY	DATE ORIGINATED	SHEET	SCALE
FRACT.	.XX	.XXX	ANG.	ALL DIMENSIONS IN INCHES UNLESS NOTED		DAG		1/7/2013	1 of 1	3/4
<u>+/- 0/00</u>	<u>+/- 0.01</u>	<u>+/- 0.005</u>	<u>+/- 0.5°</u>		This Drawing and all information contained in this Drawing is the Property of SCC Inc.			PART / DRAWING # QPX31.xxxAxx		

2

1