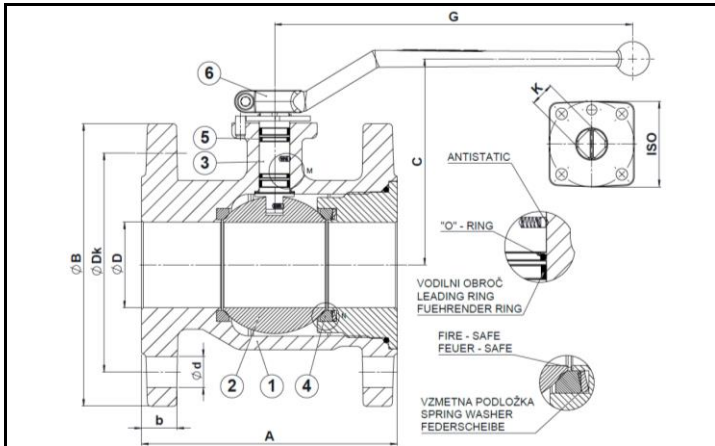
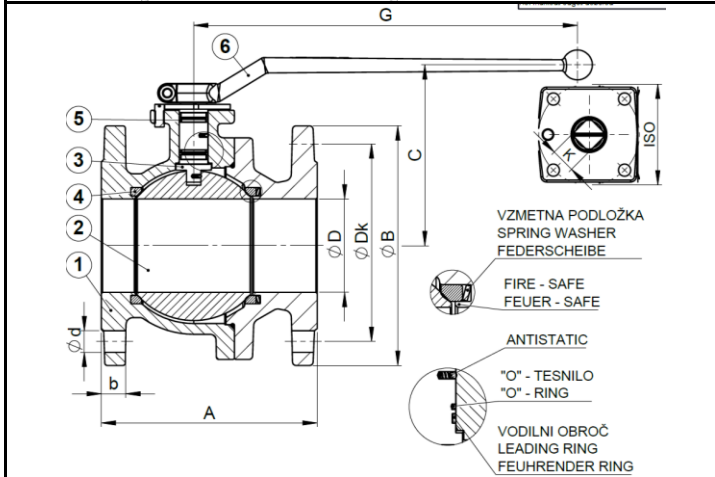


**BALL VALVE KPN-G - ISO  
FULL BORE, DN15–DN300**

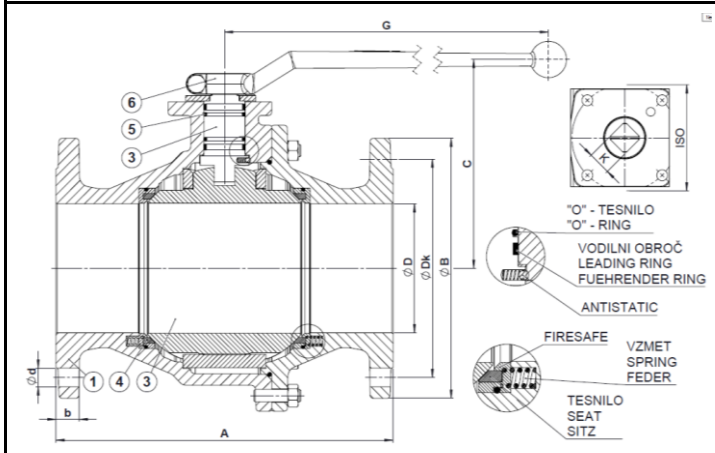
**GAS**



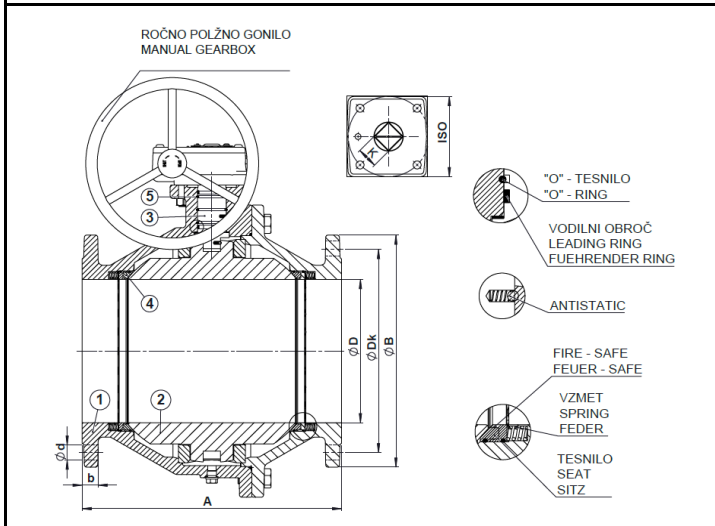
DN15–DN50



DN65–DN100



DN125–DN150



DN200–DN300



## Materials

1	Body	Ductile Iron – EN-GJS-400-15 (GGG40)
2	Ball	Stainless Steel – X5CrNi18-10 (A304)
3	Stem	Stainless Steel – X30Cr13 (A420)
4	Seats	PTFE
5	O-Ring	Viton
6	Handle	Forged Aluminium – Al6061, option S235JR (St 37-2)

**Working temperature: -20 °C/+60 °C**

## KPN-G DN ... PN16 DP VX PX - ISO



**PN16**

Art. nr.	DN	A	ØB	C	ØD	G	b	ØDk	Ød	Nr.	Top flange ISO	Shaft K x h	Weight (kg)
A950341	15	115	95	72	13	150	16	65	14	4	F04	□11 x 13,5	2,00
A950342	20	120	105	82	19,5	150	18	75	14	4	F04	□11 x 13,5	3,30
A950343	25	125	115	83	25	150	18	85	14	4	F04	□11 x 13,5	3,60
A950344	32	130	140	102	32	210	18	100	18	4	F04	□14 x 18	5,40
A950345	40	140	150	107	40	210	18	110	18	4	F05	□14 x 18	6,70
A950346	50	150	165	120,5	50	210	20	125	18	4	F05	□14 x 18	8,90
A950347	65	170	185	140	63,5	320	18	145	18	4	F07	□17 x 23	14,70
A950348	80	180	200	151	78	320	20	160	18	8	F07	□17 x 23	20,10
A950349	100	190	220	166	99	320	20	180	18	8	F07	□17 x 23	26,00
A950350	125	325	250	201	124	500	22	210	18	8	F10	□22 x 27	50,00
A950351	150	350	285	218	149	500	22	240	22	8	F10	□22 x 27	69,50
A950012	200	400	340	–	200	–	24	295	22	12	F12	□27 x 30	144,00
A950013	250	450	405	–	250	–	26	355	26	12	F14	□36 x 36	235,00
A950014	300	500	460	–	300	–	29	410	26	12	F14/16	□36 x 34	329,00

TRUNNION MOUNTED BALL

## KPN-G DN ... PN40 DP VX PX - ISO

**PN40**

Art. nr.	DN	A	ØB	C	ØD	G	b	ØDk	Ød	Nr.	Top flange ISO	Shaft K x h	Weight (kg)
A951101	15	115	95	72	13	150	16	65	14	4	F04	□11 x 13,5	2,00
A951102	20	120	105	82	19,5	150	18	75	14	4	F04	□11 x 13,5	3,30
A951103	25	125	115	83	25	150	18	85	14	4	F04	□11 x 13,5	3,60
A951104	32	130	140	102	32	210	18	100	18	4	F04	□14 x 18	5,40
A951105	40	140	150	107	40	210	18	110	18	4	F05	□14 x 18	6,70
A951106	50	150	165	120,5	50	210	20	125	18	4	F05	□14 x 18	8,90
A951107	65	170	185	140	63,5	320	18	145	18	8	F07	□17 x 23	14,70
A951108	80	180	200	151	78	320	20	160	18	8	F07	□17 x 23	20,10
A951229	100*	190	235	166	99	445	20	190	22	8	F07	□17 x 23	*39,00

## Notes

Face to face dimensions conform to DIN3202 F18.

DN50 to DN300 with spring loaded washers.

DN200 – DN300 are with manual gearbox.

HTB from DN25 to DN100.

Antistatic and fire safe design.

\*Body made of Carbon Steel – A105.



Ball valves for oxygen available upon request.