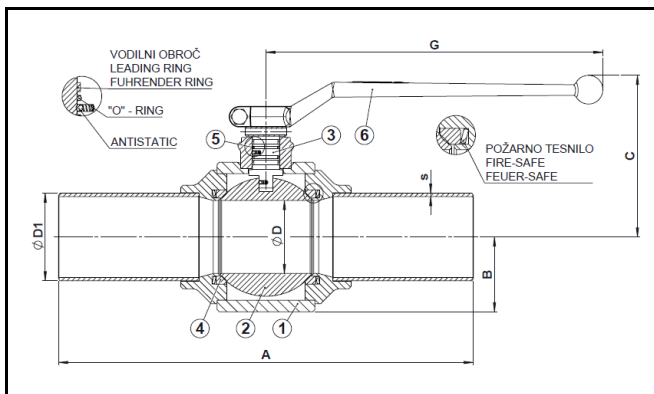
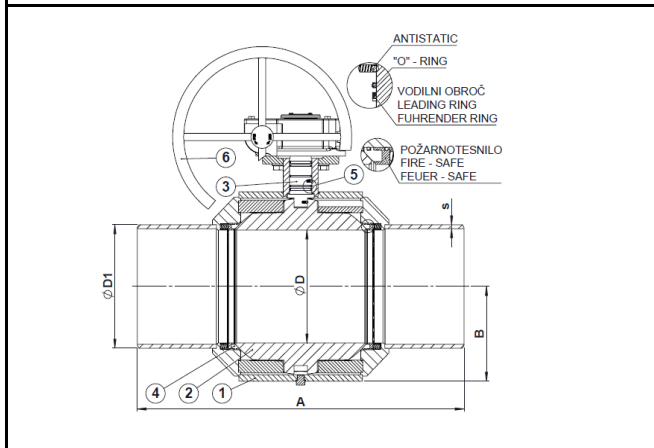


BALL VALVE KPV-G, WELDED
FULL BORE, DN25–DN400

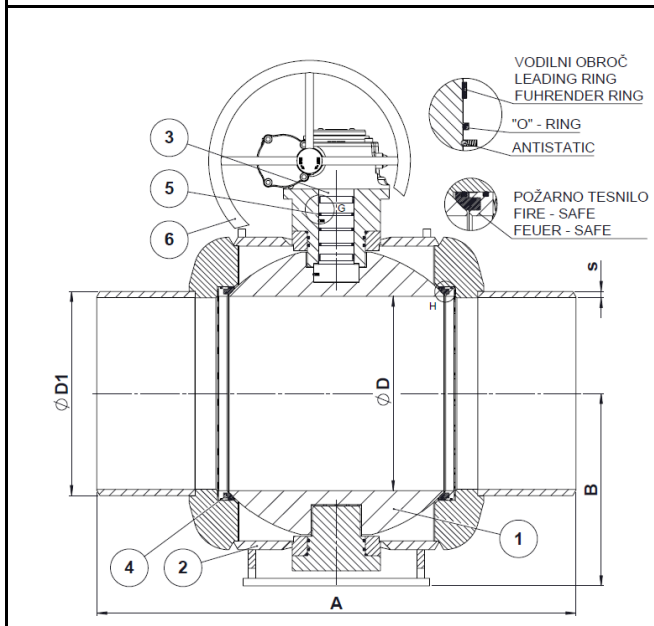
GAS



DN25–DN125



DN150–DN300



DN350–DN400



Materials

1	Body	Carbon Steel – A105, P235TR2
2	Ball	Stainless Steel – X5CrNi18-10 (A304)
3	Stem	Stainless Steel – X30Cr13 (A420)
4	Seats	PTFE**
5	O-Ring	Viton
6	Handle	Forged Aluminium – Al6061, option S235JR (St 37-2)

Working temperature -20 °C / +60 °C (Temperature below -20 °C contact manufacturer)



PN40

KPV-G DN ... PN40 DU VX PX

Art. nr.	DN	A	B	C	ØD	ØD1	G	s	Weight (kg)
A957123	25	270	33	76	25	33,7	158	2,6	3,00
A957124	32	270	35	108	32	42,4	180	2,6	4,50
A957125	40	270	41	114	40	48,3	180	2,6	5,00
A957126	50	300	50	128	50	60,3	222	2,9	9,00
A957127	65	360	65	160	63,5	76,1	293	2,9	14,00
A957128	80	390	75	170	78	88,9	293	3,2	19,00
A957129	100	450	93	185	99	114,3	415	3,6	22,70
A957130	125	525	115	260	124	139,7	518	4,0	44,60
A957131	150	600	135	277	149	168,3	–	4,5	89,00
A957132	200	600	176	–	200	219,1	–	6,3	149,00
A957145	250/200*	730	176	–	200	273,0	–	7,1	153,00
A957147	250	730	209,5	–	250	273,0	–	8,8	234,00
A957148	300	850	254	–	300	323,9	–	8,8	361,00
A957159	350	850	350	–	334	368,0	–	12,5	537,40
A957160	400	950	383	–	387	406,4	–	12,5	759,40

TRUNNION MOUNTED BALL

Notes

Face to face dimensions according to DIN3202 S14 long.

Face to face dimensions for DN350 and DN400 according to DIN3202 S9 long.

DN50 to DN400 with spring loaded washers.

DN150 to DN400 are with the manual gearbox.

Antistatic and fire safe design.

*DN250 – reduced bore.

**DN150 – DN400 have seals with 15% graphite.



Ball valves for oxygen available upon request.



ANSI Class 300

KPV-G DN ... AN300 DU VX PX

Št. art.	DN	A	B	C	ØD	ØD1	G	s	Teža (kg)
A956153	25	216	33	76	25	33,7	158	2,6	2,00
A956154	32	216	35	108	32	42,4	180	2,6	2,50
A956155	40	216	41	114	40	48,3	180	2,6	3,10
A956156	50	216	50	128	50	60,3	222	2,9	4,20
A956157	65	241	65	160	63,5	76,1	293	2,9	8,70
A956158	80	283	75	170	78	88,9	293	3,2	11,80
A956159	100	305	93	185	99	114,3	415	3,6	21,10
A956160	125	381	115	260	124	139,7	518	4,0	50,30
A956161	150	457	135	277	149	168,3	–	4,5	71,10
A956162	200	521	176	–	200	219,1	–	6,3	125,60
A956163	250	559	209,5	–	250	273,0	–	8,8	209,50
A956164	300	635	254	–	300	323,9	–	8,8	335,50

TRUNNION MOUNTED BALL

Notes

DN150 to DN300 are with the manual gearbox.

Antistatic and fire safe design.

**DN150 – DN400 have seals with 15% graphite.



Ball valves for oxygen available upon request.



POLIX
ŽIRI