



Description

General Purpose Pressure Gauges are designed for pressure measurements in different industrial applications where high accuracy is not needed. General Purpose Pressure Gauges have various case designs and wide pressure measurement range and are all compatible with process fluids that do not attack copper alloys.

Industrial Applications

Water&Waste-Water treatment plants, machine building, HVAC systems, hydraulic and pneumatics, process lines

General Specifications

Conformity:

EN 837-1

Gauge Sizes (mm):

Ø40, Ø50, Ø63, Ø100

Unit:

bar/psi

Measurement Ranges :

Ø40 : -1/0, 0/1...400 bar (-15/0, 0/15...6000 psi)
Ø50, Ø63, Ø100 : -1/0, 0/0,6...600 bar (-15/0, 0/9...9000 psi)
 Equivalent compound gauges.

Accuracy Class:

Cl 2.5 (Optional: Cl1.6)

Working Pressure:

75% of Full Scale

Overpressure Resistance:

1.25xFull Scale (Up to 100 bar)
 1.15xFull Scale (From 100 bar to 600 bar)
 1.1xFull Scale (Over 600 bar)

Ingress Protection Rate: IP41

Versions: Standard

Working Temperature Range:

Ambient: -20°C...60°C
 Process: -20°C...60°C

Process Connections:

Ø40 : G1/8" B
Ø50 : G1/4" B, G1/8" B
Ø63 : G1/4" B
Ø100 : G1/2" B, G1/4" B

Materials:

Bourdon Tube:

Copper Alloy

Socket:

Brass

Case:

Black Painted Metal, Plastic (Black)

Cover:

Ø100mm: Black Painted Metal

Movement:

Brass

Window:

Ø40, Ø50, Ø63: Acrylic
 Ø100: Glass (Opt: Acrylic)

Dial:

Aluminium

Pointer:

Plastic

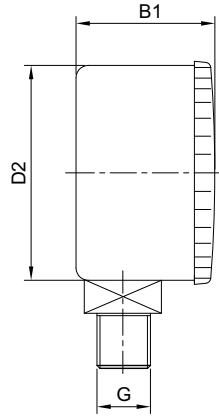
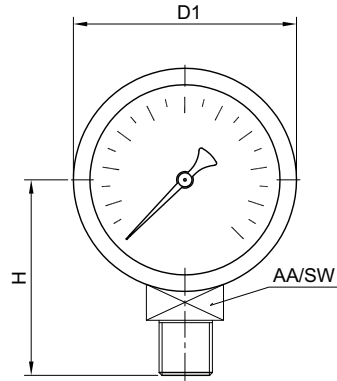
(Ø50, Ø63, Ø100 Optional Aluminium)

Options:

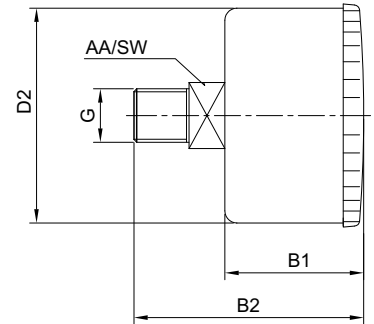
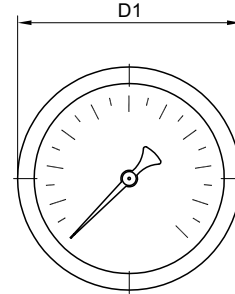
Other Process Connections
 Other Pressure Units
 Special Dial Design
 Dampened Movement (Vib-Lock)
 Silver Brazed
 Coated Case and Pressure Sensing Element
 Nitrogen (N) Dial
 Oxygen (O) Dial
 Argon (Ar) Dial

Dimensions (mm)

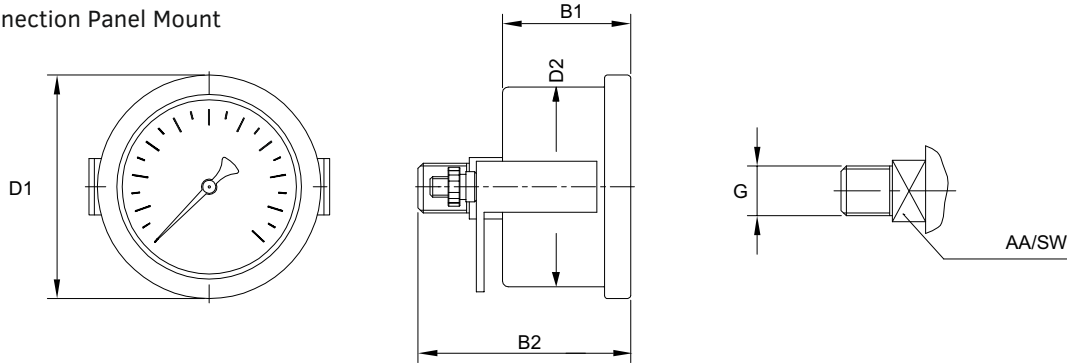
01-Bottom Connection



02-Back Connection

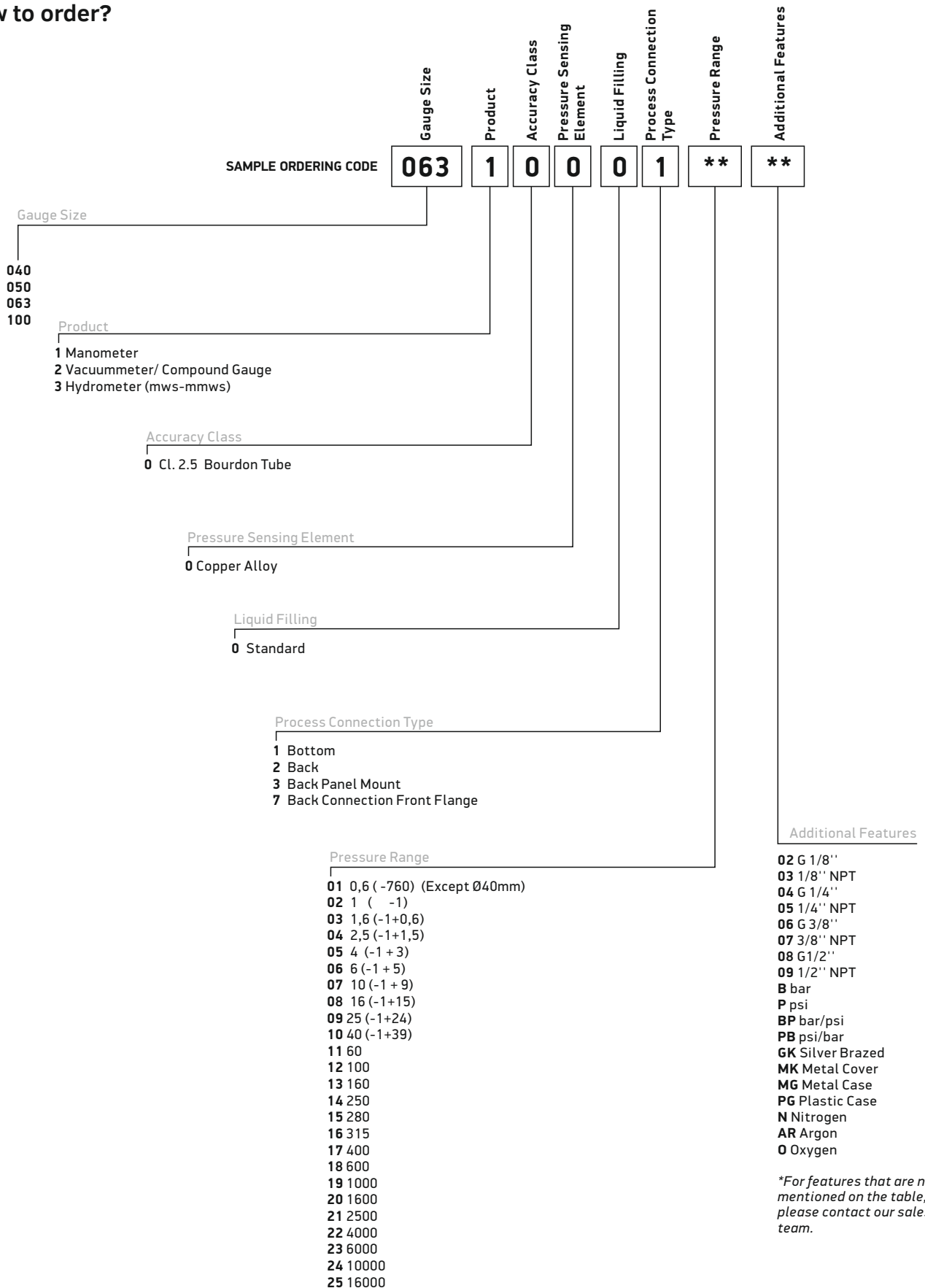


03-Back Connection Panel Mount



∅	Connections	Version	Case	Window	Cover	D1	D2	B1	B2	H	G	SW
40	Bottom	Standard	Metal	Acrylic	-	40,5	39	24	-	35,5	G1/8"	12
		Optional	Plastic	Acrylic	-	40,5	40	24	41	-	G1/8"	12
	Back	Standard	Metal	Acrylic	-	40,5	39	24	40,5	-	G1/8"	12
		Optional	Plastic	Acrylic	-	40,5	40	24	41	-	G1/8"	12
	Back Panel Mount	Standard	Metal	Acrylic	Metal	43	39	24,5	41,5	-	G1/8"	12
50	Bottom	Standard	Plastic	Acrylic	-	49,2	49,8	29	-	46,8	G1/4"	14
		Optional	Metal	Acrylic	-	49,2	49,2	29	-	44	G1/4"	14
	Back	Standard	Plastic	Acrylic	-	49,2	49,8	29	51,5	-	G1/8"	14
		Optional	Metal	Acrylic	-	49,2	48	29	51,5	-	G1/8"	14
		Back Panel Mount	Standard	Metal	Acrylic	Metal	56	50	15	50,5	-	G1/4"
63	Bottom	Standard	Metal	Acrylic	-	62,3	62	28	-	55	G1/4"	14
		Optional	Plastic	Acrylic	-	62,3	62,3	31	-	55	G1/4"	14
			Metal	Acrylic	Metal	63	62	27	-	53	G1/4"	14
	Back	Standard	Metal	Acrylic	-	62,3	62	30	-	52,8	G1/4"	14
		Optional	Plastic	Acrylic	-	62,3	62,6	30,5	52	-	G1/4"	14
			Metal	Acrylic	Metal	63	62	30	50	-	G1/4"	14
		Back Panel Mount	Standard	Metal	Acrylic	Metal	68	62	29	49	-	G1/4"
100	Bottom	Standard	Metal	Glass	Metal	100	98,5	32,5	-	84	G1/2"	22
		Optional	Metal	Acrylic	-	98,8	98,5	32	-	84	G1/2"	22
	Back	Standard	Metal	Glass	Metal	100	98,5	32,5	55	-	G1/4"	14

How to order?



Approvals:



Turkish Standards Institution

EN ISO 9001

ISO 9001 Quality Management System



TURKAK Calibration Laboratory Accreditation Certificate

13 EN ISO/IEC 17025
AB-0009-K



2014/68/EU Pressure Equipment Directive - Certificate of Conformity

RoHS

211/65/EU Restriction of Hazardous Substances Directive - Declaration of Conformity



Gost Certificate

*System and quality certifications of PAKKENS Inc.
Product and product group certifications may vary*