



Description

Liquid Filled Accurate Pressure Gauges are designed for pressure measurements in different industrial applications where high accuracy is needed. Liquid filled accurate pressure gauges have various case designs and wide pressure measurement ranges and are all compatible with process fluids that do not attack Copper Alloys and AISI 316L. The filling liquid used in the products lessens the effects of high dynamic pressure loads and vibration to the pressure gauge.

Industrial Applications

Water&Waste-Water treatment plants, machine building, HVAC systems, hydraulic and pneumatics, process lines

General Specifications

Confirmity:

EN 837-1

Sizes (mm):

Ø100, Ø160

Unit:

bar/psi

Measurement Ranges:

-1/0, 0/0.6...600 bar (-15/0, 0/9...9000 psi)
Equivalent compound gauge scales

Accuracy Class:

CL 1.0

Working Pressure:

75% of Full Scale

Overpressure Resistance:

1.25xFull Scale (Up to 100 bar)
1.15xFull Scale (From 100 bar to 600 bar)
1.1xFull Scale (Over 600 bar)

Ingress Protection Rate:

IP65

Versions:

Fillable
Liquid-Filled : Glycerin (Optional: Silicone Oil)

Working Temperature Range:

Ambient: -20°C...60°C
Process: -20°C...60°C

Process Connections:

G1/2"B

Materials:

Bourdon Tube:

Copper Alloy (Up to 100 bar)
AISI 316L (Over 100 bar)

Socket:

Brass

Case:

AISI 304

Cover:

AISI 304

Movement:

Brass (Between -1/0..1,6 bar Stainless Steel)

Window:

Safety Glass

Dial:

Aluminium

Pointer:

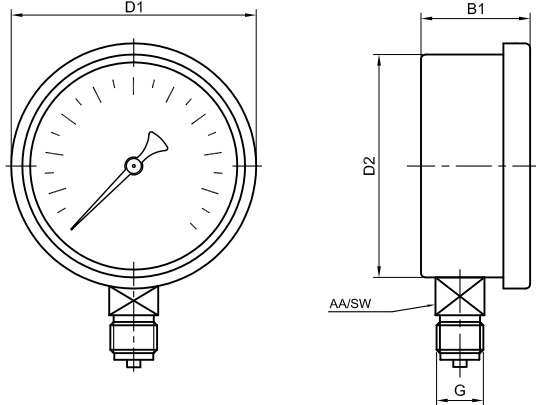
Aluminium

Options:

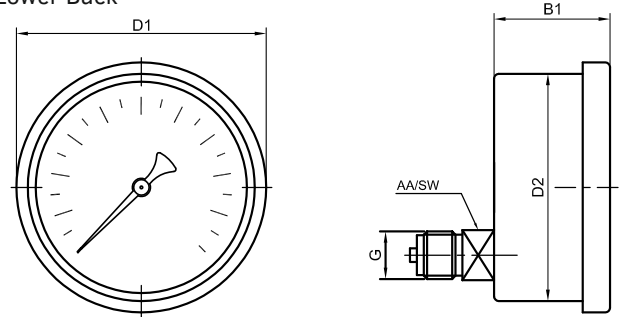
Other Process Connections
Other Pressure Units
Adjustable Pointer
Special Dial Design
Silver Brazed
Coated Pressure Sensing Element
Nitrogen (N) Dial
Oxygen (O) Dial
Argon (Ar) Dial

Dimensions (mm)

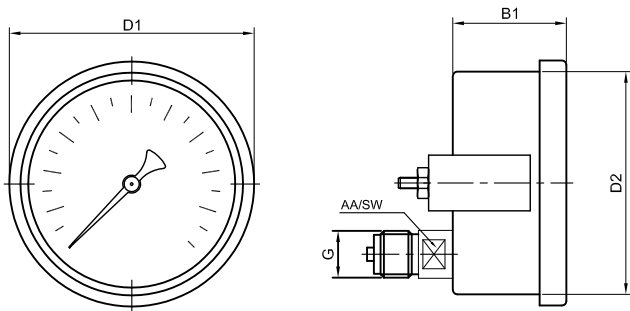
01-Bottom Connection



02-Lower Back

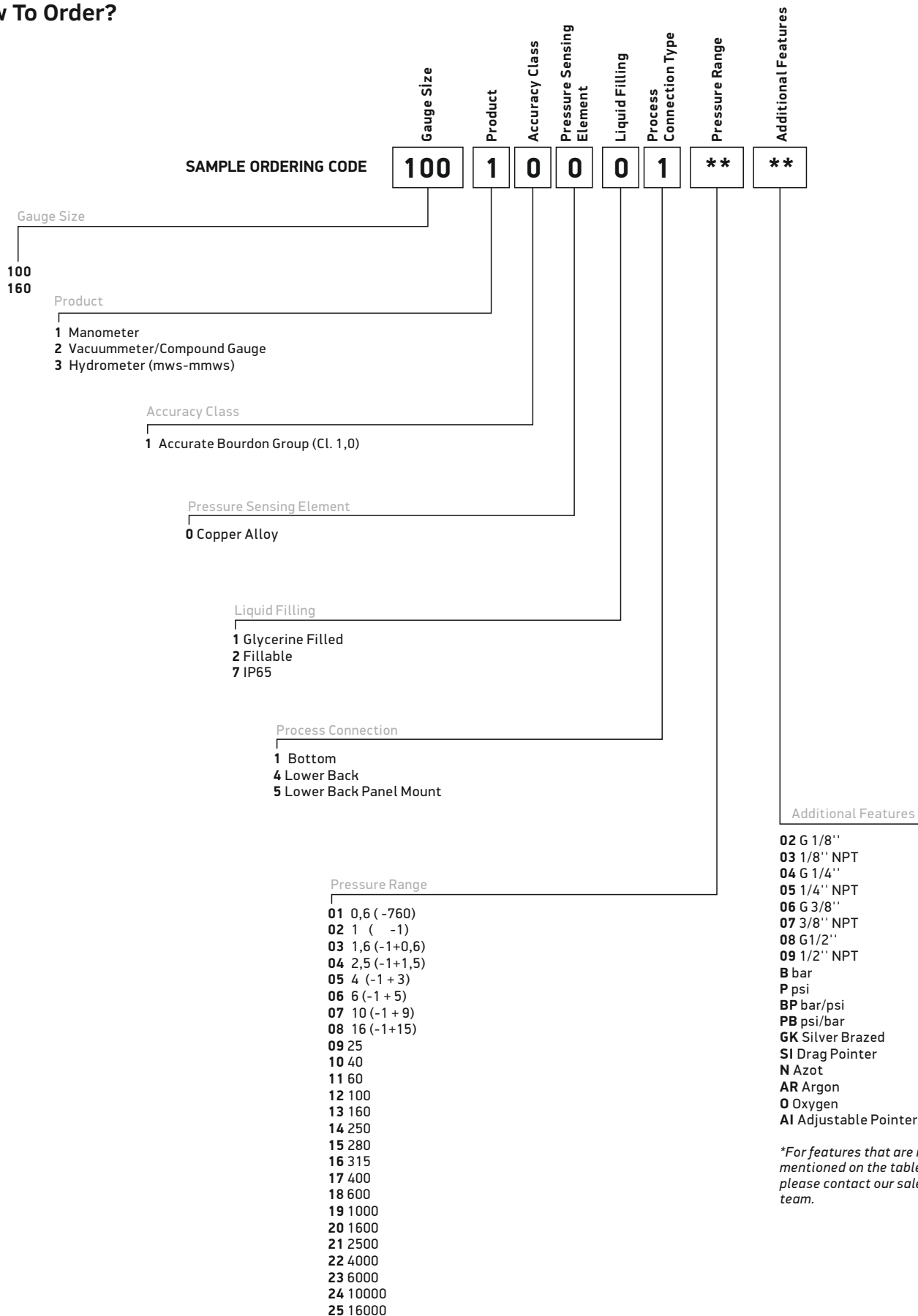


03- Lower Back Panel Mount



Ø	Connections	Version	Case	Window	Cover	D1	D2	B1	G	AA/SW
Ø100	Bottom	Standard	AISI304	Glass	AISI304	110	100	48	G1/2"	22
	Lower Back	Standard	AISI304	Glass	AISI304	110	100	48	G1/2"	22
	Lower Back Panel Mount	Standard	AISI304	Glass	AISI304	110	100	48	G1/2"	22
Ø160	Bottom	Standard	AISI304	Glass	AISI304	174	158	48	G1/2"	22
	Lower Back	Standard	AISI304	Glass	AISI304	174	158	48	G1/2"	22
	Lower Back Panel Mount	Standard	AISI304	Glass	AISI304	174	158	48	G1/2"	22

How To Order?



Approvals:



Turkish Standards Institution



ISO 9001 Quality Management System



TURKAK Calibration Laboratory Accreditation Certificate



2014/68/EU Pressure Equipment Directive - Certificate of Conformity



211/65/EU Restriction of Hazardous Substances Directive - Declaration of Conformity



Gost Certificate



2104/34/EU Equipment and Protective Systems Intended for use in Potentially Explosive Atmospheres - Certificate of Conformity

*System and quality certifications of PAKKENS Inc.
Product and product group certifications may vary*