



## Pressure Gauges - DG 100 / 0591

- Used for measuring difference between two separate pressure sources.
  - Used with gas and liquids which do not attack stainless steel 316L.
  - AISI 316 Stainless steel case and block.
  - Filter clogging, flow rate and liquid level can be monitored.
  - In vibrating environments or with pulsating pressures liquid filled types should be used.
- Industry Sector: Petro-chemical plants, Mining industry, Water treatment plants and Hydraulics systems.



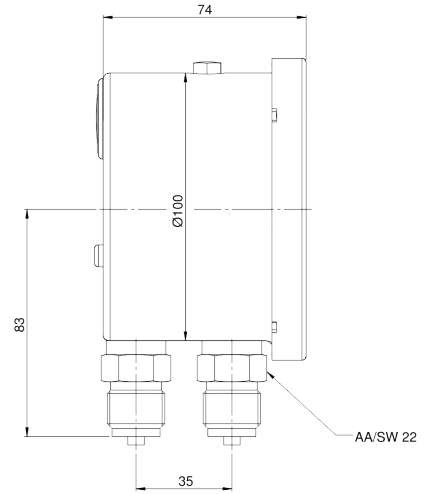
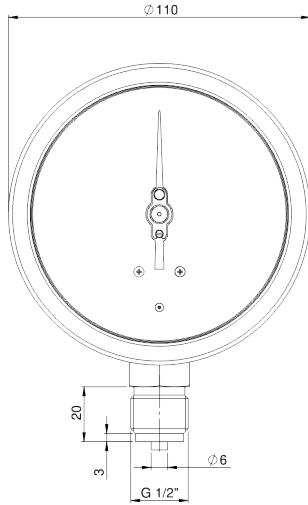
### Usage Properties

Operating Pressure (max.)	· Full Scale Value x1,3
Conformity	· EN 837 - 1
Accuracy Class	· CL 1.6
Ambient Temperature	· - 20 ... + 60 °C
Protection Rate	· IP 65
Mechanical Vibration Test	· 10Hz-150Hz 1 Octave/minute - 3 axis
Mechanical Shock Test Load	· 15g
Optimum Operating Range	· Between 0,0 x PN and 1,0 x PN
Fluid Temperature	· Maximum + 100 °C
Storage Temperature	· -40 ... +70 °C

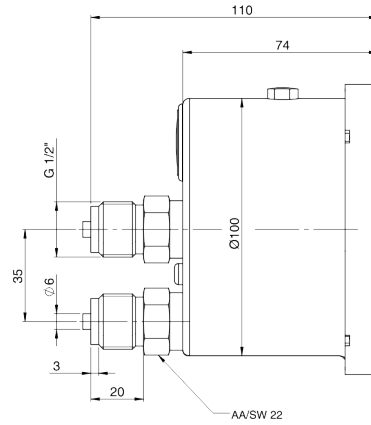
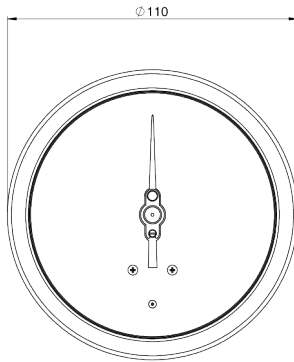
### Constructive Properties

Mounting Type	· Bottom Connection
Scale Unit	· mbar
Scale Range (PN)	· 0/25 · 0/40 · 0/60 · 0/100 · 0/160 · 0/250 · 0/400 · 0/600 · 0 - 1000
Case	· Stainless Steel AISI-304
Bezel	· Stainless Steel AISI-304
Movement	· Stainless Steel AISI-304
Window	· Safety Glass
Wetted Parts	· Stainless Steel AISI-316L
Connection	· G 1/2" B
Dial	· Aluminum
Pointer	· Adjustable Aluminum
Welding	· TIG Welding

**Technical Drawings - DG 100 / 0591**



DG 100 / 0591 /



DG 100 / 0591 /