



Diaphragm Seal Systems - SH 0526

- This type gauges have horizontal pressure element and also called Schaffer type.
- Horizontal Diaphragm (Schaeffer type) gauges are used to measure low pressure or low vacuum.
- Diaphragm is directly connected to movement, gauge readouts are swift and stable when compared to Bourdon tubed gauges
- All diaphragm groups are manufactured from AISI 316L. Hastelloy C276 or Monel 400 diaphragms can be manufactured upon request
- Diaphragm can be PTFE coated on request
- Diaphragm Separated types should be used if the process fluids are highly viscous, corrosive or cloggable,
- Highly suitable for pressure measurement of viscous fluids or crystallisable mediums.
- Diaphragm groups which are used to measure low pressures.
- Can not be used in vibrating environments or with pulsating pressures.

Industry Sector: Petro-chemical plants, Mining industry, Machinery Manufacturing and Hydraulics/Pneumatics



Usage Properties

Operating Pressure (max.)	· Must not exceed full scale.
Conformity	· EN 837 - 3
Accuracy Class	· CL 1.6
Protection Rate	· IP 65
Fluid Temperature	· Maximum + 120 °C
Ambient Temperature	· - 20 ... + 60 °C
Storage Temperature	· -40 ... +70 °C

Constructive Properties

Process Connection	· Flange Connection
Scale Unit	· bar
Scale Range (PN)	· 0/0,6 · 0/1 · 0/1,6 · 0/2,5 · 0/4 · 0/6 · 0/10 · 0/16 · 0/25
Diaphragm Body	· Stainless Steel AISI-316L
Diaphragm	· ≤2,5 bar AISI 316L · ≥4 bar Duratherm
Case	· Stainless Steel AISI-316L
Bezel	· Stainless Steel AISI-316L
Movement	· Stainless Steel
Window	· Safety Glass
Dial	· Aluminum
Pointer	· Aluminum
Nominal Diameter	· Ø100 mm · Ø160 mm
Nuts & Bolts	· Stainless Steel

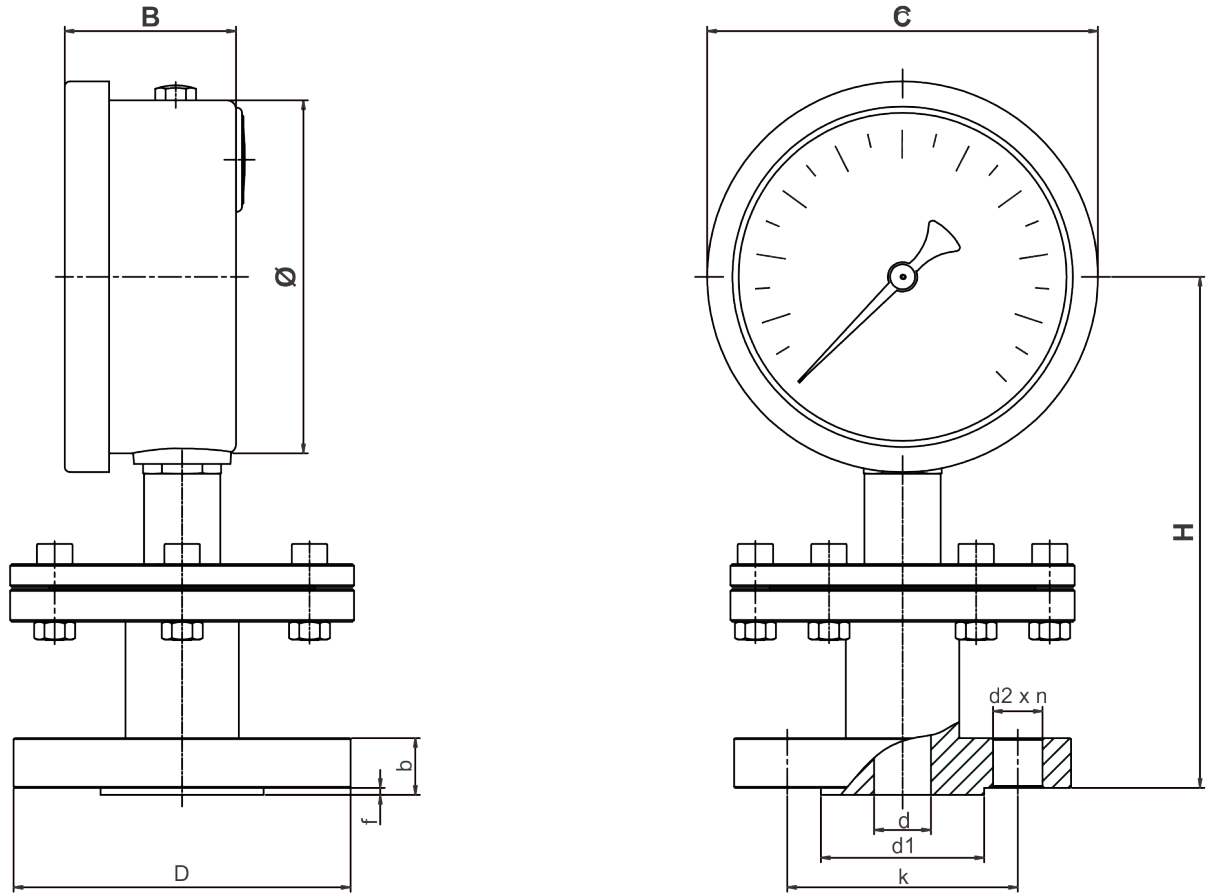
Constructive Properties


Sealing · Viton

Contact Types

Flange Size · DN 15 · DN 20 · DN 25 · · DN 40 · DN 50

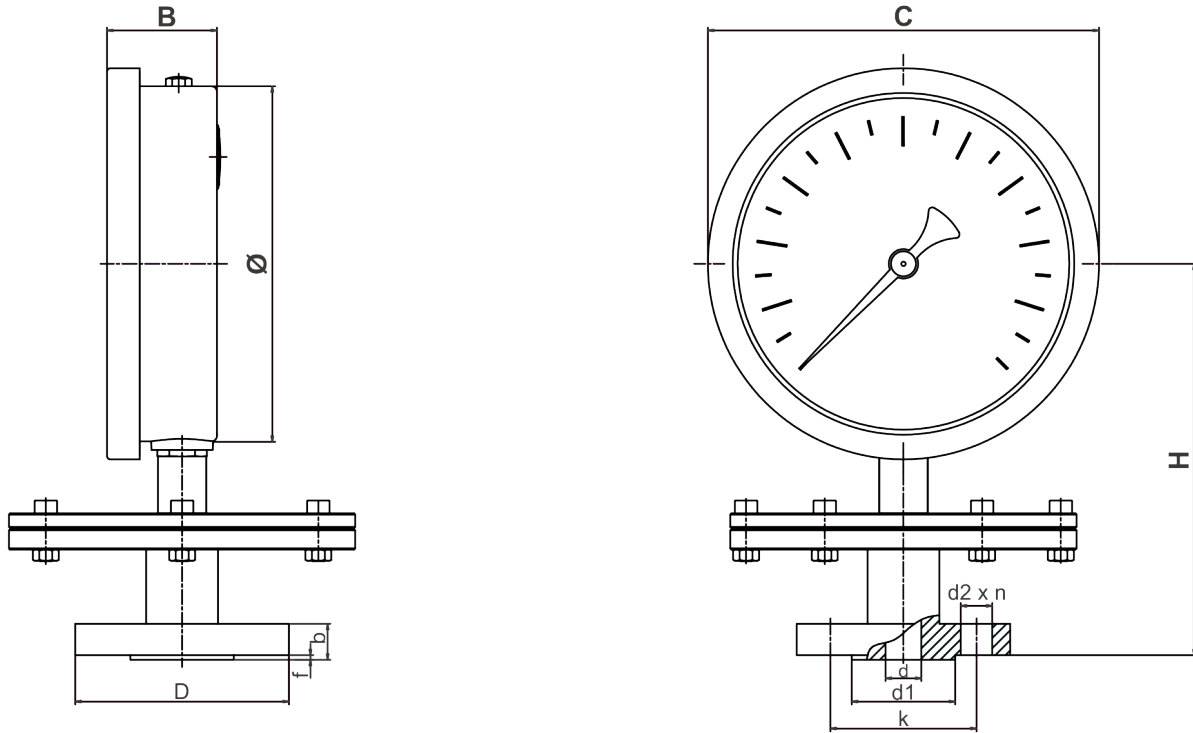
Technical Drawings - SH 0526




 Ø	H	B	C	DN	Model#
100	144	48,5	110	15	0526 210
				20	0526 220
				25	0526 230
				32	0526 240
				40	0526 250
				50	0526 260
160	174	49	174	15	0526 212
				20	0526 222
				25	0526 232
				32	0526 242
				40	0526 252
				50	0526 262

DN	d	D	b	k	d ₁	f	d ₂ x n
15	16	95	16	65	45	2	14 x 4
20	20,5	105	18	75	58	2	14 x 4
25	25	115	18	85	68	2	14 x 4
32	32	140	18	100	78	2	18 x 4
40	40	150	18	110	88	3	18 x 4
50	61	165	20	125	102	3	18 x 4

Technical Drawings - SH 0526



 Ø	H	B	C	DN	Model#
100	144	48,5	110	15	0524 210
				20	0524 220
				25	0524 230
				32	0524 240
				40	0524 250
				50	0524 260
160	174	49	174	15	0524 212
				20	0524 222
				25	0524 232
				32	0524 242
				40	0524 252
				50	0524 262

DN	d	D	b	k	d ₁	f	d ₂ x n
15	16	95	16	65	45	2	14 x 4
20	20,5	105	18	75	58	2	14 x 4
25	25	115	18	85	68	2	14 x 4
32	32	140	18	100	78	2	18 x 4
40	40	150	18	110	88	3	18 x 4
50	61	165	20	125	102	3	18 x 4