



Diaphragm Seal Systems - SH 0532

- This type gauges have horizontal pressure element and also called Schaffer type.
- Horizontal Diaphragm (Schaeffer type) gauges are used to measure low pressure or low vacuum.
- Diaphragm is directly connected to movement, gauge readouts are swift and stable when compared to Bourdon tubed gauges
- All diaphragm groups are manufactured from AISI 316L. Hastelloy C276 or Monel 400 diaphragms can be manufactured upon request
- Diaphragm can be PTFE coated on request
- Diaphragm Separated types should be used if the process fluids are highly viscous, corrosive or cloggable,
- Highly suitable for pressure measurement of viscous fluids or crystallisable mediums.
- Diaphragm groups which are used to measure low pressures.
- Can not be used in vibrating environments or with pulsating pressures.

Industry Sector: Petro-chemical plants, Mining industry, Machinery Manufacturing and Hydraulics/Pneumatics



Usage Properties

| | |
|---------------------------|-------------------------------|
| Operating Pressure (max.) | · Must not exceed full scale. |
| Conformity | · EN 837 - 3 |
| Accuracy Class | · CL 1.6 |
| Protection Rate | · IP 65 |
| Fluid Temperature | · Maximum + 120 °C |
| Ambient Temperature | · - 20 ... + 60 °C |
| Storage Temperature | · -40 ... +70 °C |

Constructive Properties

| | |
|--------------------|--|
| Process Connection | · Flange Connection |
| Scale Unit | · bar |
| Scale Range (PN) | · 0/0,6 · 0/1 · 0/1,6 · 0/2,5 · 0/4 · 0/6 · 0/10 · 0/16 · 0/25 |
| Diaphragm Body | · Stainless Steel AISI-316L |
| Diaphragm | · ≤2,5 bar AISI 316L · ≥4 bar Duratherm |
| Case | · Stainless Steel AISI-316L |
| Bezel | · Stainless Steel AISI-316L |
| Movement | · Stainless Steel |
| Window | · Safety Glass |
| Dial | · Aluminum |
| Pointer | · Aluminum |
| Nominal Diameter | · Ø100 mm · Ø160 mm |
| Nuts & Bolts | · Stainless Steel AISI-304 |

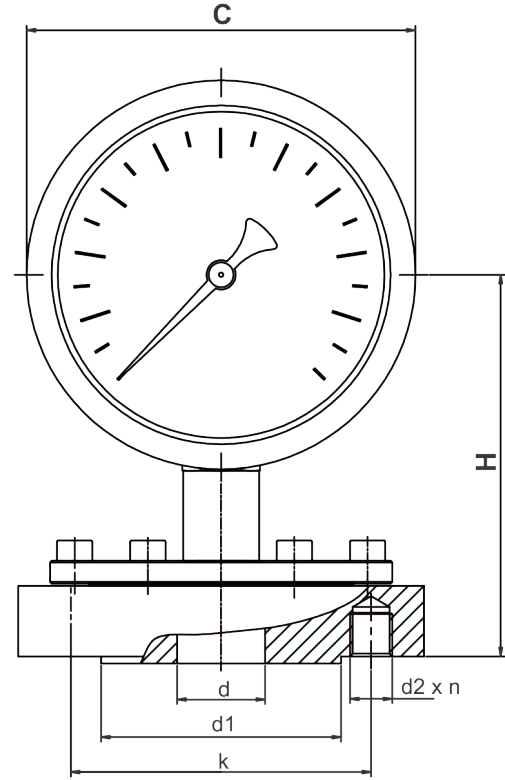
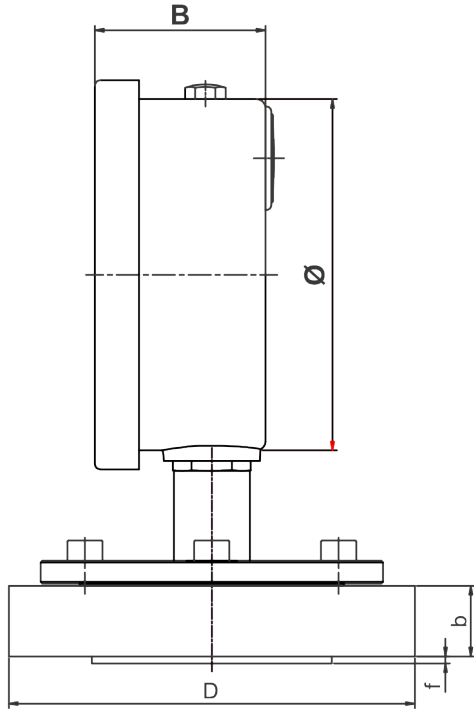
Constructive Properties


Sealing · Viton

Contact Types

Flange Size · DN 25

Technical Drawings - SH 0532



|  Ø | H | B | C | DN | Model# | | |
|---|-----|------|-----|----|----------------|---|--------------------|
| 100 | 108 | 48,5 | 110 | 25 | 0532 23 | | |
| 160 | 138 | 49 | 174 | 25 | | | |
| DN | d | D | b | k | d ₁ | f | d ₂ x n |
| 25 | 25 | 115 | 22 | 85 | 68 | 2 | M12 x 4 |