

# OXYGEN MEASUREMENT IN HEAT TREATMENT FURNACES



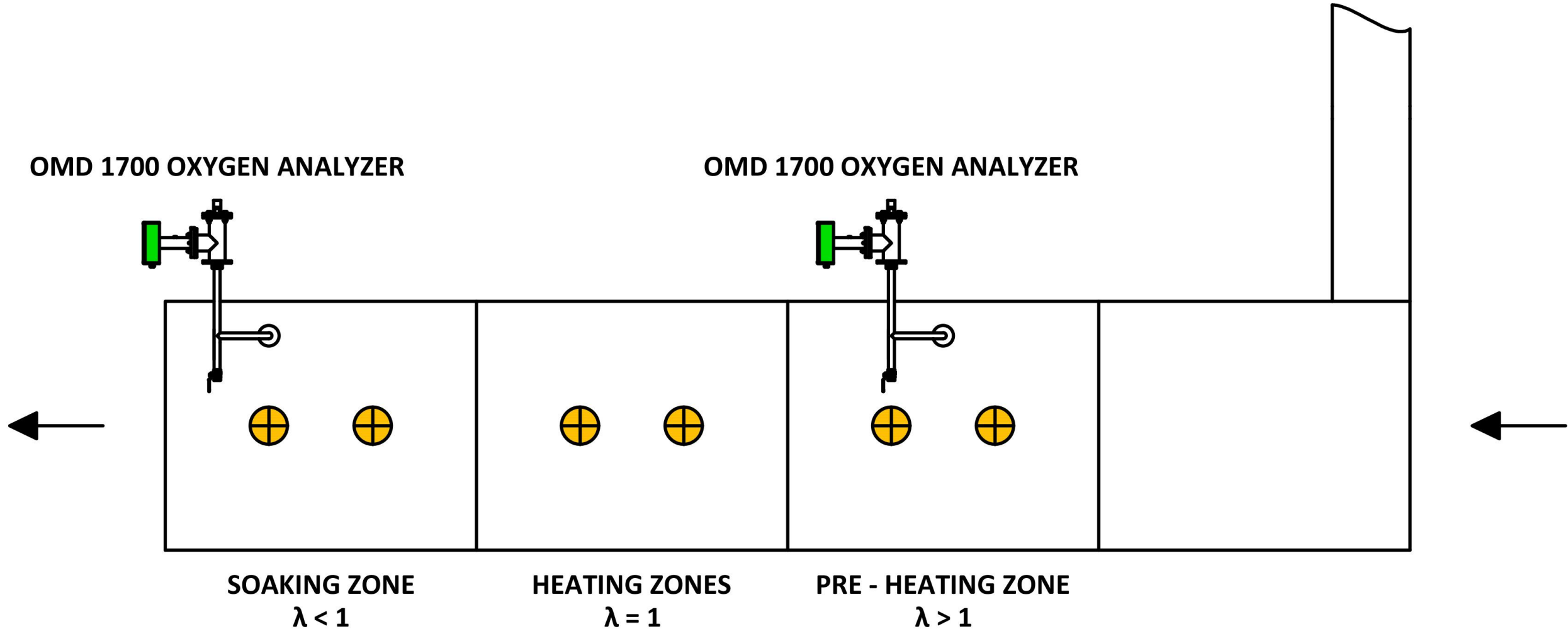
UNI SENSOR OMD 1700 Oxygen Analyzer is an In-Situ type Oxygen analyzer which is used to optimize combustion by measuring the Oxygen levels inside the flue gases.

With measuring Oxygen levels, fuel/air ratios of the burners are adjusted or Oxygen trim control is made. **Significant amount of fuel savings, reduction in flue gas emissions and increase in plant service life are achieved.**

- ✓ Long Service Life
- ✓ Proper Prices
- ✓ Delivery From Stock



# OXYGEN MEASUREMENT IN HEAT TREATMENT FURNACES



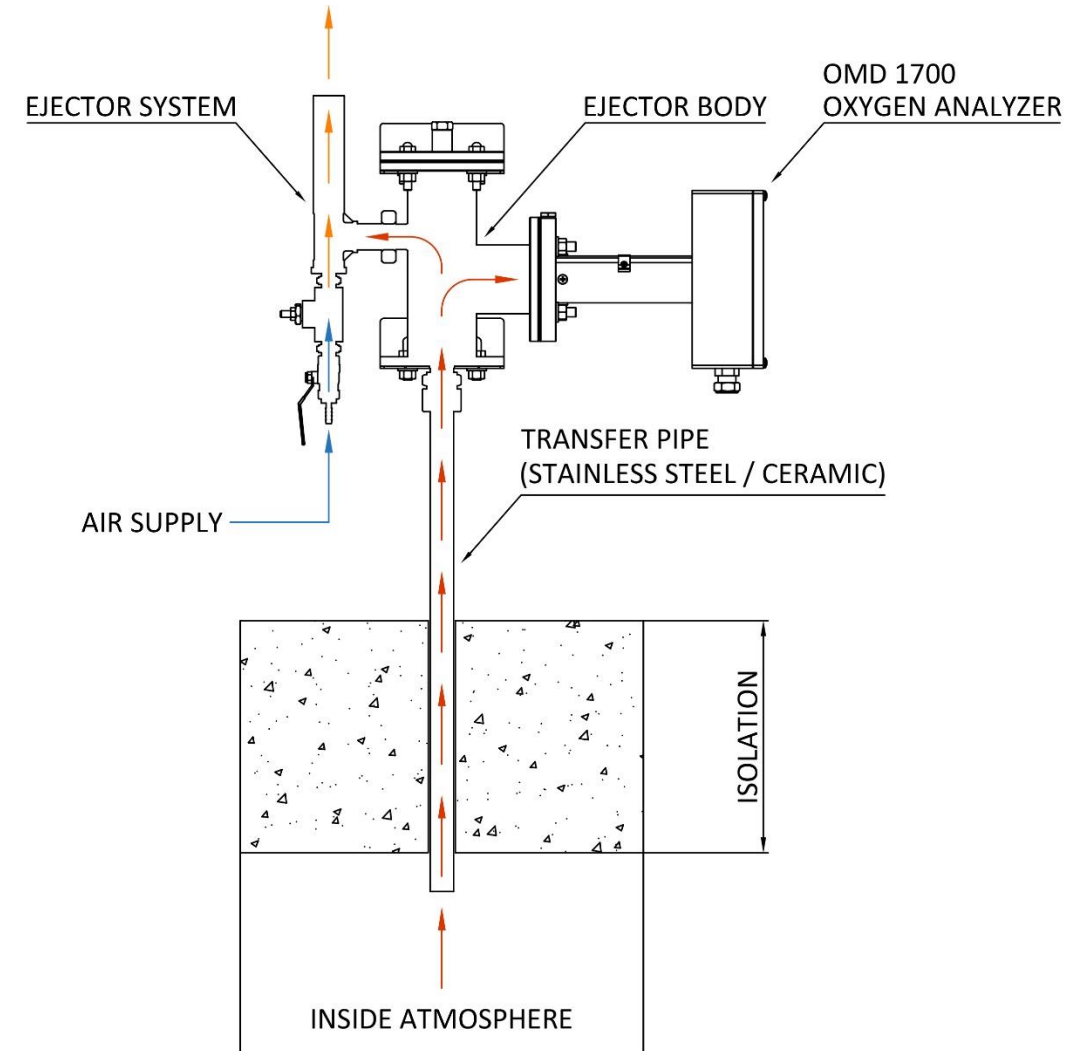
# WORKING PRINCIPLE

## OMD 1700 OXYGEN ANALYZER



OMD 1700 Oxygen Analyzer works with a Zirconium Dioxide (ZrO<sub>2</sub>) Oxygen Sensor. Integrated ejector system directs the flue gases towards the sensor. Sensor measures the Oxygen levels and transmit them to other systems via 4 - 20 mA output signal.

|                             |                         |
|-----------------------------|-------------------------|
| <b>Measuring Range:</b>     | 0 - 25 % O <sub>2</sub> |
| <b>Power Supply:</b>        | 24 V DC, 3A             |
| <b>Output Signal:</b>       | 4 - 20 mA               |
| <b>Ambient Temperature:</b> | -10 .. 50 °C            |
| <b>Accuracy:</b>            | 1 %                     |
| <b>Reaction Time:</b>       | < 4 s                   |
| <b>Manual Calibration:</b>  | Available               |



# AVAILABLE MODELS FOR HEAT TREATMENT FURNACES

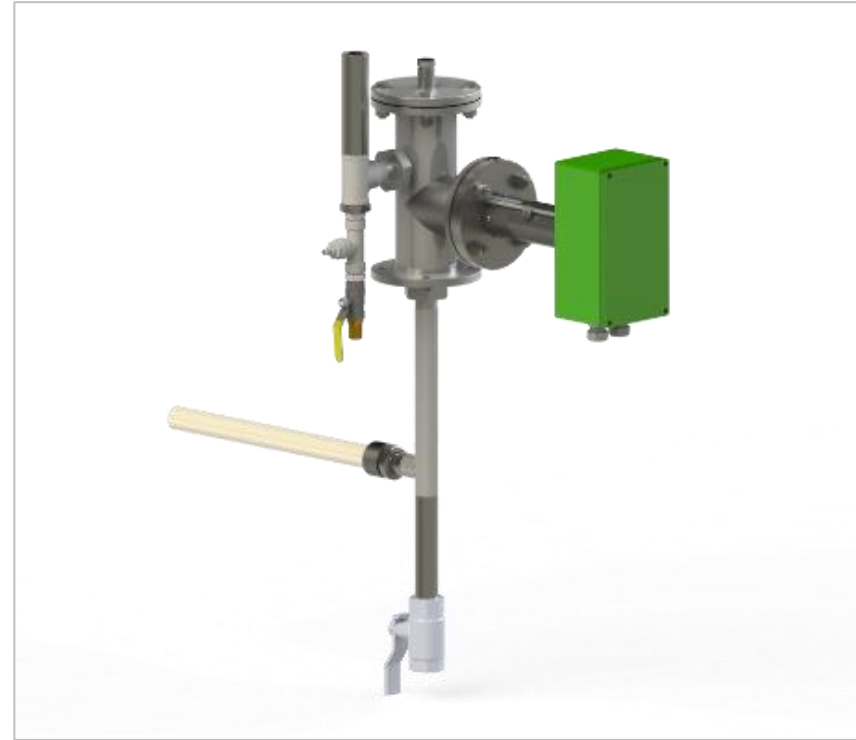


**OMD 1700 - SS**

*Ejector System*

*Stainless Steel Transfer Pipe*

*Max. 900 °C*



**OMD 1700 - CER**

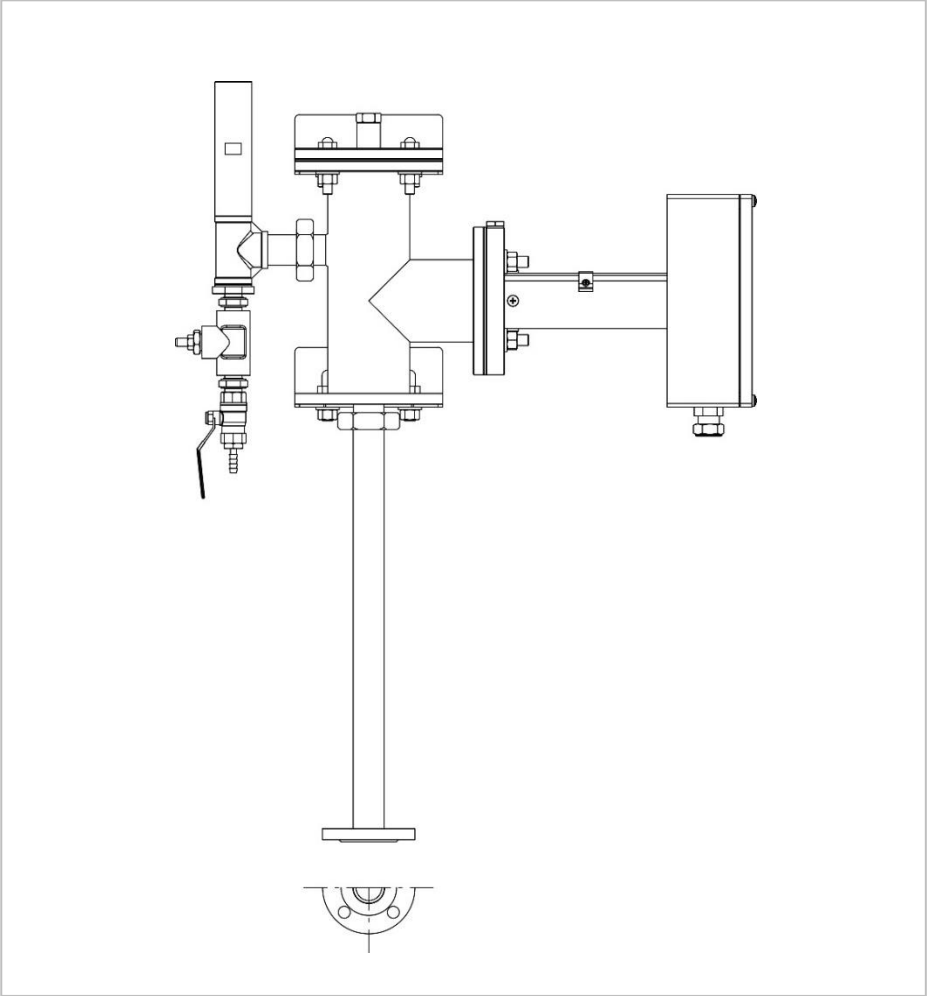
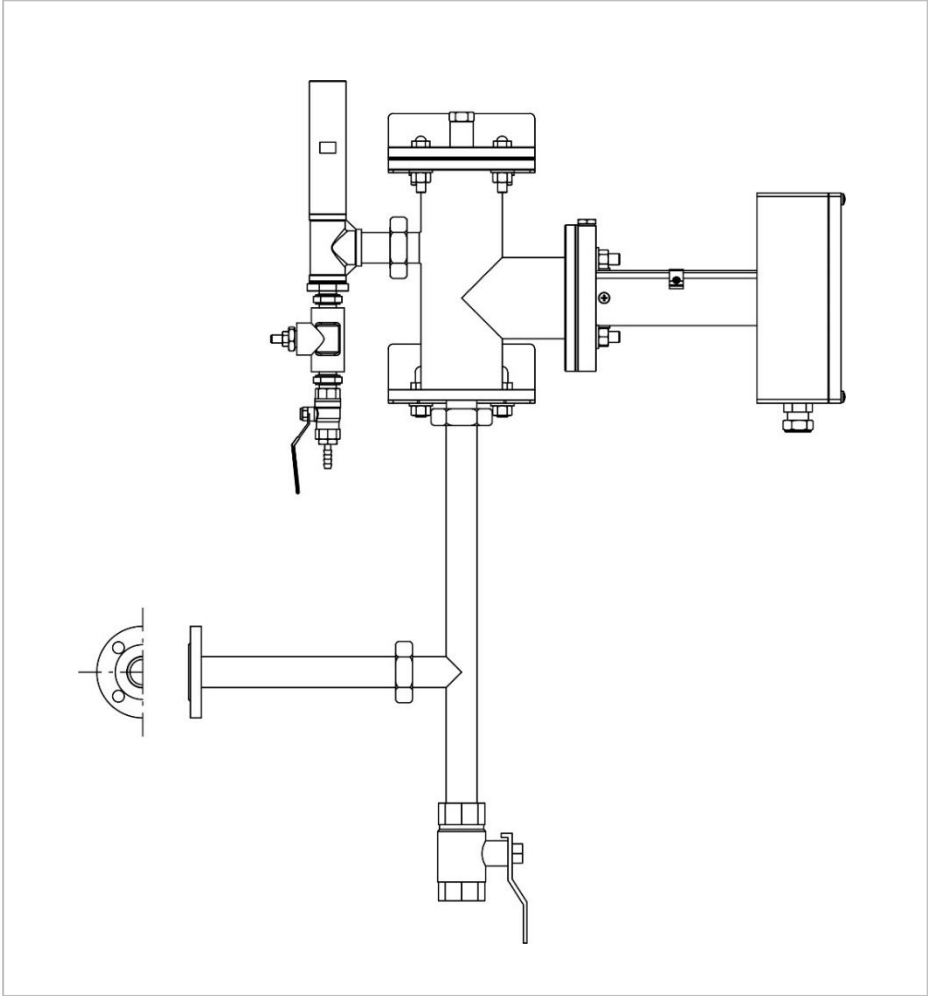
*Ejector System*

*Ceramic Transfer Pipe*

*Max. 1400 °C*

# MOUNTING OPTIONS

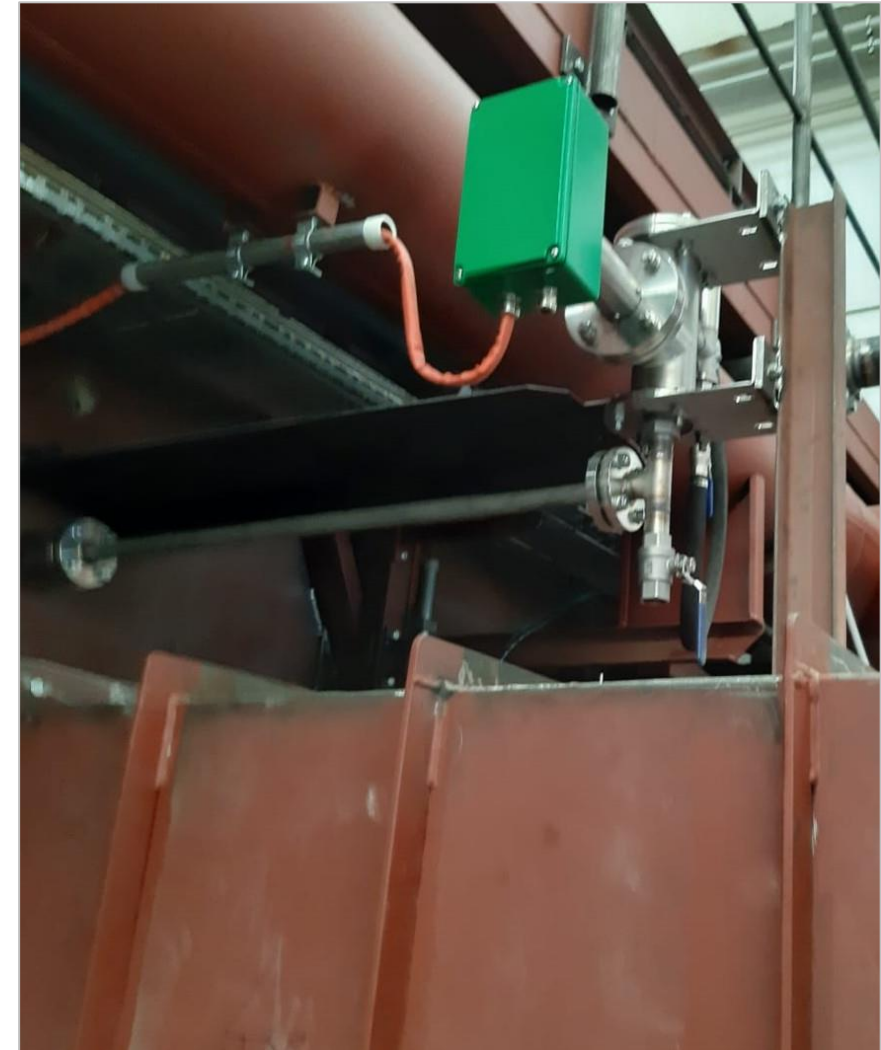
## VERTICAL & HORIZONTAL



# ATMOSPHERE CONTROL IN HEAT TREATMENT FURNACES

OMD 1700 Oxygen Analyzer is also used to control the inside atmosphere of Heat Treatment Furnaces.

Due to the measured Oxygen levels, amount of additional gases (Nitrogen, etc.) which sent to furnace atmosphere is controlled.



# ATMOSPHERE CONTROL IN HEAT TREATMENT FURNACES



OMD 1700 OXYGEN ANALYZER

