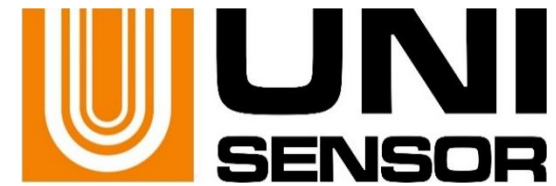


OXYGEN MEASUREMENT IN REHEAT FURNACES



UNI SENSOR OMD 1700 Oxygen Analyzer is an In-Situ type Oxygen analyzer which is used to optimize combustion by measuring the Oxygen levels inside the flue gases.

With measuring Oxygen levels, fuel/air ratios of the burners are adjusted or Oxygen trim control is made. **Significant amount of fuel savings, reduction in flue gas emissions and increase in plant service life are achieved.**

- ✓ Long Service Life
- ✓ Proper Prices
- ✓ Delivery From Stock



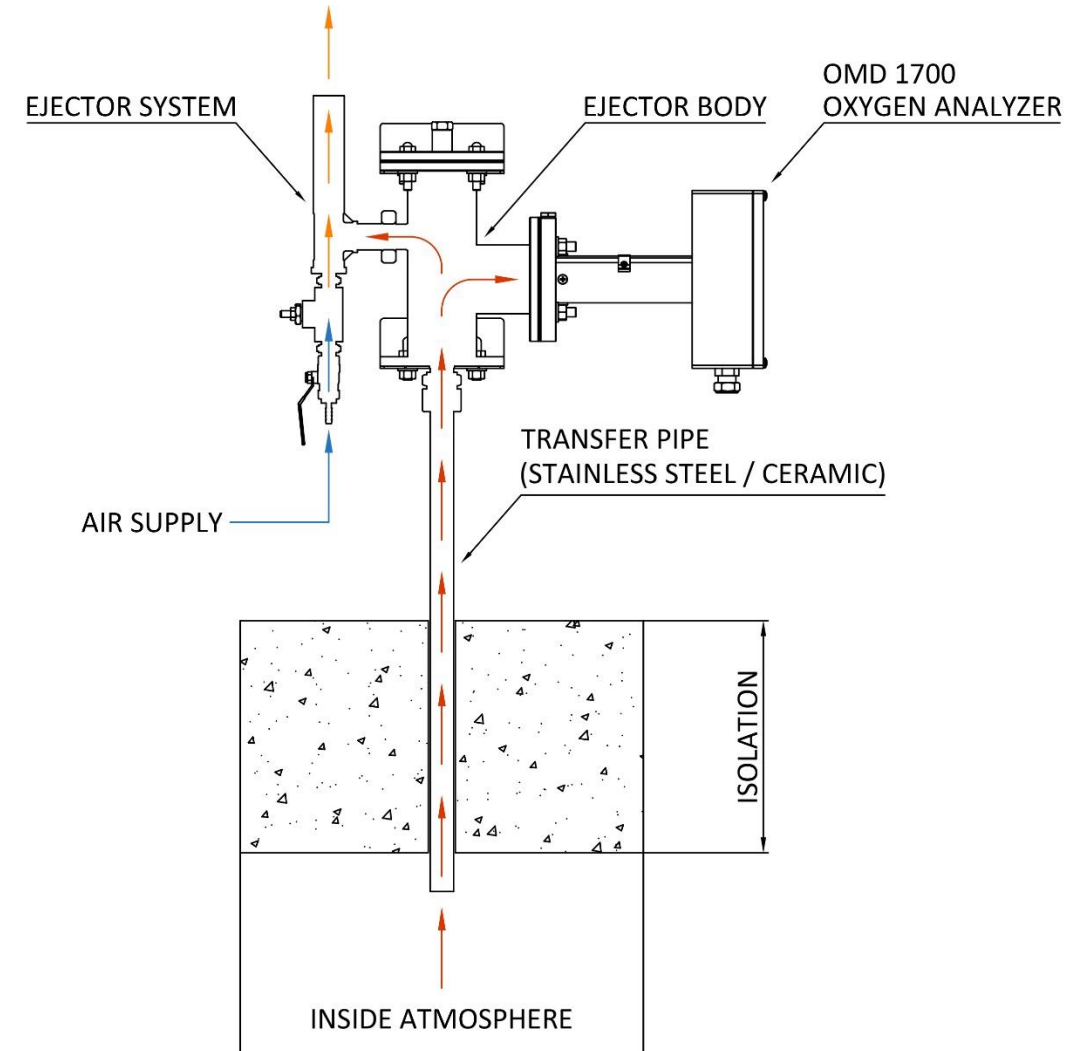
WORKING PRINCIPLE

OMD 1700 OXYGEN ANALYZER

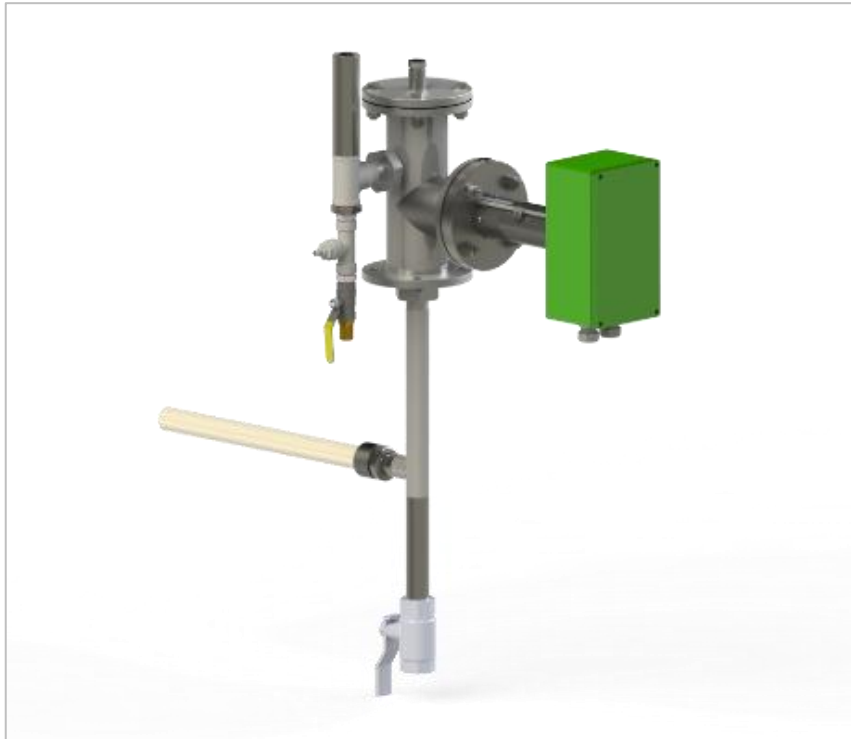


OMD 1700 Oxygen Analyzer works with a Zirconium Dioxide (ZrO₂) Oxygen Sensor. Integrated ejector system directs the flue gases towards the sensor. Sensor measures the Oxygen levels and transmit them to other systems via 4 - 20 mA output signal.

Measuring Range:	0 - 25 % O ₂
Power Supply:	24 V DC, 3A
Output Signal:	4 - 20 mA
Ambient Temperature:	-10 .. 50 °C
Accuracy:	1 %
Reaction Time:	< 4 s
Manual Calibration:	Available



AVAILABLE MODELS FOR REHEAT FURNACES

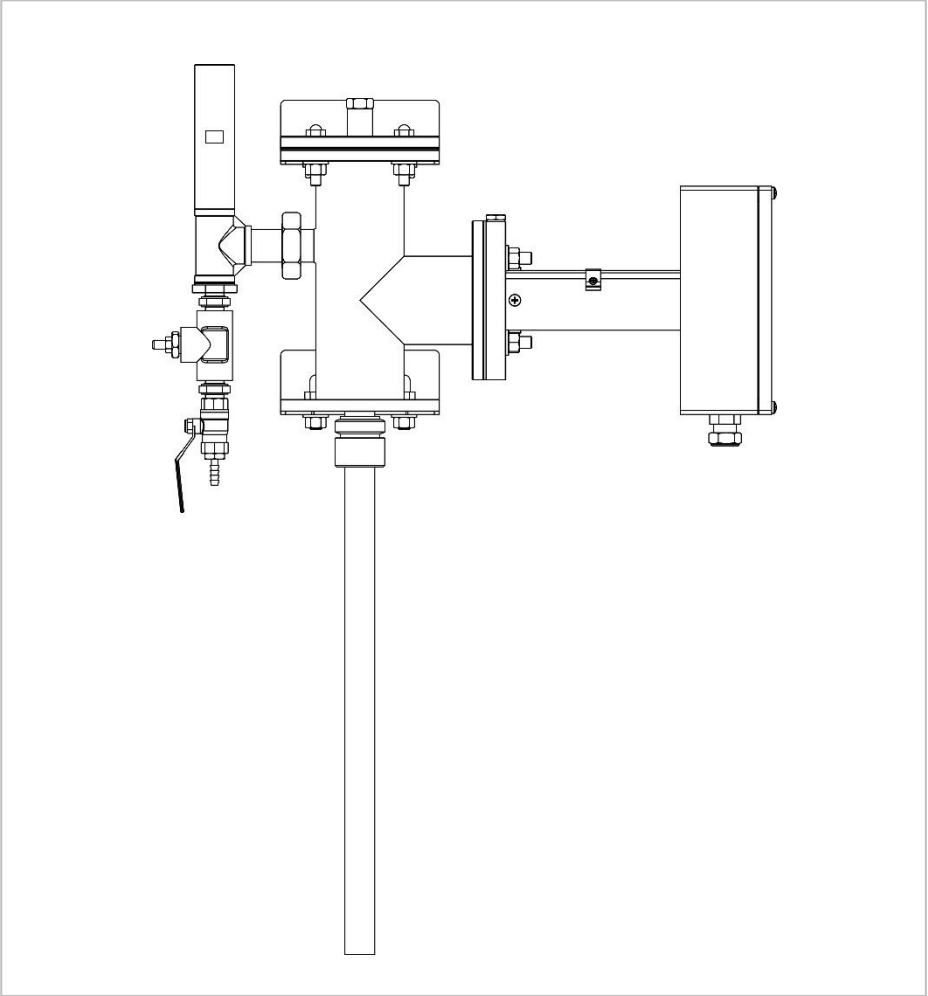
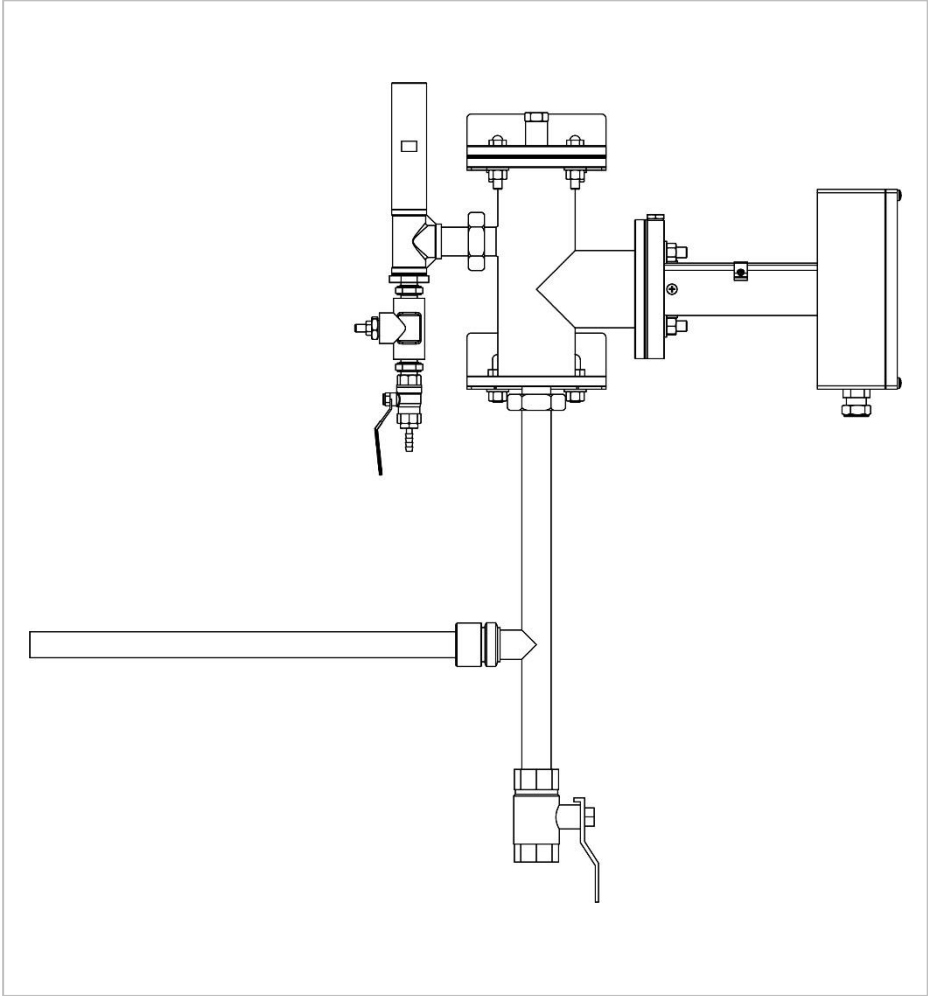


OMD 1700 - CER
Ejector System
Ceramic Transfer Pipe
Max. 1400 °C



MOUNTING OPTIONS

VERTICAL & HORIZONTAL



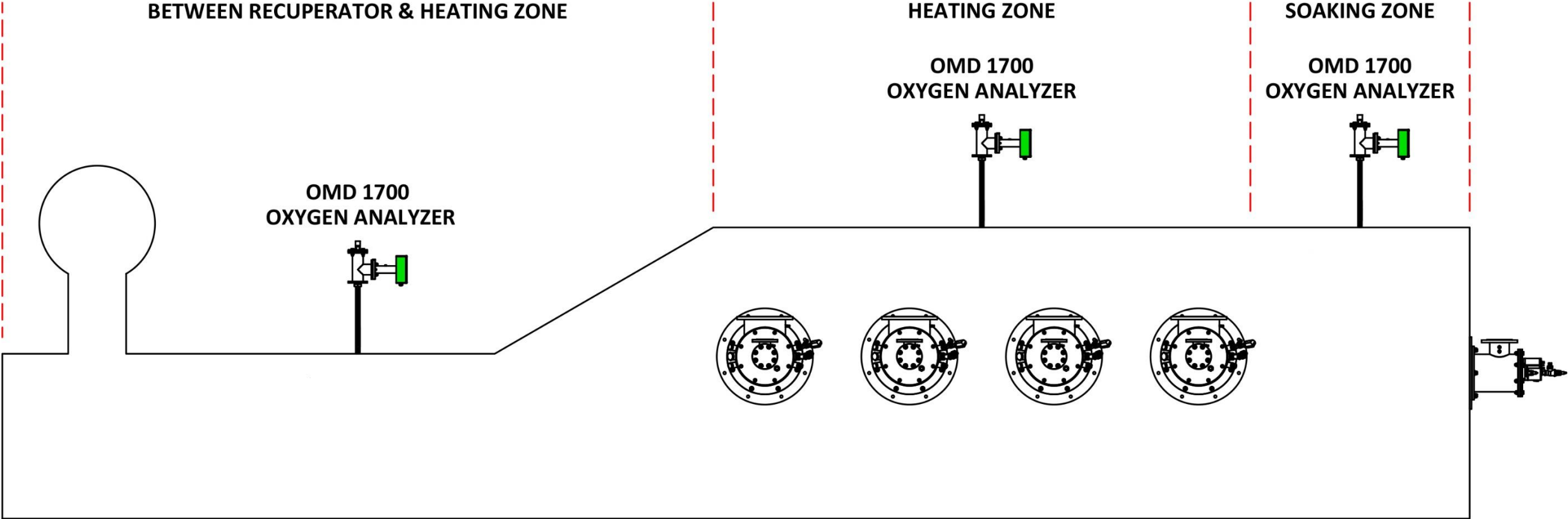
OXYGEN MEASUREMENT IN REHEAT FURNACES



There are several locations in a reheat furnace to measure Oxygen levels. Such as,

- **Between Recuperator & Heating Zones**
 - Fuel / air ratio of the burners to be adjusted by measured Oxygen.
- **Heating Zones**
 - Fuel / air ratio of the burners to be adjusted by measured Oxygen.
 - More than one Oxygen analyzer can be used due to the number of heating zones.
- **Soaking Zone**
 - **It is very important to measure the Oxygen in soaking zone to prevent scale formation.**

OXYGEN MEASUREMENT IN REHEAT FURNACES



OXYGEN MEASUREMENT IN REHEAT FURNACES

