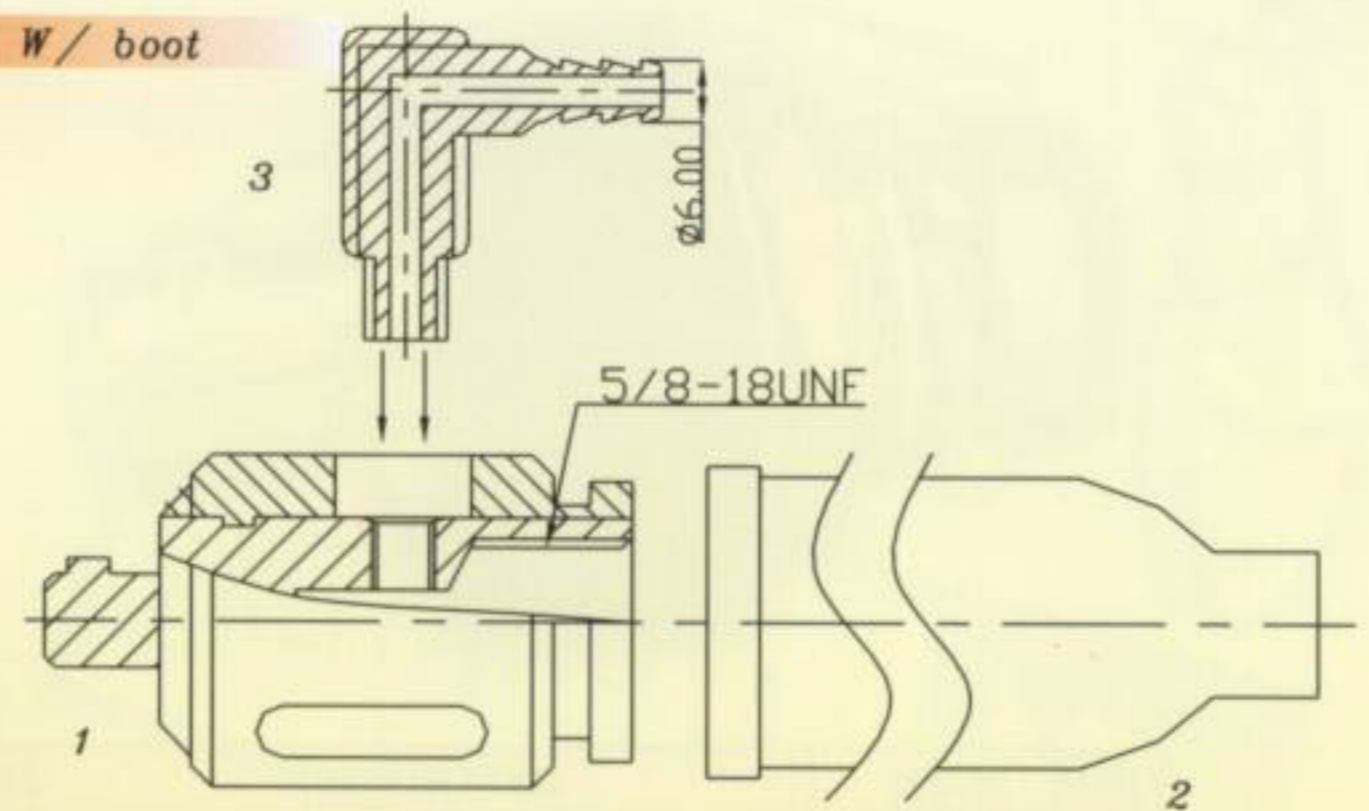
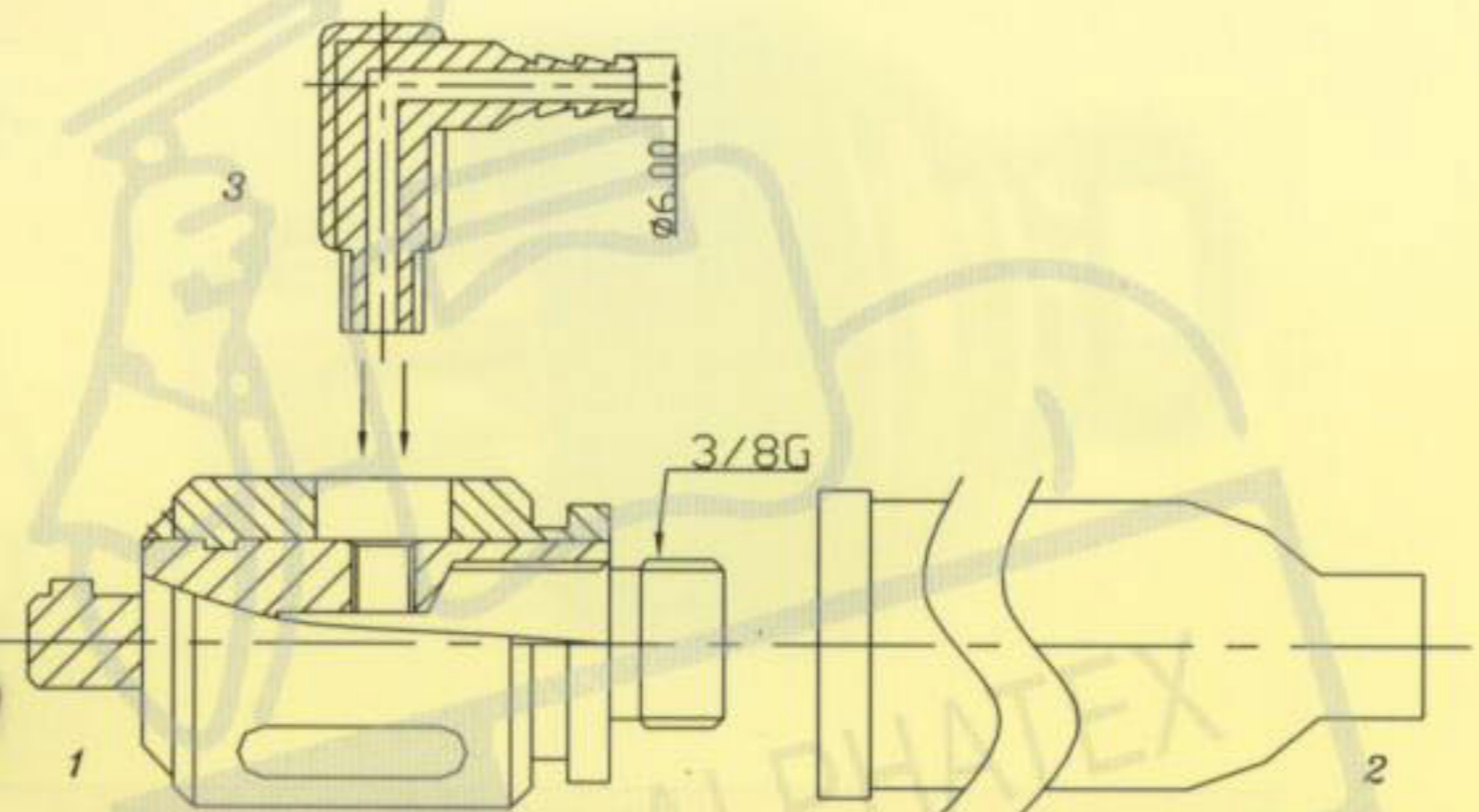


ITEM	CODE	DESCRIPTION	ITEM	CODE	DESCRIPTION
1	A0-27230A	Brass Body 21H	3	A0-26500	Plastic Fitting 90° ø6
2	A0-20800B	Tube			

A0-27221 D1625 Adaptor 5/8-18-female RH W/ boot


ITEM	CODE	DESCRIPTION	ITEM	CODE	DESCRIPTION
1	A0-27221A	Brass Body	3	A0-26500	Plastic Fitting 90° ø6
2	A0-27219	Boot			

A0-27222 D1625 Adaptor 3/8G W/ boot


ITEM	CODE	DESCRIPTION	ITEM	CODE	DESCRIPTION
1	A0-27222A	Brass Body	3	A0-26500	Plastic Fitting 90° ø6
2	A0-27219	Boot			

*Any type be available

Note: All mentioned names and trademarks are the property of their respective manufacturers. All consumables are not original, are manufactured and sold by ALPHATEX.CO., Reference to the original manufacturer is for convenience only.