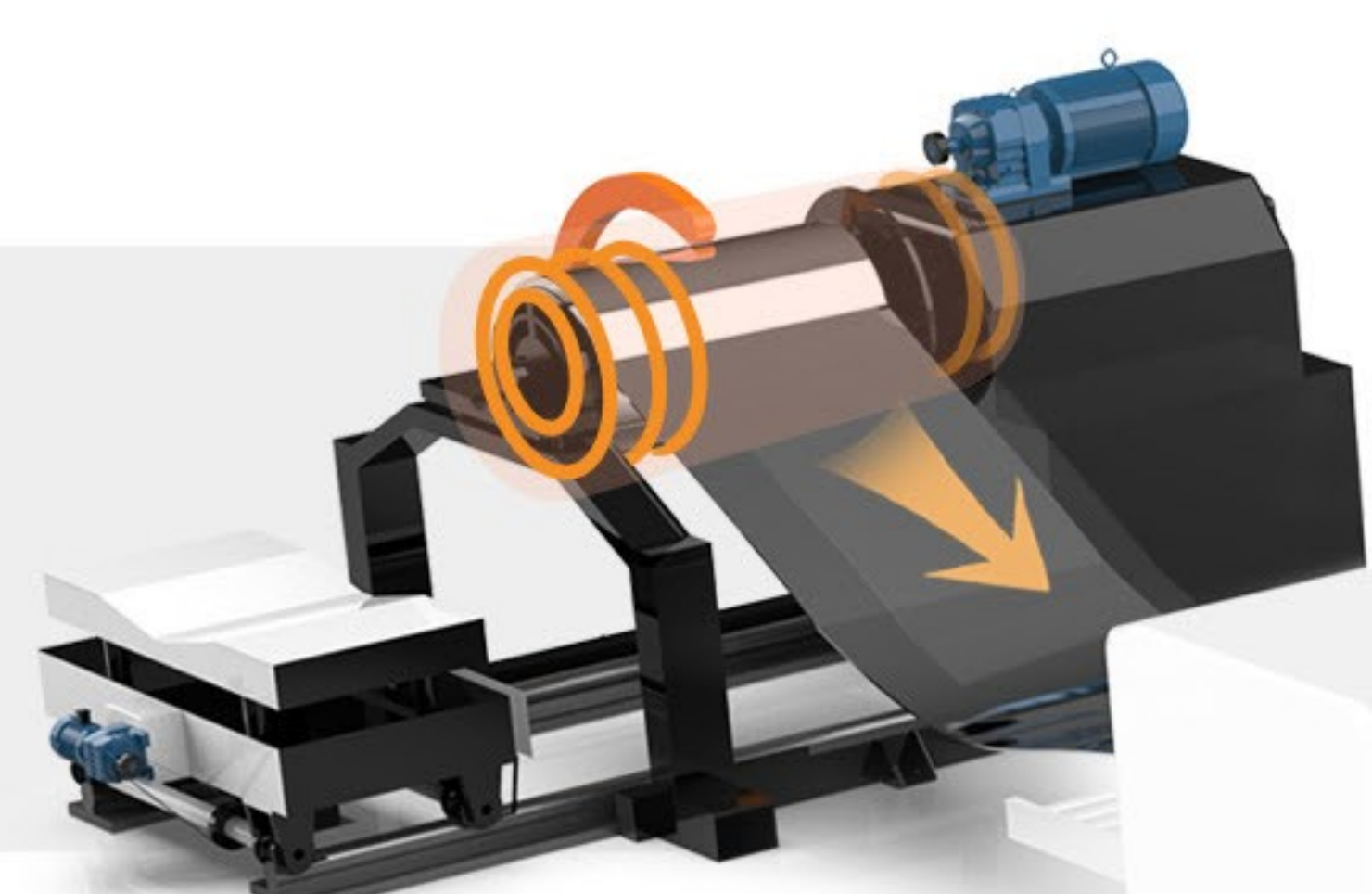
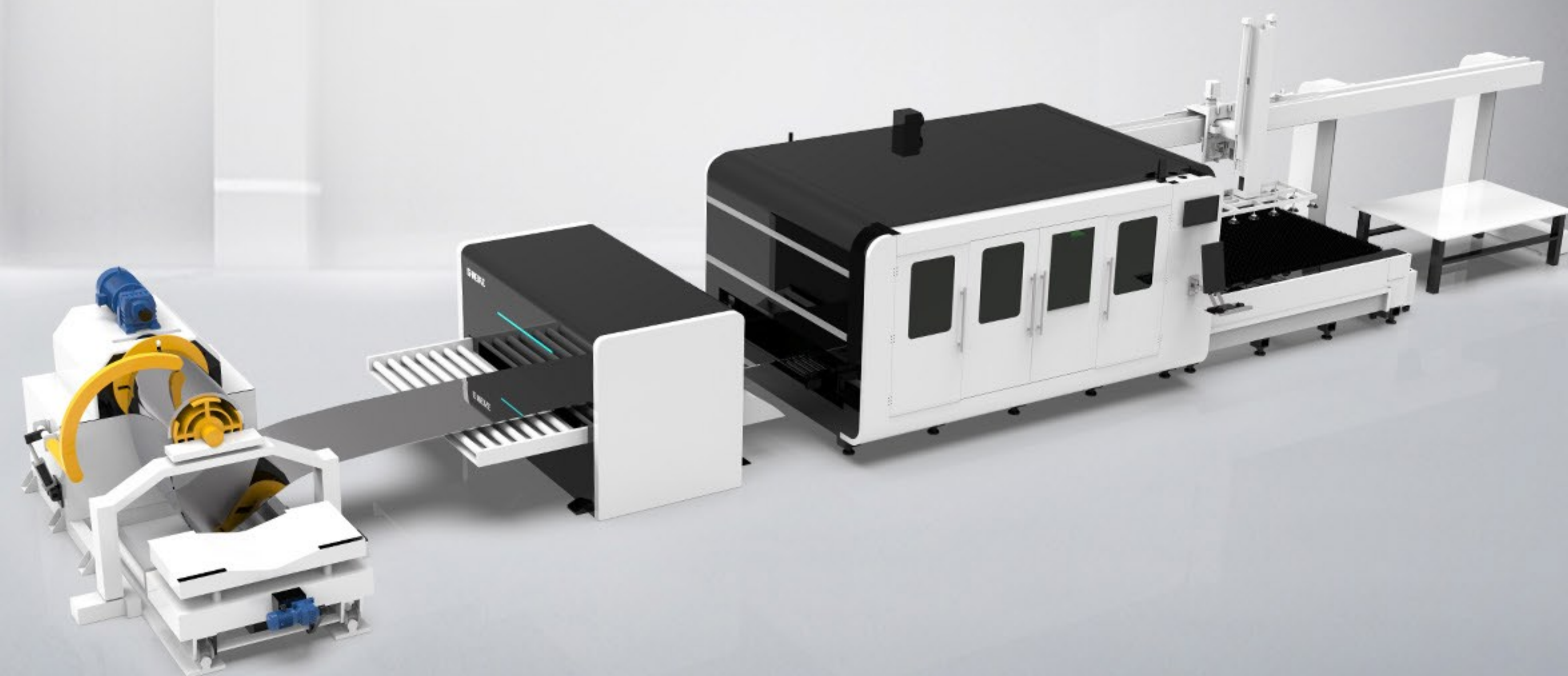


LF3015MB

COILED FIBER LASER CUTTING MACHINE

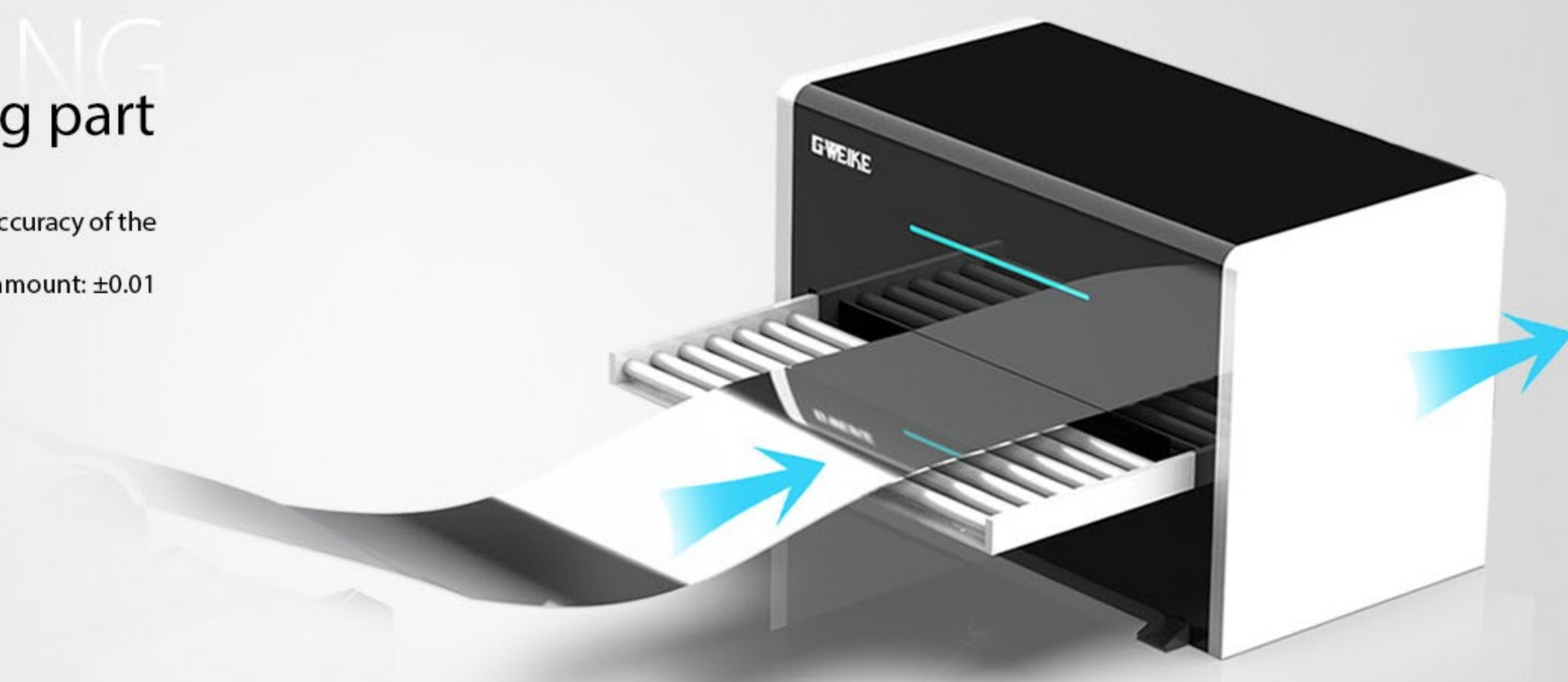


Uncoiling Machine

The uncoiler unwinds the roll material, and the width of the loaded coil material is 100-1300mm; the load is 10000kg.

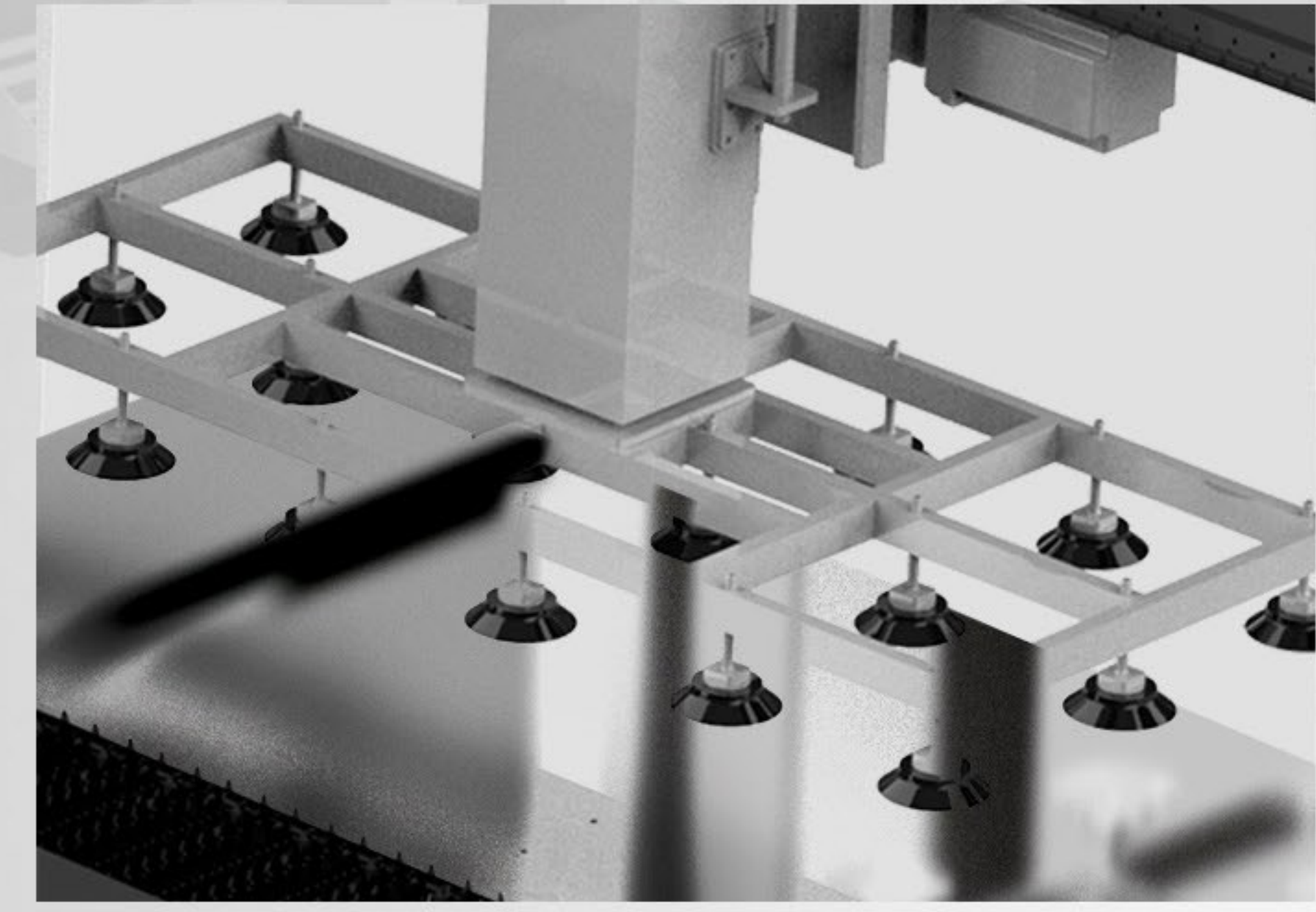
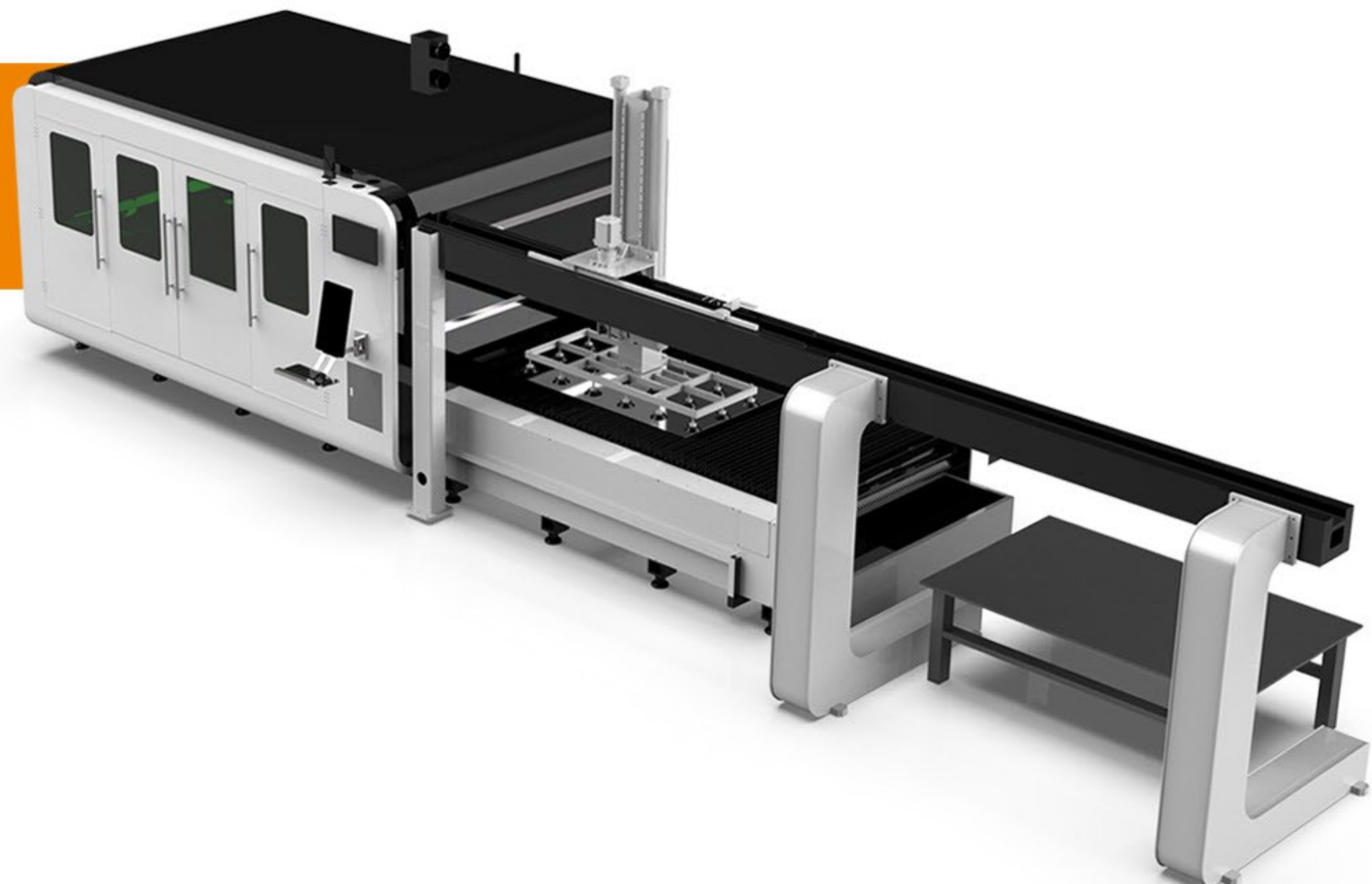
LEVELING
Leveling part

Leveling feeder to level the material, the adjustment accuracy of the correction amount: ± 0.01



Fully enclosed laser cutting

The bed adopts gantry dual-drive structure, imported screw and linear guide rail, stable transmission, high precision, and online rotation of the hobbing, which ensures high efficiency and high quality of material processing, saves time and manpower, and improves material utilization.



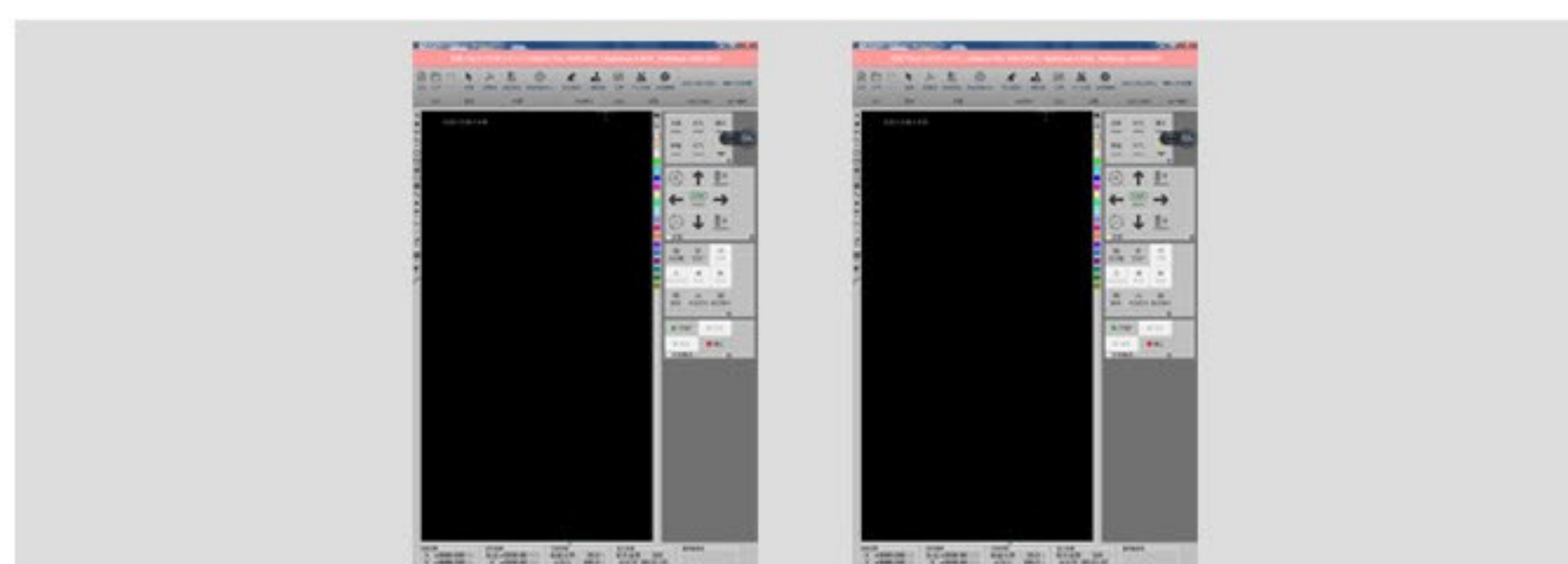
Automatic unloading material

Hobbing type conveying structure, vacuum chuck automatic unloading the unloading the finished product, automatic stacking of finished products, saving labor and improving efficiency.

Machine Advantage

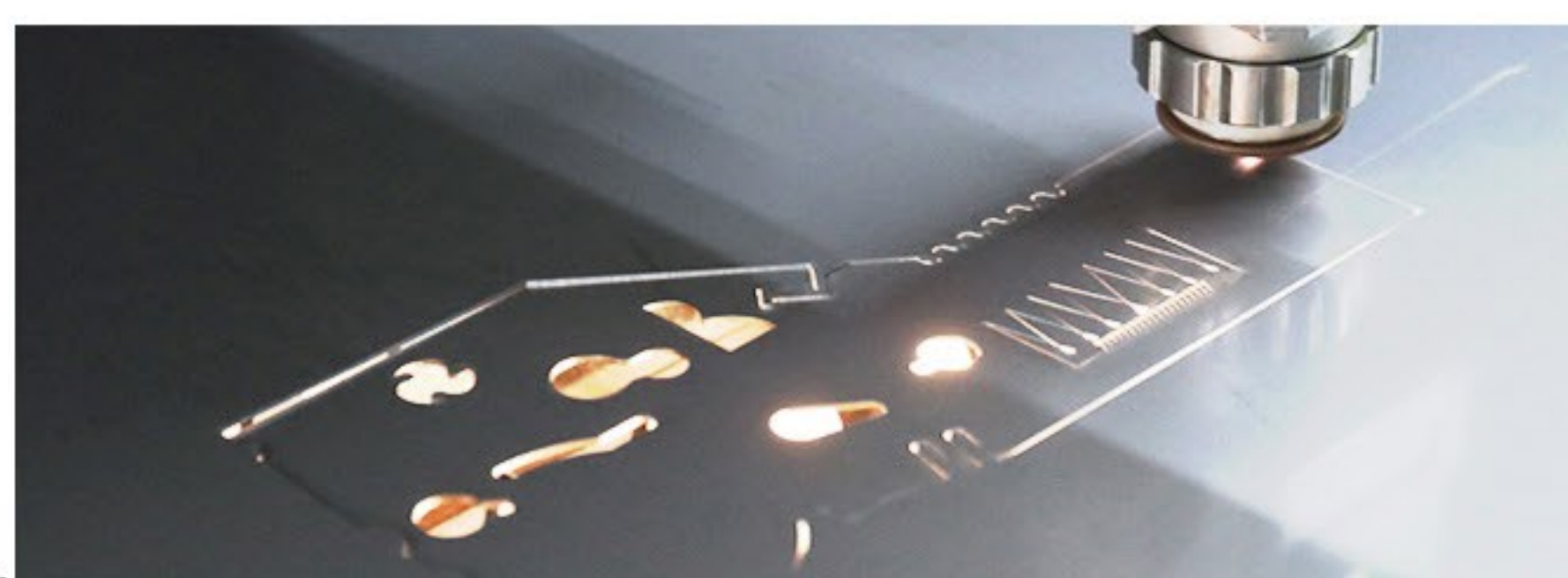
High material utilization

One key for any piece of material is processing, programming forms the best material discharging mode, realizes the cutting of the net material, and improves the utilization rate of the plate.



Free-form cutting

It can monitor the running range of the beam and cutting parts throughout the process, and quickly feedback to stop the period. Double protection with fixed limits can greatly improve equipment and personal safety and reduce the risk of customer use.



Industry Applications

MB series fiber laser cutting machine can carry up to 4000W laser power, so cutting some thick plate, it is a very good choice. For example, agricultural machinery, textile machinery, food machinery and construction machinery and other large machinery and equipment manufacturing, usually use high power fiber laser cutting machine for processing. Suitable for stainless steel, carbon steel, silicon steel, aluminum alloy, titanium alloy, galvanized steel, aluminum-plating zinc plate, copper, and other metals.



Technical Parameters

MB Series	
Machine Model	3015MB
Laser power	1000W/2000W/3000W/4000W(Optional)
Working area	3000mm X 1500mm
Dimensions	(5480+8034)*4850*(2650+300)mm
Repeat positioning accuracy	± 0.03 mm
Max speed	120m/min
Max acceleration	1.5G/2.0G
Voltage and frequency	380V 50HZ/60HZ

JINAN G.WEIKE SCIENCE & TECHNOLOGY CO.,LTD

In hi Tech square High-Tech Zone, Jinan,Shandong,China

E-mail: wkcutt@163.com

Hotline: 400-061-521

Fax: +86-0531-88912386