

XTS

XTS Technologies

*Xcellent Total Solution
In Industry Technology
Extra Effort, Extra Values*



Xtron Series

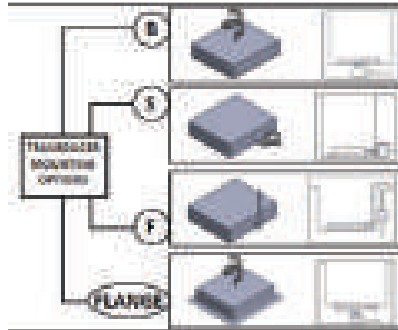
ULTRASONIC GENERATOR



FEATURES

- Output Power Control
- Overload Detection
- Sweep and Remote Function
- Micom and PLL Function
- Timer
- Touch Switch
- LCD Display

IMMERSIBLE TRANSDUCER



XTS also offers 4 transducers type

- Bottom Bulk Head (B)
- Side Bulk Head (S)
- Flexible Hose (H)

FEATURES

- Wide range of frequencies available for removal of different particle size
- Customisable transducers dimensions
- Immersible transducer turns any existing tanks into ultrasonic cleaning device
- Suitable for wide range of industries from electronics to optics

Free Cleaning Trial

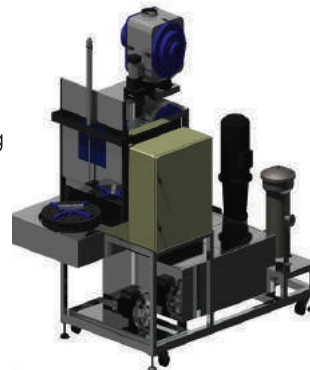
The XTS's **Compact Hot Water Spray Process system** are incorporated with High Pressure Spray Cleaning and Drying in Single Chamber design.

The system performs cleaning of Machining & Casting parts to the highest standards with minimal operator intervention with 10 bar High Pressure Spray Cleaning to remove coolant or chips inside the screw hole and blind hole

FEATURES

- In Line Heater
- Enhanced Spray coverage
- High Water Pressure
- Environmental Friendly
- Easy Loading & Unloading parts
- Pump Circulation with filtration
- PLC control with Touch Screen
- Stainless Steel constructed

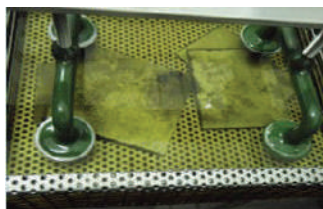
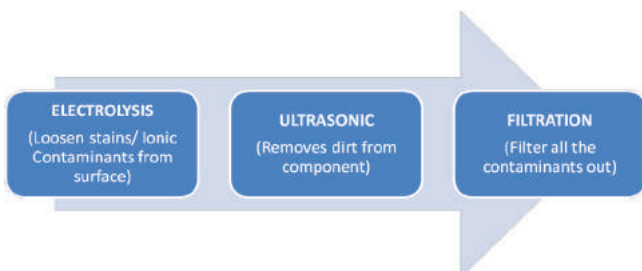
High Pressure Hot Spray System



High Pressure Spray Cleaning



Mould Cleaner



Cleaning Process with Ultrasonic Only



Cleaning Process with Ultrasonic + Electrolysis Only



Hair Line Mold
Ultrasonic + Electrolysis 12 minutes

Cleaning System

XTS Standard and Customized 3-stage to multi-stage Aqueous and Hydrocarbon cleaning system (heated ultrasonic clean , rinse , rinse air dry ets ..) suits a wide range of cleaning needs in aerospace , precision , electronics and other industries. Closed loop high purity DI water rinsing provides organic and ionic cleanliness superior to customers standard. Or Vacuum Hydrocarbon to clean more stubborn oil contamination.

Standard Aqueous cleaning machine features include undersurface jets and weir overflow to all wet stages. Options include :

- Pre-clean modules with oil separator for heavy duty cleaning
- Ultrasonic to rinse stages
- Vertical agitation to wet stages
- Double Capacity hot air drying for increased throughput



Robotic Automation

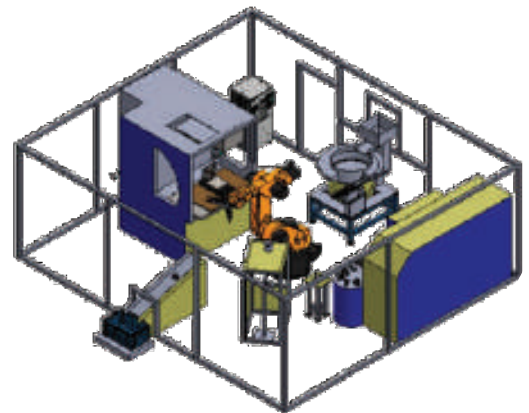
Automation provides benefits to virtually all of industry.

- **Manufacturing**
- **Transportation**
- **Utilities**
- **Defense**
- **Facility operations**
- **CNC Robot Handling**

XTS Technologies provide Automation Machinery mainly in Manufacturing Industry. The scope of Automation provided is :

- **Robotic**
- **Deburring**
- **Conveyor**

Not only expert in Automation Designing but **XTS** also serve to fabricate any machine in the mentioned scope from start until end process.

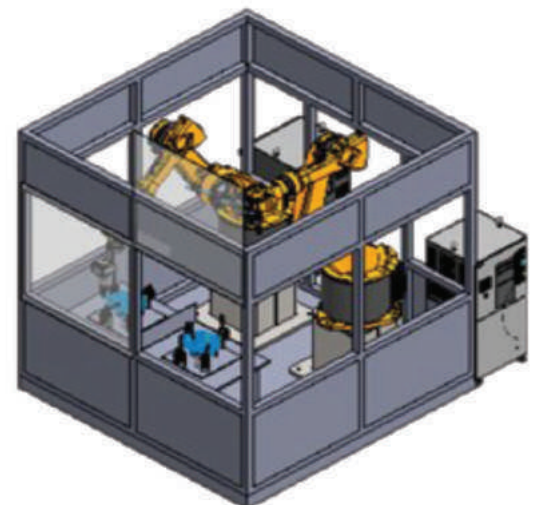


Deburring Automation

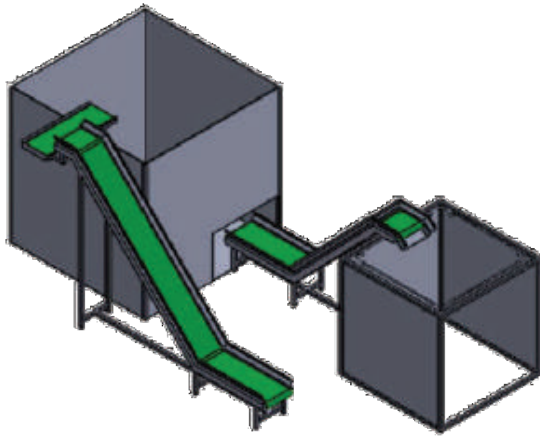
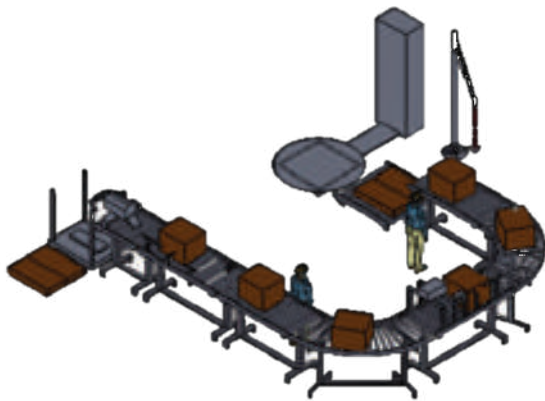
Deburring or Burr removal is a process where a standard practice associated with virtually every segment of the manufacturing process.

Burr removal, or "deburring," is The vast majority of deburring is performed using mechanical deburring. Processes, but thermal deburring and electro-chemical deburring processes are also used.

The movement of the process mainly used **Robotic arm Movement**



Conveyor Automation

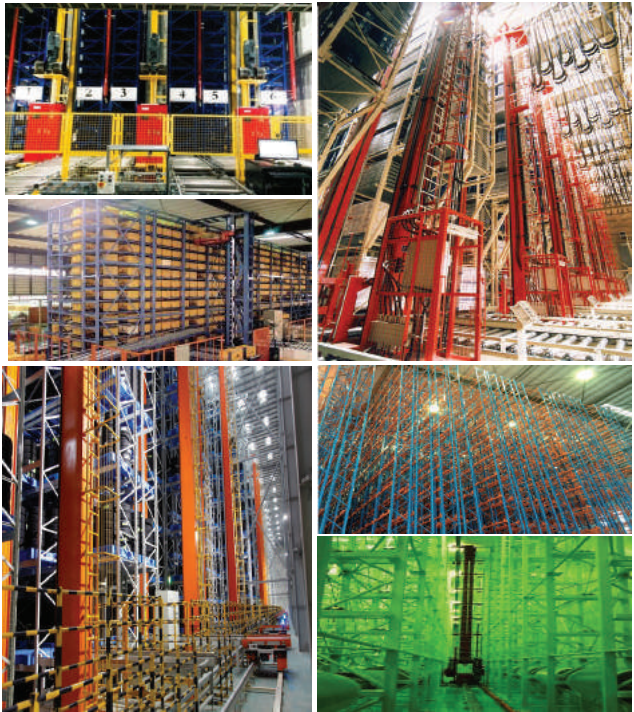


Conveyor systems, often called **conveyor belts**, **work** by using two pulleys that continually loop over the material that rotates over them. The belt is then supported by a series of rollers along the path. The rollers in the center of the device prevents the **conveyor** from sagging in the middle while it is carrying a load.

AS/RS System-Kenmec



HIGH-SPEED
Precision



Storage environment



- High temperature
- Anti-explosion
- Clean room
- Cold chain

Carriage

- Mini - Load
- Unit - Load



Automated storage and retrieval system-ASRS

Logistics system software

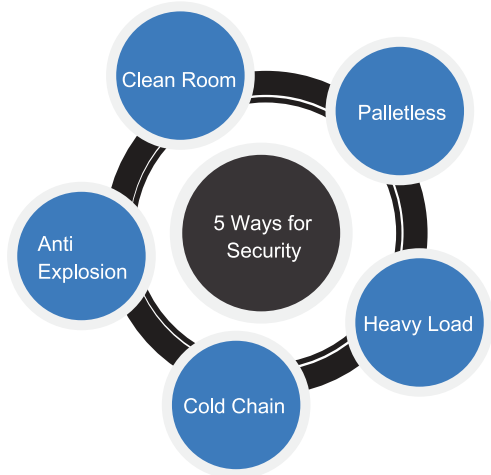
Crane



- Stacker
- Shuttle car
- AGV

Steel structure

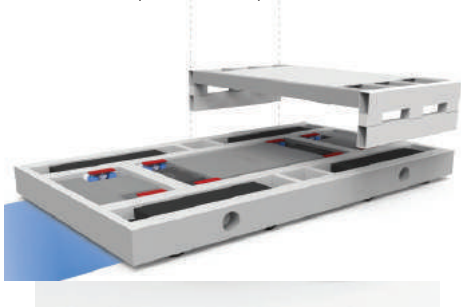
- Combined
- Integrated



AGV- Kenmec

Heavy Duty AGV

Heavy Duty AGV designed for continuous industrial operation, for moving heavy loads long distances and serving automated production processes.



Two-Way Type AGV

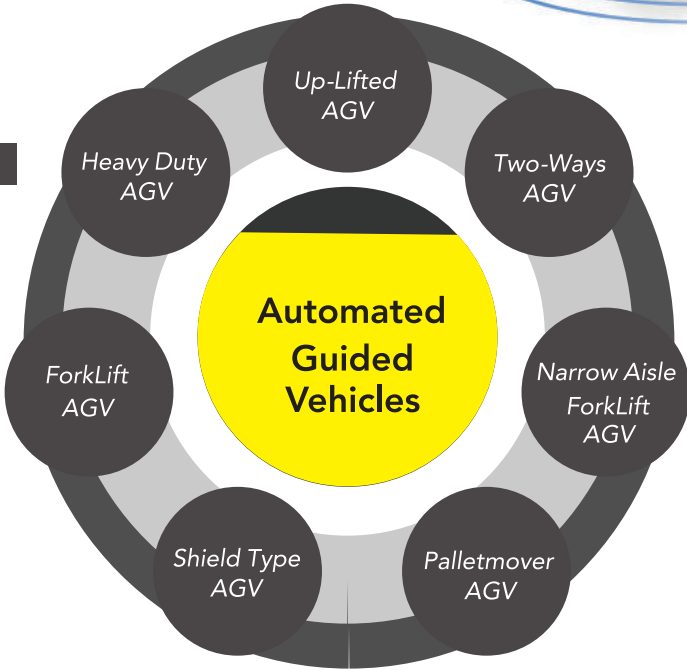
The Advantage Two-Ways AGV Delivers:

- The direction and route can be adjusted easily.
- Warehousing (narrow aisle, deep-lane stacking, block storage, racking)
- Improved product tractability
- Easy and fast installation
- End-of-line handling: picking from conveyors, palletisers, stretch wrappers, trailer loading / unloading



Forklift AGV

The Forklife AGV is a safe, cost-effective mobile robot that quickly automates your internal transportation and logistics. The robot optimizes workflows, freeing staff resources so you can increase productivity and reduce costs.



Up-Lift Type AGV

AGV Assembly line Lifting is basically comparable to the AGV Assembly line. The main advantage of this AGV Assembly line Lifting is the integrated lifting module.



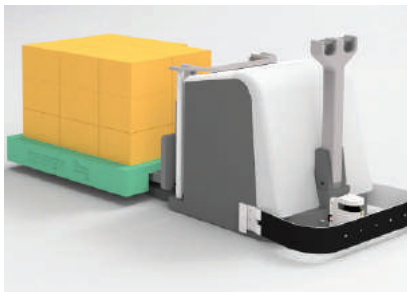
Shield Type AGV

The Shiel Type AGV is a Safe, cost-effective mobile robot that quickly automates your internal transportation and logistics. The robot optimizes workflows, freeing staff resources so you can increase productivity and reduce costs.



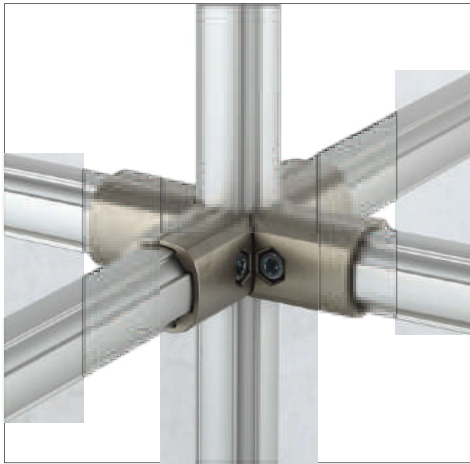
Palletmover AGV

A new generation of autonomous mobile robots is chaging the way businesses move materials inside their facilities - and AGV is leading the charge.



SUS Aluminium Profile

Speed Assembly



Possible to connect to 4 direction with high accuracy. Anyone can quickly and easily build it.



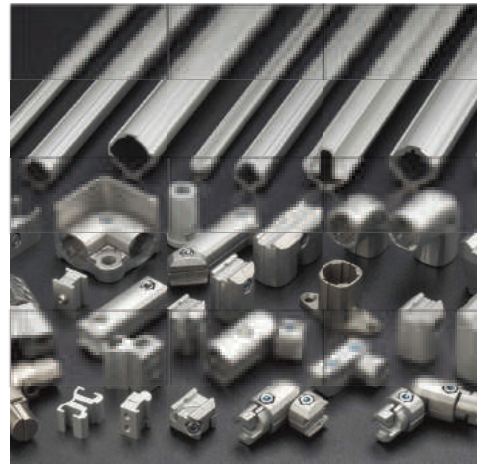
There are 3 frame size that easily produce

High degree of design freedom

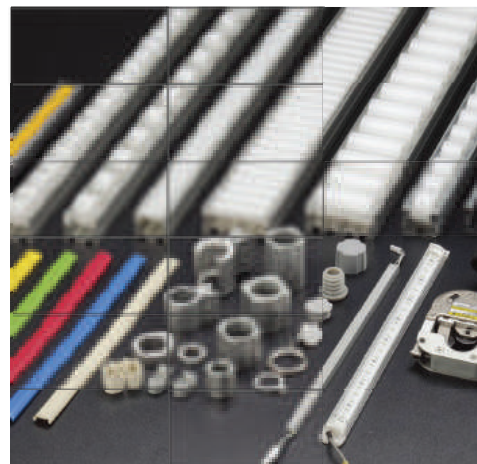
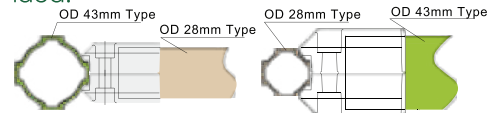


This item is match to any space from production line to office or accommodation

Variety of Parts



Optimum Joint Parts for any shape or application Functions and Mechanism realization upon the idea.



Utilize expansion items to improve usability of the worker

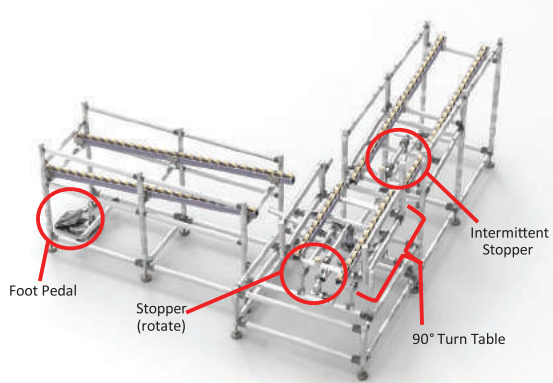
Correspondance to the application



The structure of standard part combination variety of application module

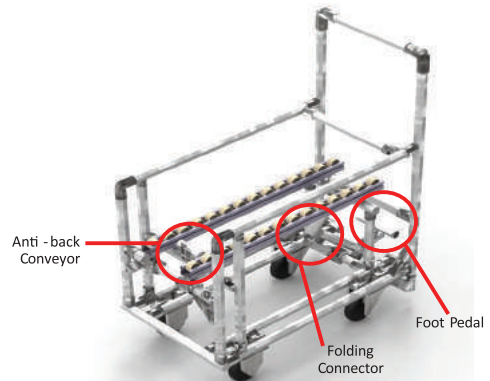
Application

90° Turn Unit



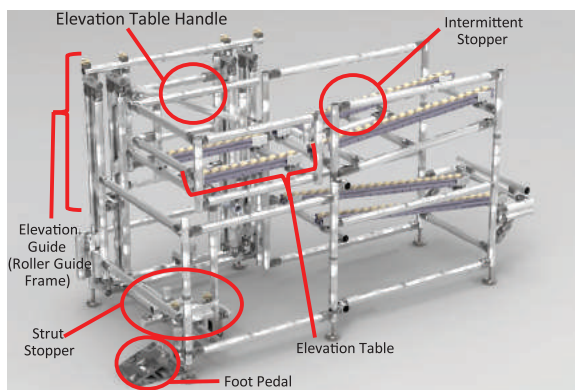
- When press the foot pedal, intermittent stopper will release container to flow to 90° turn table.
- When container reach the table, the table will rotate 90° by the weight of container.
- After table rotated, stopper (rotate) module will release, and container will be discharged.
- The weight will bring the table back to its original position.

Dispensing Trolley Unit



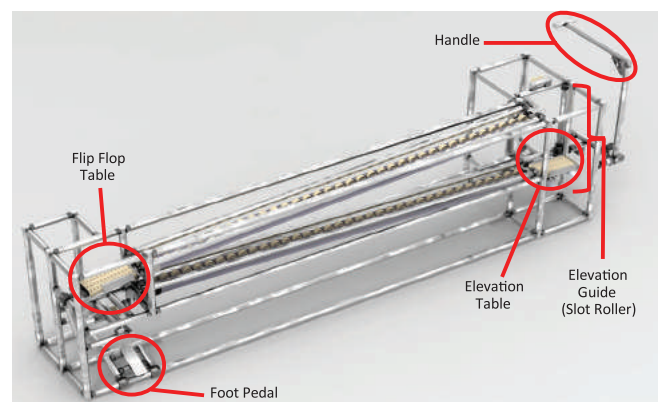
- Bring container that sit on trolley to the front of rack.
- Press the pedal, coroon part will lift up and tilt to let go of the container. Container inside the trolley is locked with anti-back even during transfer.
- Even when remove the foot out of the stay function, coroon remain in tilt.
- After move container on rack press the pedal, coroon part tilts back to the original position waiting for a new container.

Elevator Unit



- When push the handle, the intermittent stopper will release the container to the elevation table.
- The frame of strut stopper will lock due to its function when there is container set on table, and will stop elevation table coming down.
- When press foot pedal, frame of strut stopper will be pressed, elevation table is unlock and move down.
- After discharged container, the weight will bring elevation table up, and strut stopper will back to original position.

Pallet Turn Unit



- When pallet is on the unit, it automatically flows down the flip flop table.
- The flip flop table will slope down when the pallet is detected.
- Press the foot pedal to discharge the pallet from the flip flop table to the lower level. The pallet will flow until reaches elevation table.
- Push the handle and the table will go up to lift the container in the lower level back to upper level.

Fabrication

What is stainless steel used for?

Stainless steels of various kinds are used in thousands of applications. The following gives a flavor of the full range:

Domestic – cutlery, sinks, saucepans, washing machine drums, microwave oven liners, razor blades

Architectural/Civil Engineering – cladding, handrails, door and window fittings, street furniture, structural sections, reinforcement bar, lighting columns, lintels, masonry supports

Transport – exhaust systems, car trim/grilles, road tankers, ship containers, ships chemical tankers, refuse vehicles

Chemical/Pharmaceutical – pressure vessels, process piping.

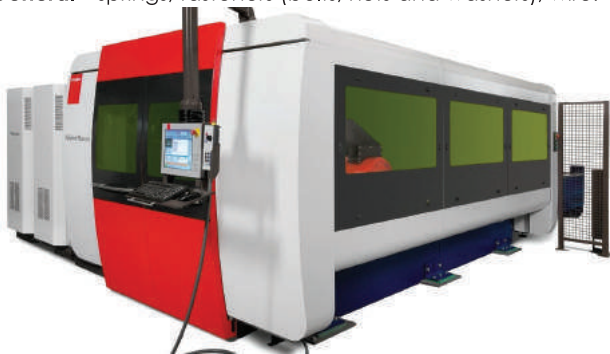
Oil and Gas – platform accommodation, cable trays, subsea pipelines.

Medical – Surgical instruments, surgical implants, MRI scanners.

Food and Drink – Catering equipment, brewing, distilling, food processing.

Water – Water and sewage treatment, water tubing, hot water tanks.

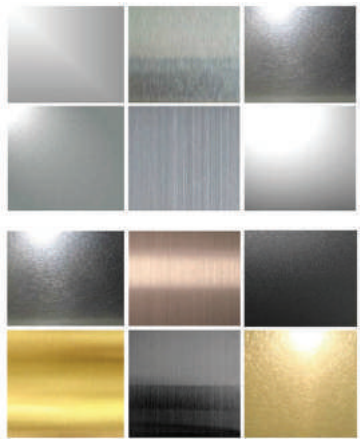
General – springs, fasteners (bolts, nuts and washers), wire.



Equipment

- CO2 Laser cutting Machine (5ft by 10ft)
- CNC "V" Cutting Machine (4ft x 20ft)
- 10ft fully CNC driven Punch Bender and Xpert Bender
- Shearing and Bending machine (10ft)
- PVD Titanium Colour Coating Machine
- Surface Print Protect 2 (SPP2) Print Resistant Coating Machine
- Polish Machine
- Non-direction (ND) Polish Machine
- Deburring (Polishing)
- Plasma Welding and Cutting Machine
- MIG/TIG/Spot Welding Machine
- Punch Hole Machine
- Lathe Machine
- Vertical Milling Machine
- Multi-Purpose Iron Wrokers
- CNC Beam Saw Machine
- Master Cut Band Saw
- Etching Equipment
- Sand Blasting Machine
- Spray Paint Machine
- Dust Collector

Material



Product Sizes

Thickness: 0.8mm-3.0mm

Width : 1219mm/1524mm

Length : 2438mm/3048mm

Kindly please contact us for availability of special material types, sizes and surfaces finishes

Leak Test Machine

APPLICATIONS

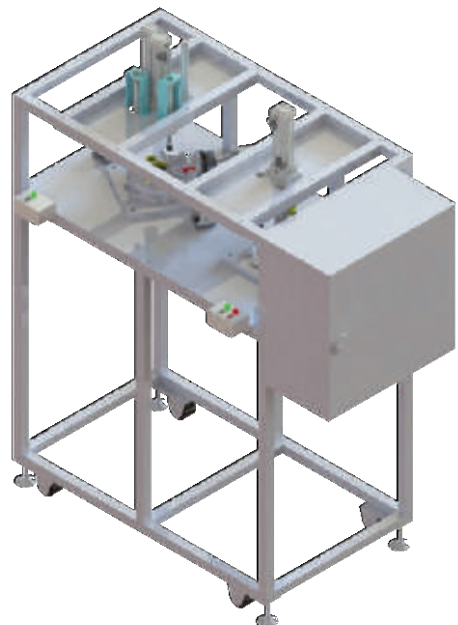
- Automotive components
- Engine assembly
- Brake Systems
- Carburettor
- Transmission assembly
- Cylinder blocks
- Pumps & Valves
- Electrical instruments

ADVANTAGES

- **Minute leakage** can be detected
- **Fast** testing
- **Accurate & Consistent** results
- **Dry** testing
- **No damage** of component
- **Quantifiable results**
- Two set points– OK / Not OK

METHODS

- Pressure Decay
- Tracer Gas
- Bubble Test without under water testing



IAI Robot Actuator

Advancing into a NEW ERA switching Air to ELECYLINDER

Designed to move between two points just like Air Cylinder Speed / Acceleration / Deceleration can be set in just 5 minutes.

ELECYLINDER SERIES



Rod Type
EC-R



Slider Type
EC-S



Stepper Motor
Radial Cylinder Type
RCP6 (S)W-RA4/6/7/8
RCP6(S)W-RAA4/6/7/8
RCP6(S)W-WRA10/12/14/16

Stepper Motor
Radial Cylinder Type
RCP5W-R-A6/7/8/10

Splash-proof/Dust-proof Types

These actuators offer protection conforming to IP54-IP67, and are a desirable solution when operated in adverse environments

SCARA ROBOT ARM LENGTH 250/350/500/600/700/800MM



Standard Compact Type



Standard Medium Type



Standard Large Type

IX Series SCARA Robots

The IX SCARA robots feature high performance and functionality

Gate Type



4-axis Specification

Cantilever Type



4-axis Specification with ZR

TTA Series Tabletop Robots

Improved tabletop robots for cell products, R&D applications and more

Cartesian Robots

Pre-configured cartesian robots that reduce installation and setup times

ICS(P)B2/ICS(P)A2 2-AXIS CONFIGURATION



Y-axis Base Mount
XYB



Y-axis Slider Mount
YYS

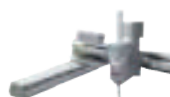


Y-axis Base Mount
Z-axis Base Mount
XYB+ZB



Y-axis Base Mount
Z-axis Slider Mount
XYB+ZS

ICS(P)B3/ICSPB3 3-AXIS CONFIGURATION



Y-axis Side Base Mount
ZR-axis Base Mount
XYB+ZRB



Y-axis Multi Slider
Y-axis Base Mount
XMYB

ICS(P)A4 4-AXIS CONFIGURATION



Y-axis Base Mount Type
XYB+ZRB



Z-axis Base Mount Type
YXB

IK series 2-4-AXIS CONFIGURATION

Controllers

A wideiety of operational patterns to fit your specific needs

POSITION CONTROLLER



For RCP2/RCP3



For RCP6/5/4/3/2



For RCA/
RCA2/RCL



For ROBO Cylinder
CON Series
8-axis Type

PROGRAM CONTROLLER



For RCS2/RCS3/
Single-axis/
Linear Servo/SCARA

MANNESMANN DEMAG

Robot spindles From our extensive program

Axial and radial compensatio
with quick change chuck and / or sensors

Free speed up to 20000 min



ESR with radial deflection and quick change chuck +



ESR with axial deflection and quick change chuck +



ESR 30 AX25 ST axial deflection with sensors +

Radial see-saw compensation unit
with sensor control

With this modular deflection unit you
can combine many air motors, chamfering
tools, filing machines or grinding spindles.



Numerous combinations

Spindles with radial deflection
for deburring and milling

- Free speed: 15000 - 1000 000 min
- Power: 100 - 800 Watt



ESR 1000



ESR 551



ESR 350



ESR 170

Spindles with radial
or axial deflection for brushing

-Free speed: 520 - 20 000 min
-Power: 380 - 840 Watt



ESR 38-520 AX25



ESR 50



ESU 60

Robot spindles for use with in CNC machines

With maximum speed to the peak of productivity:
Save up to 80% machining time with highest cutting rates
and up to 300 m/min feeding speed.



ESR 1000 X3



ESR 350 X3



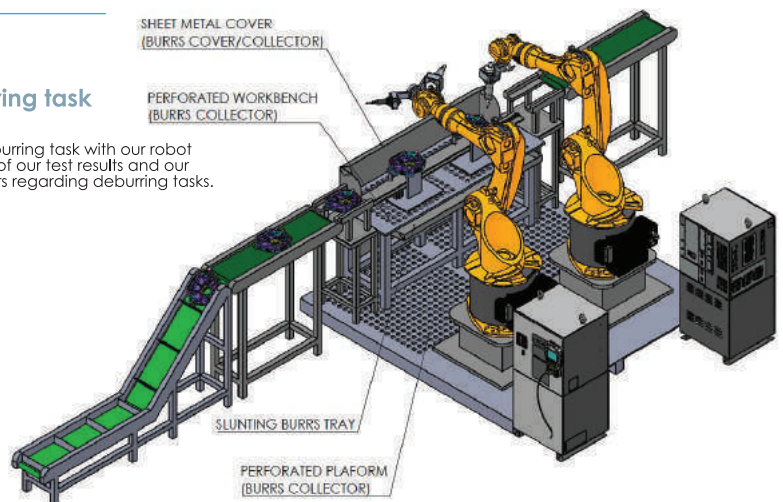
ESK 1000 ARF SK40



ESK 350 ARF SK40

We test your individual deburring task

We test your specific deburring task with our robot
and advise you on basis of our test results and our
experience of many years regarding deburring tasks.



Eclipse



SUB-MICRON MAGNETIC FILTRATION SYSTEM

A world leader in magnetic technology with 100 years' experience in the design and manufacture of high performance magnetic systems, we supply critical equipment to some of the leading names in the most demanding industries.

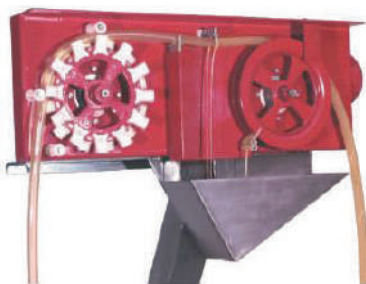
Magnetic filtration is the most effective means of removing problem ferrous particles from industrial fluids such as coolants, lubricants and wash solutions.

All the benefits of Eclipse Magnetic filters are based on their ability to remove 100%* of ferrous particles including sub-micron particles from the process.

Friess Oil Skimmer

Oil skimmer model S 100

compact oil skimmer



Oil skimmer model W40

accessories and option



Oil skimmer model 1X

A small compact appliance with a large lifting height for tanks with a surface of up to 1m²



Special features :

The oil skimmer model W40 can be adapted to various shapes of tanks : round or rectangular open or closed , above or under ground . The oil collector tube will cover the total surface of the tank. It creates a continuous flow on the surface of the liquid and will attract and remove the oil even from the corners of the tank. The oil skimmer model W40 is designed for continuous operation in industrial applications. The oil skimmer model W40 is made of stainless steel . Drive wheel and scrapers are equipped with highly abrasion resistant ceramic parts and guarantee extended periods of usage even when used for highly contaminated coolants or degreasing baths .



Oil skimmer model W40 at coolant tank



Oil skimmer model W40 at waste water tank

XTS

XTS Technologies



Our Background

At XTS Technologies, our mission is to help the never ceasing growth of global manufacturing through technology driven and state of the art surface treatment solutions, without neglecting the essence of cost effectiveness.

The nature of our business varies from precision industrial cleaning solution, filtration system, all the way to automation and engineering.

Our 'Xcellent Total Solution' strategy builds on our expertise in technology and outsourcing to help clients perform at the highest levels so they can create sustainable value for their clients and shareholders.

FIND US ON:



No. 21, Jalan MJ14, Taman Industri Meranti Jaya ,
47120 Puchong, Selangor, Malaysia.

T : +6(03) 8066 2496 F : +6(03) 8066 2496

Email: xteven.teoh@xtstech.com

Website : www.xtstech.com