

350W Single Output Switching Power Supply

HF350W-SF Series



FEATURES

- AC input range selected by switch
- Japanese brand components for key parts
- Electrolytic capacitors all 105°C
- Built-in fan speed control
- Approvals: CE (LVD)
- Protections: overload/ over voltage/ over temperature/ short circuit
- 5 years limited warranty
- F630C 215 x 115 x 50mm

SPECIFICATIONS

Input Voltage	85~132/170~264VAC switchable
Input Current	7.0A/115V, 3.5A/230V
Input Frequency	47~63Hz
Inrush Current	cold start, 20A/115V, 40A/230V
Input Leakage Current	< 1mA/230VAC
Line Regulation (full load)	± 0.5%
Voltage Adjust Range	± 10%
Output Overload Protection	110~130%, shut off, re-power on to recover
Output Over Voltage Protection	115~150%, shut off, re-power on to recover
Short Circuit Protection	shut off, re-power on to recover
Rise Time	50ms @full load (typical)
Hold up Time	20ms @full load (typical)
Mechanical Feature	enclosed
Dimensions	215 x 115 x 50mm (L x W x H)

Operating Temperature	-20°C ~+70°C(ref. derating curve)
Storage Temperature	-20°C ~+85°C
Operating Humidity	20%~93%RH(non condensing)
Storage Humidity	20%~95%RH(non condensing)
MTBF	>100,000 hours
Cooling	by fan, speed controlled by internal temperature, low speed before the setting point, and full speed after the setting point
Safety Standards	GB4943, UL60950, EN60950
EMC Standards	GB9254, EN55022 Class A
Withstand Voltage	I/P -O/P: 3.0KVAC/1min I/P - PE: 1.5KVAC/1min O/P-PE: 0.5KVAC/1min
Vibration	10~150Hz, 2G 10min/1cycle, 30min each along X, Y, Z axes
Connection	9P/9.5mm screw terminal block
Packing	0.98kgs, 20pcs/21.5kgs/0.045CBM per carton

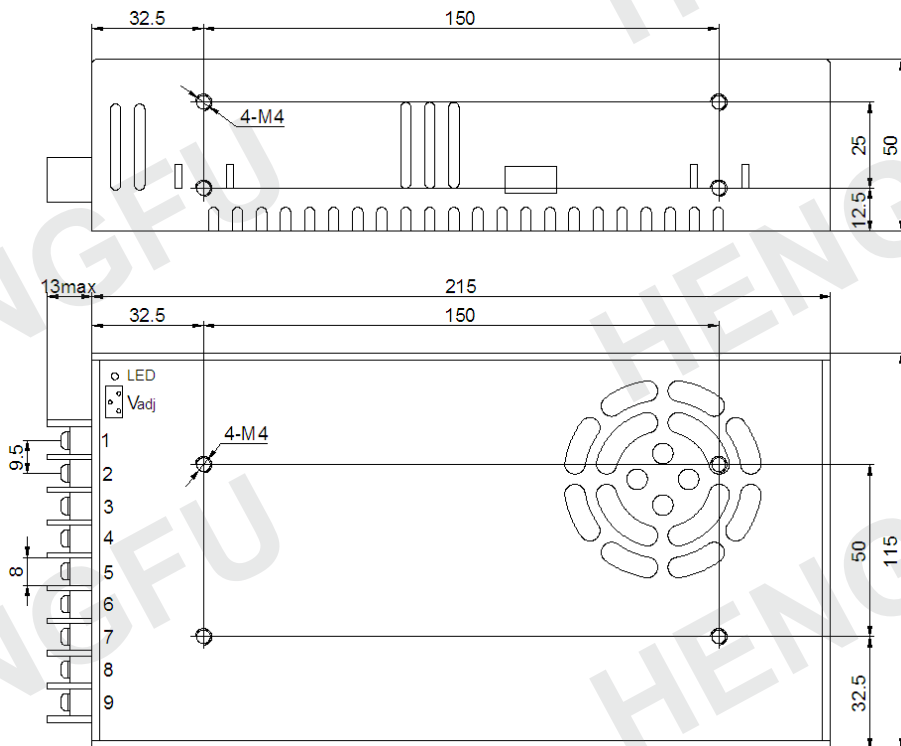
Model No.	DC Output	Rated Power	Load Regulation	Voltage Tolerance	Ripple & Noise (max.)	Efficiency
HF350W-SF-5	5V 60.0A	300.0W	0.5%	± 2%	120mVp-p	77%
HF350W-SF-7.5	7.5V 40.0A	300.0W	0.5%	± 1%	120mVp-p	80%
HF350W-SF-12	12V 29.0A	348.0W	0.5%	± 1%	150mVp-p	82%
HF350W-SF-13.5	13.5V 25.8A	348.3W	0.5%	± 1%	150mVp-p	84%
HF350W-SF-15	15V 23.2A	348.0W	0.5%	± 1%	150mVp-p	83%
HF350W-SF-24	24V 14.6A	350.4W	0.5%	± 1%	150mVp-p	85%
HF350W-SF-27	27V 13.0A	351.0W	0.5%	± 1%	200mVp-p	84%
HF350W-SF-48	48V 7.3A	350.4W	0.5%	± 1%	240mVp-p	87%

* 3~48VDC output all available

NOTE

1. All parameters are measured at 230VAC input, rated load and 25°C ambient temperature.
2. Line regulation is measured from low line to high line at rated load.
3. Load regulation is measured from 0% to 100% of rated load for single output models. For multi-output models, it is measured from 20% to 100% of rated load, and other output at 60% rated load.
4. Ripple & noise are measured at 20MHz of bandwidth by using a 12" twisted pair-wire terminated with a 0.1uF & 47uF parallel capacitor.
5. The power supply is regarded as a component which will be installed into the final equipment. The final equipment must be re-confirmed that it still meets EMC directives.

Drawing



Length of assembly screw: max. 6mm

Terminal Pin No. Assignment

Pin No.	Assignment	Pin No.	Assignment
1,2,3	DC OUTPUT +V	7	PE
4,5,6	DC OUTPUT -V	8	AC/N
		9	AC/L

Derating Curve

