

◆ Feature

- .Constant voltage design
- .Universal AC input / Full range
- .Small dimension, High efficiency, High reliability, Long lifetime
- .Ip66 design for outdoor installation
- .Working temperature: -25°C~+50°C
- .Protections: Overload, Over voltage, Short-circuit, etc.
- .Typical efficiency: 89%
- .CE\UL\IP66 certified, RoHS compliant
- .100% full load burn-in test.



SPECIFICATION

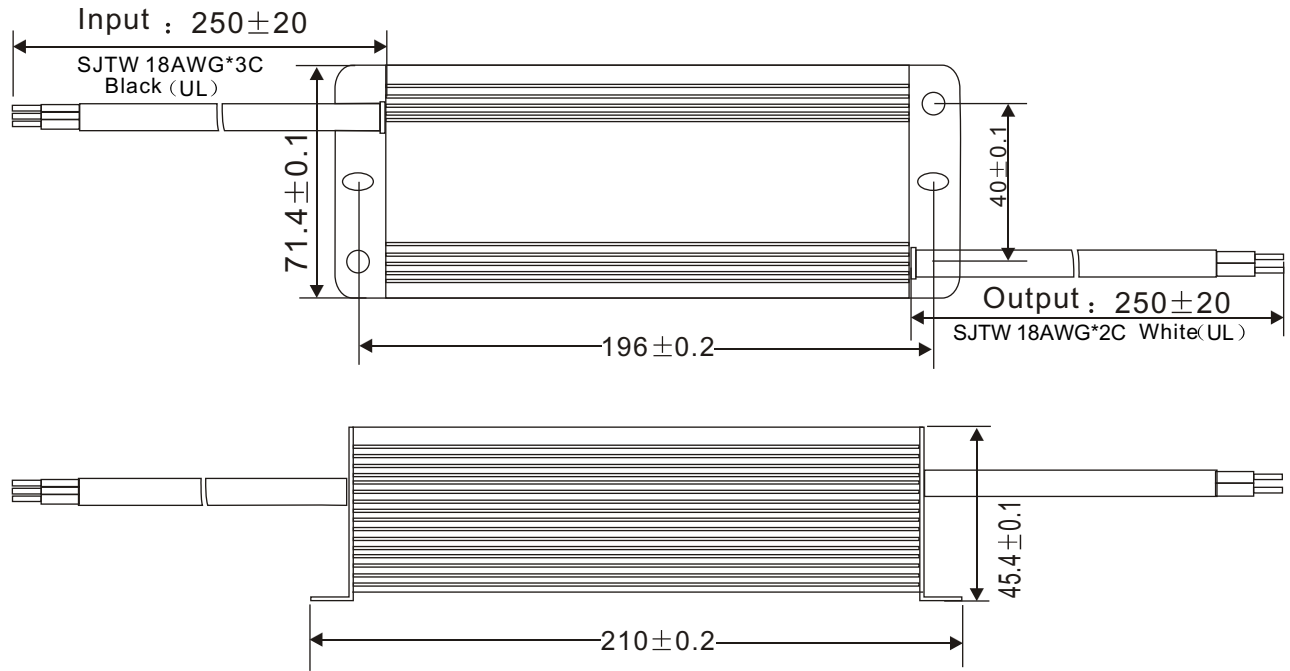
Model Number		VF-12100D0242	VF-24100D0242	VF-36100D0242		
Output	DC Voltage	12V	24V	36V		
	Rated current	8.34A	4.17A	2.78A		
	Current range	0-8.34A	0-4.17A	0-2.78A		
	Rated power	100W	100W	100W		
	Ripple and Noise(max.) Note4	120mVp-p	240mVp-p	360mVp-p		
	Voltage tolerance Note3	±4%	±2%	±2%		
	Line regulation	±1%	±0.5%	±0.5%		
	Load regulation	±2%	±1%	±1%		
	Output groups	1	1	1		
	Set up time Note6	2000ms, 50ms(at full load) 110Vac/230Vac				
Holding time(Typ.)	15ms(at full load) 110Vac/ 230Vac					
Input	Voltage range Note 2	90~305Vac or 127~432Vdc				
	Frequency range	47~63Hz				
	Power factor(Typ.)	PF≥0.50/110V(at full load) PF≥0.45/230V(at full load)				
	Efficiency(Typ.)	86%	88%	89%		
	AC current	1.89A/110Vac 1.00A/230Vac				
	Inrush current(Typ.)	Cold start: 55A/230Vac				
	Leakage current	<0.75mA/240Vac				
Protection	Over load	102%-125% of the rated output power Protection mode: constant current limiting, recovers automatically after the load reduced.				
	Short circuit	Protection type: Hiccup mode, recovers automatically after fault conditions removed				
	Over voltage	13.0-18.0V	24.5-35.0V	37.5-50.0V		
	Over temperature	Ta:55°C-65°C Protection type: Shut down O/P voltage, recovers automatically after temperature goes down.				
Environment	Working temperature	-25°C~+50°C				
	Working humidity	10%~90%RH, non-condensing				
	Storage temp. and humidity	-25°C~+75°C, 5%~95%RH				
	Temp. coefficient	±0.05%/°C (0~40°C)				
	Vibration	10-300Hz, 1G 10min./cycle, period for 60min. each along X, Y, Z axes				
Safe and EMC	Safety standards	Compliance to UL8750,EN61347-1, EN61347-2-13, Ip66 waterproof rating.				
	Withstand voltage	I/P-O/P: 3.75KVAC I/P-FG: 1.875KVAC O/P-FG: 0.5KVAC				
	Insulation resistance	I/P-O/P, I/P-FG, O/P-FG: 100Mohms/500Vdc 25°C /70%RH				
	EMC Emission	/				
	EMC Immunity	/				
Others	MTBF	≥200Khrs, MIL-HDBK-217F(25°C)				
	Dimension	210X71.5X45.5mm(L*W*H)				
	Packing	1.05Kg/PCS, 10PCS/10.5Kg/box, (320X245X200 mm)				

NOTE

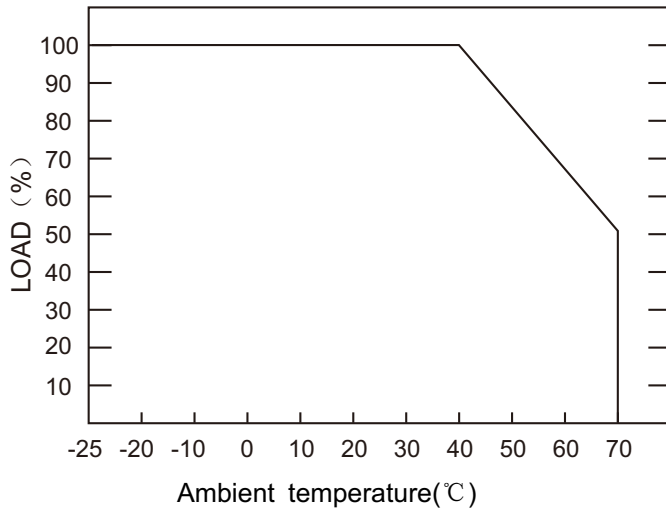
1. All parameters NOT specially mentioned are measured at 230VAC input, rated load and 25°C of ambient temperature.
2. Derating may be needed under low input voltages. Please check the static characteristics for more details.
3. Tolerance: includes set up tolerance, line regulation and load regulation.
4. Ripple & noise are measured at 20MHZ of bandwidth by using twisted pair-wire terminated with a 0.1uf & 47uf parallel capacitor.
5. The power supply is considered as a component that will be operated in combination with final equipment. Since EMC performance will be affected by the complete installation, the final equipment manufacturers must re-confirm EMC Directive on the complete installation.
6. The start time was tested under the situation of cold star, continuous switching on/off may raise the start time.

■ Mechanical Specification

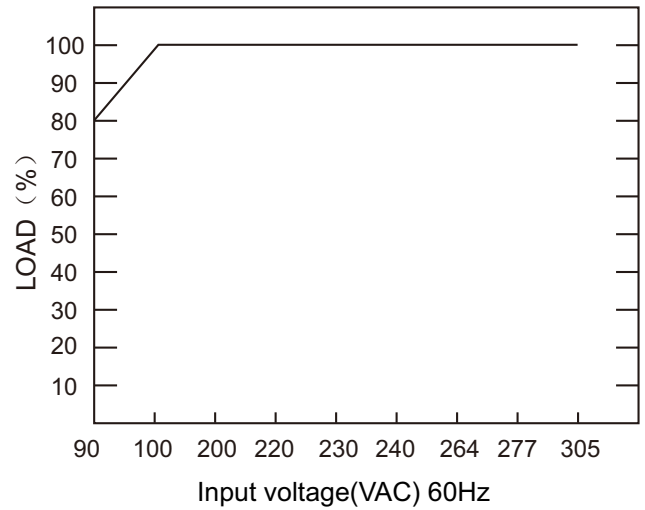
Case No. D0242 Unit: mm




■ Derating Curve



■ Static Characteristics



The above is Taurus standard product, customized product is available. We TAURAS has the right to ultimate interpretation.

Designed by		Standardization		D0242 type	Version: 2.0
Corrected by		Approved by		 珠海市金兴科技有限公司 ZHUHAI TAURAS TECHNOLOGIES CO., LTD	
Checked by					