

◆Feature

- . Constant voltage design
- . High input voltage
- . Small dimension, High efficiency, High reliability, Long lifetime
- . Ip66 design for outdoor installation
- . Working temperature: -25°C~+50°C
- . Protections: Overload, Over voltage, Short-circuit, etc.
- . Typical efficiency: 90.5%
- . CE\IP66 certified, RoHS compliant
- . 100% full load burn-in test.



SPECIFICATION

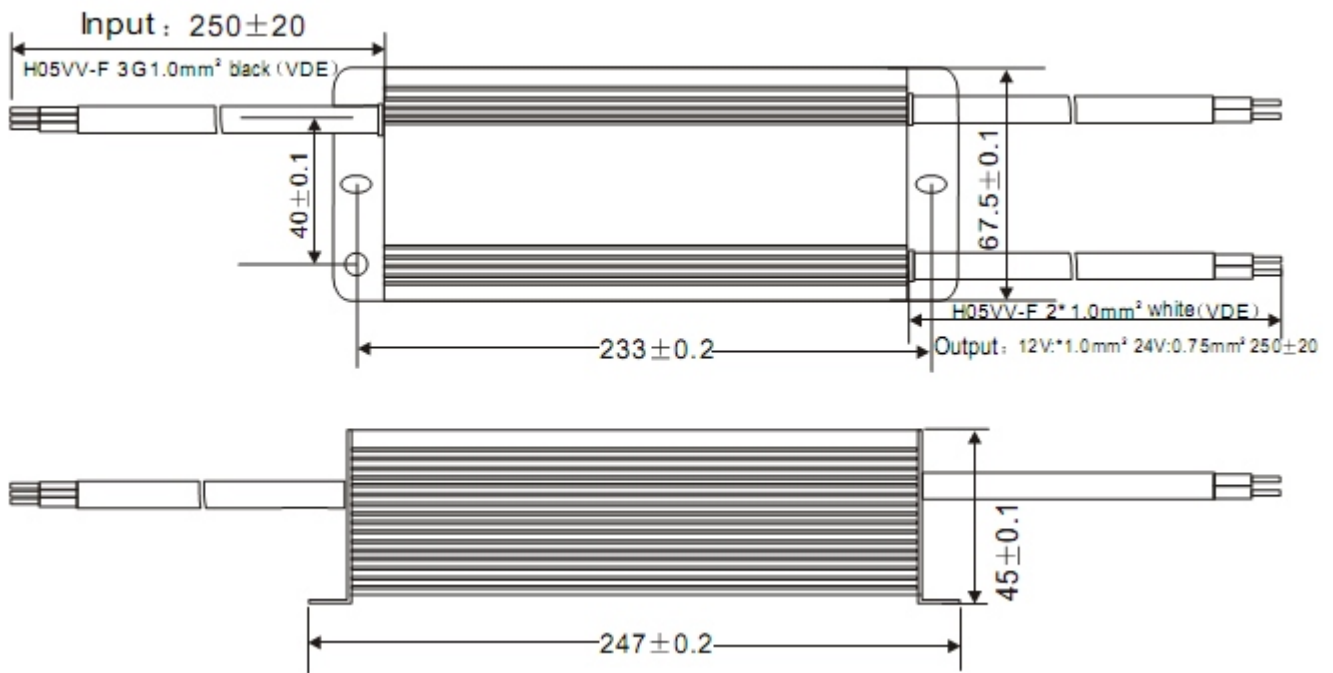
Model Number		VAS-12200D0873	VAS-24200D0873		
Output	DC Voltage	12V	24V		
	Rated current	16.67A	8.34A		
	Current range	0-16.67A	0-8.34A		
	Rated power	200W	200W		
	Ripple and Noise(max.) Note4	120mVp-p	240mVp-p		
	Voltage tolerance Note3	±4%	±2%		
	Line regulation	±1%	±0.5%		
	Load regulation	±2%	±1%		
	Output groups	2	2		
	Set up time Note6	2000ms, 50ms(at full load) 230Vac			
Holding time(Typ.)	15ms(at full load) 230Vac				
Input	Voltage range Note 2	170~264Vac or 240~374Vdc			
	Frequency range	47~63Hz			
	Power factor(Typ.)	PF≥0.9/230V(at full load)			
	Efficiency(Typ.)	89.5%	90.5%		
	AC current	1.6A/170Vac 1.17A/230Vac			
	Inrush current(Typ.)	Cold start: 65A/230Vac			
Leakage current	<0.75mA/240Vac				
Protection	Over load	110%-130% of the rated output power Protection mode: constant current limiting, recovers automatically after the load reduced.			
	Short circuit	Protection type: Hiccup mode, recovers automatically after fault conditions removed			
	Over voltage	13.0-18.0V	24.5-35.0V		
	Over temperature	55°C~65°C Protection type: Shut down O/P voltage, recovers automatically after temperature goes down.			
Environment	Working temperature	-25°C~+50°C			
	Case temperature	\			
	Working humidity	10%~90%RH, non-condensing			
	Storage temp. and humidity	-25°C~+75°C, 5%~95%RH			
	Temp. coefficient	±0.05%/°C (0~40°C)			
Safe and EMC	Vibration	10-300Hz, 1G 10min./cycle, period for 60min. each along X, Y, Z axes			
	Safety standards	Compliance to EN61347-1, EN61347-2-13, Ip66 waterproof rating.			
	Withstand voltage	I/P-O/P: 3.75KVAC I/P-FG: 1.875KVAC O/P-FG: 0.5KVAC			
	Insolation resistance	I/P-O/P, I/P-FG, O/P-FG: 100Mohms/500Vdc 25°C/70%RH			
	EMC Emission	Compliance to EN55015, EN61000-3-2, EN61000-3-3			
Others	EMC Immunity	Compliance to EN61547, EN61000-4-2,3,4,5,6,8,11			
	MTBF	≥200Khrs, MIL-HDBK-217F(25°C)			
	Dimension	247X67.5X45mm(L*W*H)			
	Packing	1.2Kg/PCS, 10PCS/12Kg/box, (320X295X195mm)			

NOTE

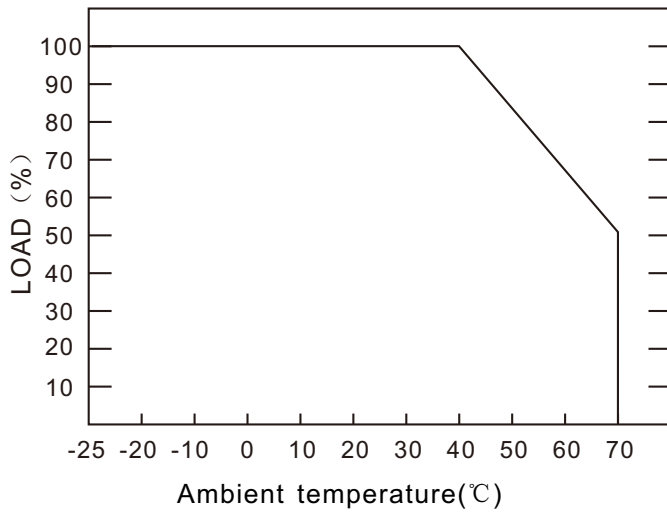
1. All parameters NOT specially mentioned are measured at 230VAC input, rated load and 25°C of ambient temperature.
2. Derating may be needed under low input voltages. Please check the static characteristics for more details.
3. Tolerance: includes set up tolerance, line regulation and load regulation.
4. Ripple & noise are measured at 20MHZ of bandwidth by using twisted pair-wire terminated with a 0.1uf & 47uf parallel capacitor.
5. The power supply is considered as a component that will be operated in combination with final equipment. Since EMC performance will be affected by the complete installation, the final equipment manufacturers must re-confirm EMC Directive on the complete installation.
6. The start time was tested under the situation of cold star, continuous switching on/off may raise the start time.

■ Mechanical Specification

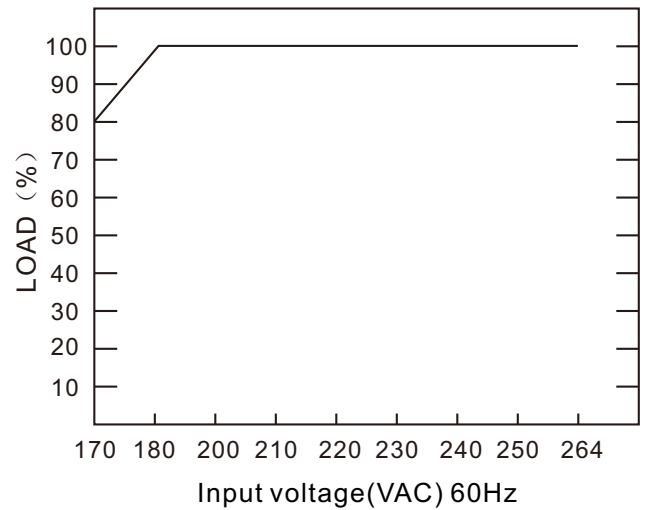
Case No. D0873 Unit: mm




■ Derating Curve



■ Static Characteristics



The above is Taurus standard product, customized product is available. We TAURAS has the right to ultimate interpretation.

Designed by		Standardization		D0873 type	Version: 2.0
Corrected by		Approved by		 珠海市金兴科技有限公司 ZHUHAI TAURAS TECHNOLOGIES CO., LTD	
Checked by					