



APPLICATION**
FOOT OPERATED SINK
(500 x 450 x 850mm)



CHEMICAL-FREE DISINFECTION

AUTOMATIC WATER SANITATION SYSTEM (WSS)

Water and waterline disinfection . Protects against waterline biofilm growth



Kills up to **99.99%** of bacteria and viruses

3000x
faster

Effective sanitation
(vs chlorine)

50x
stronger

Oxidation performance
(vs chlorine)



Protects against pathogens



Reduces costs and labour hours

AUTOMATIC WATER SANITATION SYSTEM (WSS)



Automatic Water Sanitation System (WSS) applies a revolutionary AOP (Advanced Oxidation Process) technology that can convert your regular tap water into Ozone Water.

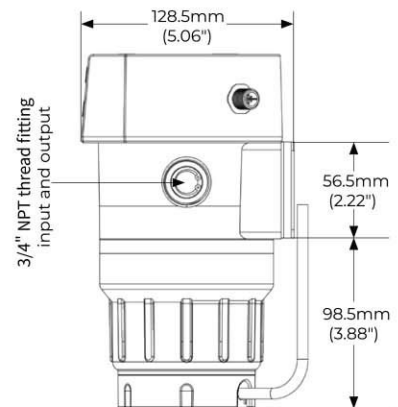
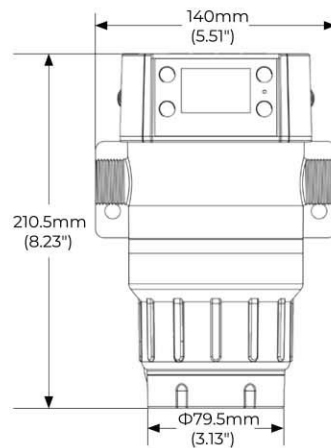
FEATURES :

- Easy integration into existing water supply.
- Turning tap water into powerful natural disinfectant.
- An endless supply of hygienic sanitization.
- Chemical-free.
- Notification for service.
- SAFE. After interacts with bacteria/virus, it converted to Oxygen Gas (O₂).



SPECIFICATIONS :

| | |
|--|---|
| Model | EOS7177-Q |
| Application | Tap water point-of-use integration Residential |
| Connection | 3/4" |
| Flow Rate (at 3 kg/cm²)* | Max. 1700LPH@3bar; 2000LPH@4bar; 3200LPH@7bar |
| Ozone Concentration | 0.5 - 2ppm** |
| Max. Pressure | 7kg/cm ² (100psi) |
| Power Supply | AC 100-240V, 50/60Hz |
| Power Consumption | 100W |
| Water Source | Clean Tap Water*** |
| Water Temperature | 1-50°C (34-122°F) |
| Dimensions (WxDxH) | 140 x 128.5 x 210.5 (mm) |
| Weight (Net) | 1.2 kg |
| Protection Class | IP56 |



Cartridge Life

- Approx. 1000 hr, depending upon water quality and operation mode.
- Indicator lamp shows status, telling when it is due for replacement.

Warranty

- Limited warranty against defects in materials and workmanship for 2 years.
- 1 year parts-only on cartridge.
- Normal usage exclusions apply, detailed in Operation Manual.

* Recommended flow for application

** Total oxidation concentration, depends on water supply quality of each territory.

*** Filtered to ≤ 1µm, TDS 60-300 mg/l, Hardness < 180 mg/l as Ca3CO

Note: WSS does not replace water filtration.
For best results, always connect WSS in the water supply behind the filtration system.

**Foot operated sink and FOS are sold separately.

** SGS & ATS report tested and proven

Product image is for reference only. All information in this brochure is subjected to change without prior notice. All logos and trademarks shown here are the property of their representative owners. © 2020 Biolux Network (Asia) Sdn. Bhd. All Rights Reserved.