

Back Pressure Regulators

BPR-1, BPR-2 and BPR-3 Series



FITOK
Valves and Fittings

www.fitokgroup.com

Back Pressure Regulators

BPR-1 Series Back Pressure Diaphragm Regulators

Features

- ⦿ Metal-to-metal seal with convoluted diaphragm
- ⦿ Close pressure differential between crack and reseal
- ⦿ Panel mounting available

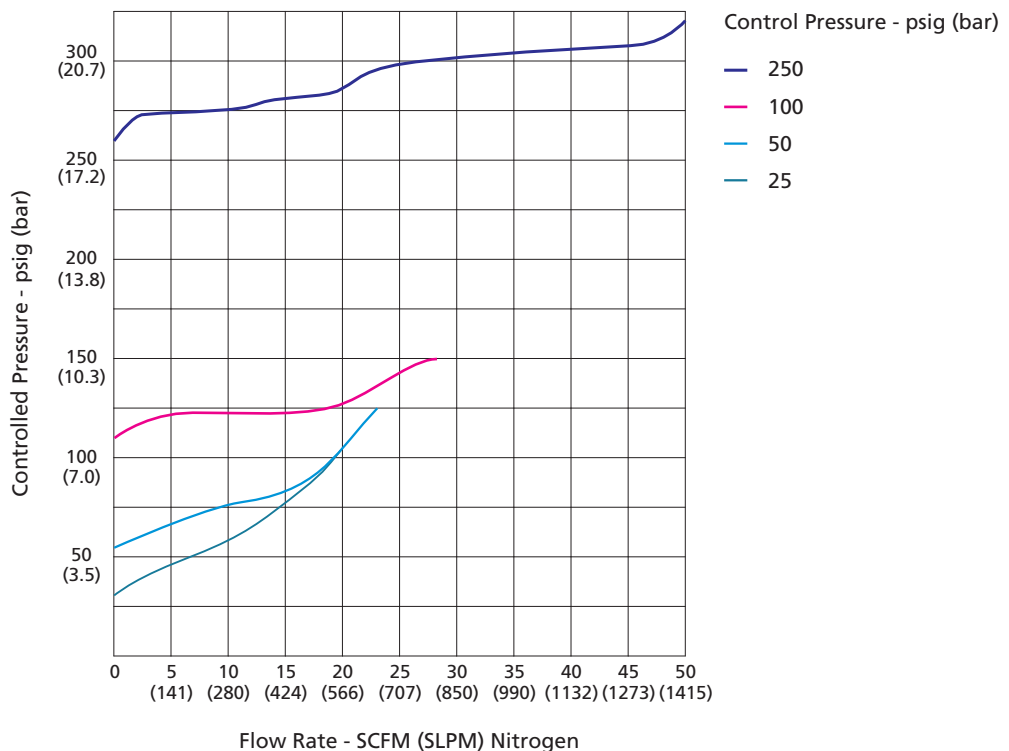
Technical Data

- ⦿ Maximum control pressure: 250 psig
- ⦿ Pressure control range: 0~25, 0~50, 0~100 or 0~250 psig
- ⦿ Material of the main components:
 - Seat: PCTFE
 - Diaphragm: Hastelloy
- ⦿ Temperature: -15°F~+165°F (-26°C~+74°C)
- ⦿ Leak rates:
 - Internal: Bubble-tight
 - External: $\leq 1 \times 10^{-9}$ mbar · l/s helium
- ⦿ Flow coefficient (Cv): 0.3
- ⦿ Weight: ≈ 1.98 lbs (0.9 kg)
- ⦿ Body ports: 1/4" female NPT for inlet, outlet and gauge



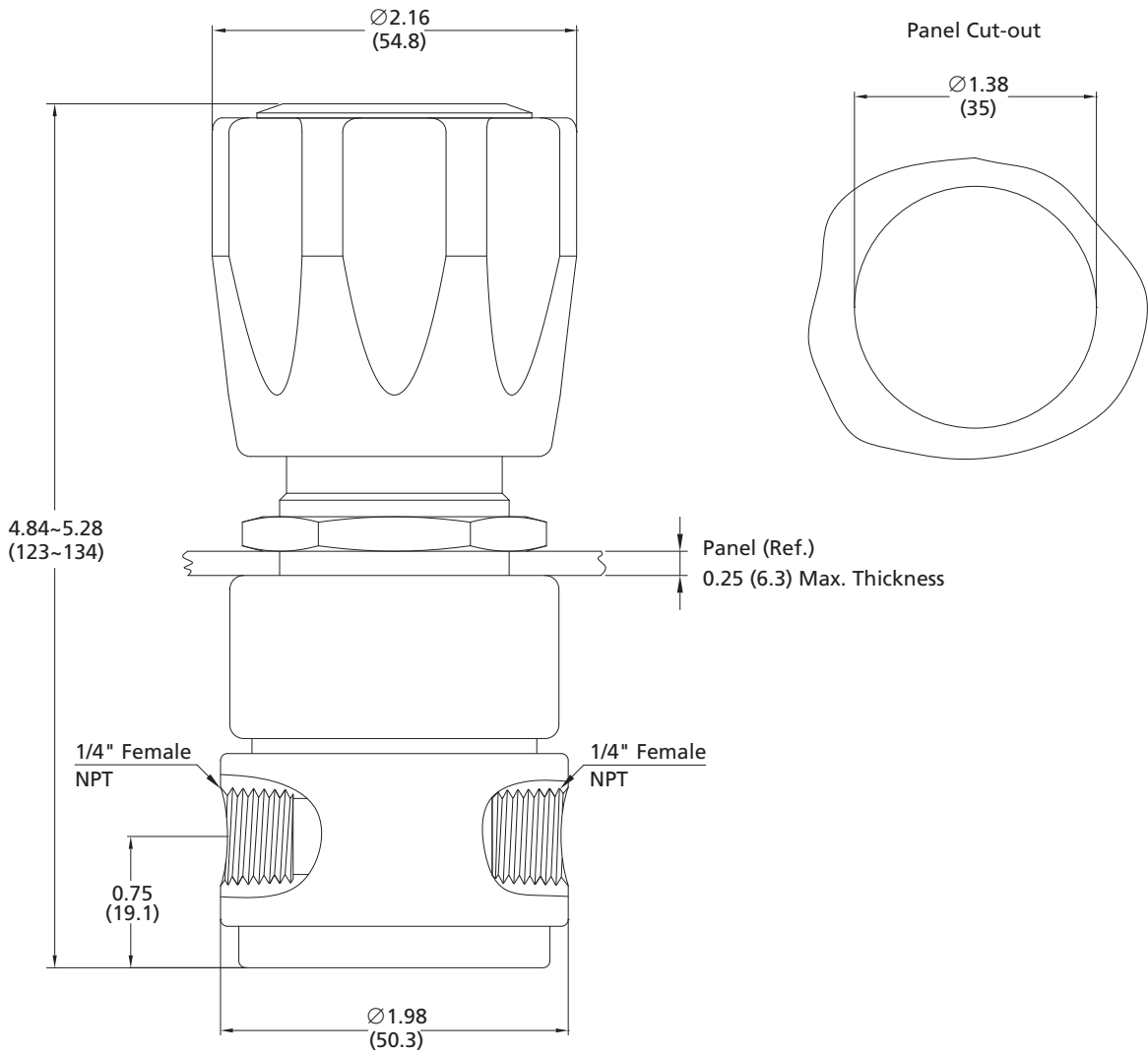
Model: BPR-16L-250-00-00

Typical Flow Chart

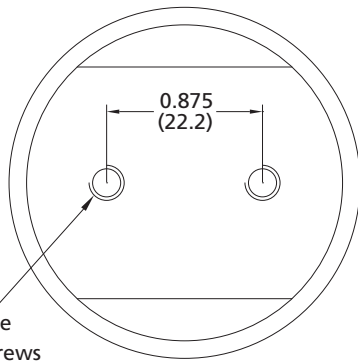


Dimensions

Dimensions, in inches (millimeters), are for reference only.

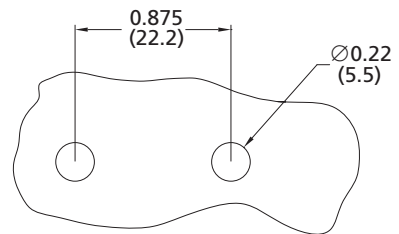


Bottom View

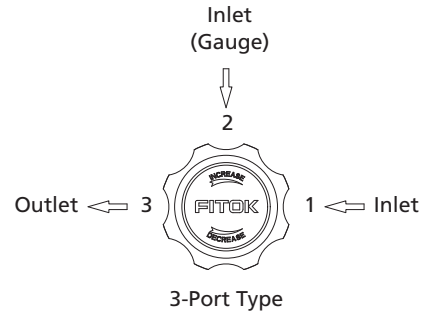
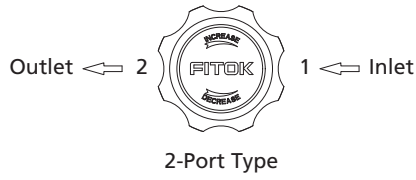


$2 \times M5 \times 0.8-6H$ thread
The holes are compatible with 10-32 mounting screws

Bottom Panel Cut-out

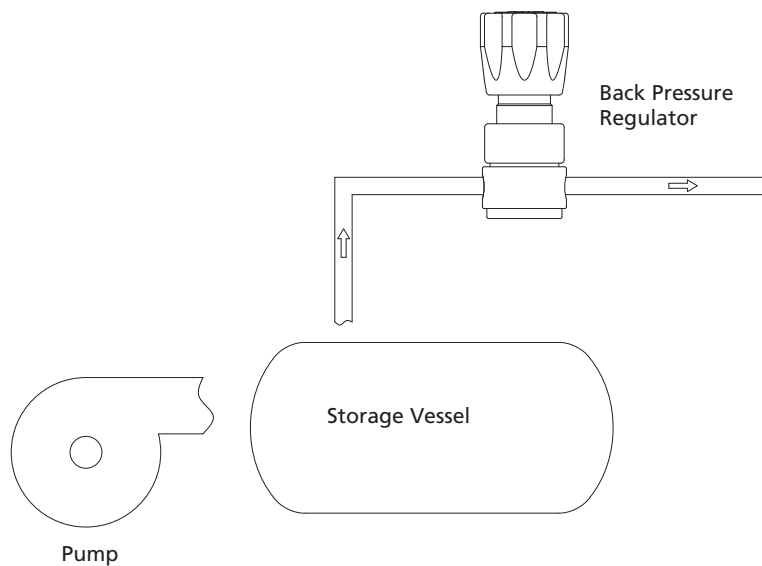


Port Configurations



Typical Application

When the system pressure is lower than the set pressure, the diaphragm obstructs the flow by the force of spring. When the system pressure is higher than the set pressure, the diaphragm compresses the inner spring to connect the flow so as to allow the fluid to pass through the back pressure regulator to keep the pressure of the Storage Vessel stable.



Part Number Description

BPR – 16L – 100 – 10 – M – 11

Body Material		Pressure Control Range P	Connection 1		Connection 2		Connection 3	
6L	316L SS	25	0~25 psig	00	1/4" Female NPT	B	With Gauge (psi/bar)	Same as Connection 1
SS	316 SS	50	0~50 psig	01	1/4" Male NPT	M	With Gauge (MPa)	
B	Brass (Nickel-plated)	100	0~100 psig	10	1/4" Tube Fitting	P	Plug	
		250	0~250 psig	11	3/8" Tube Fitting	00	1/4" Female NPT	
				20	6 mm Tube Fitting	01	1/4" Male NPT	
				21	8 mm Tube Fitting	10	1/4" Tube Fitting	
				Other connections are available upon request		Other connections are available upon request		

Examples of part number:
 a. 2-port type (1 in, 1 out): BPR-16L-25-00-00

Back Pressure Regulators

BPR-2 Series Back Pressure Piston Regulators

Features

- ⦿ Durable piston-sensed design
- ⦿ Bubble-tight shutoff at all reseating pressure
- ⦿ Low operating torque
- ⦿ Panel mounting available
- ⦿ With special cleaning and packaging, applicable to oxygen-enriched environments

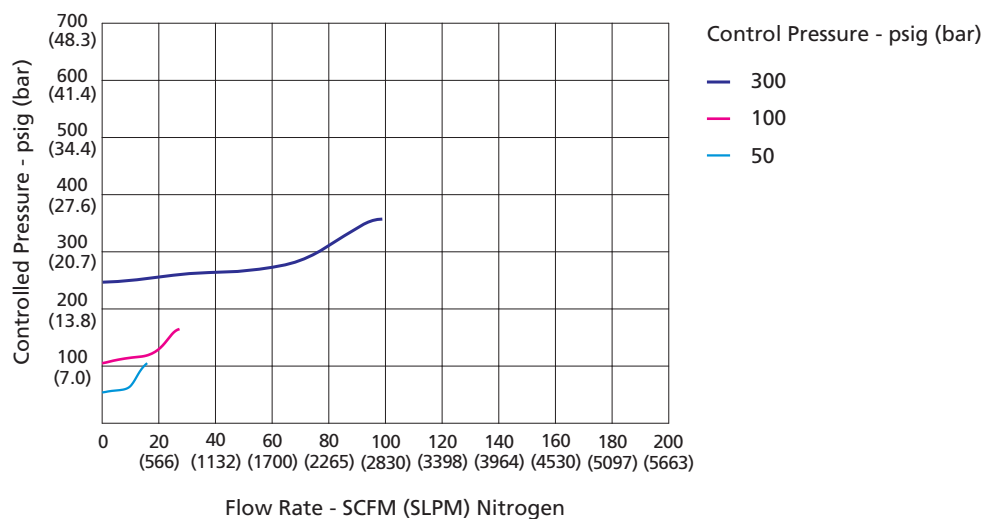
Technical Data

- ⦿ Maximum control pressure: 1000 psig
- ⦿ Pressure control range: 50~300, 100~500 or 200~1000 psig
- ⦿ Material of the main components:
 - Piston: 316L
 - O-rings: Viton or Kalrez
- ⦿ Temperature: -15°F~+165°F (-26°C~+74°C)
- ⦿ Leak rates:
 - Internal: Bubble-tight
 - External: Bubble-tight
- ⦿ Flow coefficient (Cv): 0.3
- ⦿ Weight: ≈1.98 lbs (0.9 kg)
- ⦿ Body ports: 1/4" female NPT for inlet, outlet and gauge



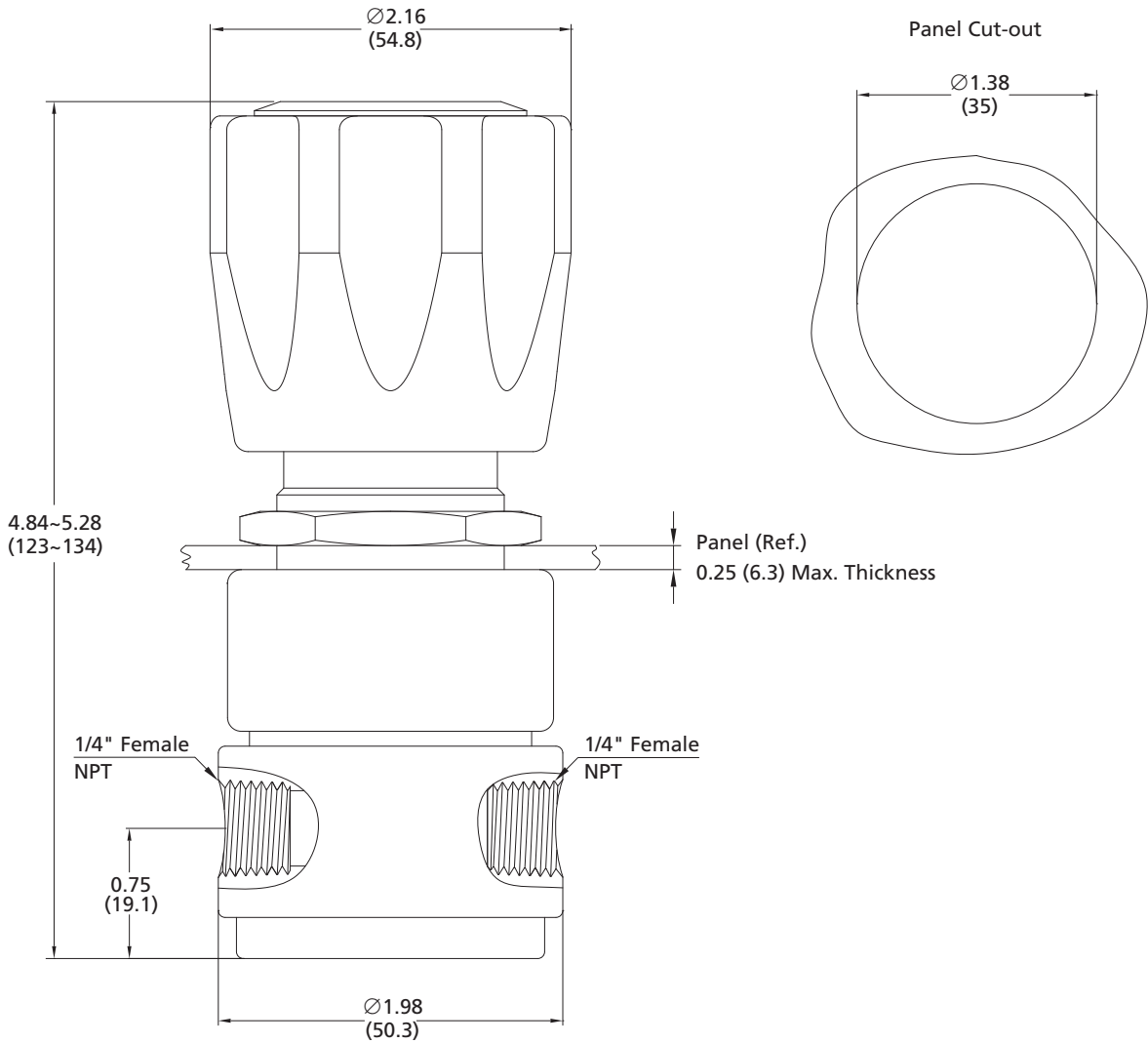
Model: BPR-26LZ-300-00-00

Typical Flow Chart

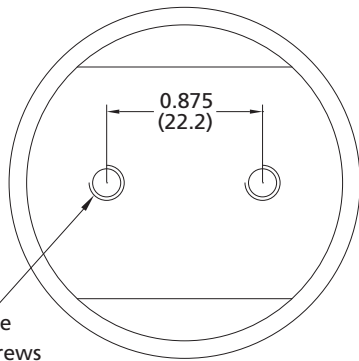


Dimensions

Dimensions, in inches (millimeters), are for reference only.

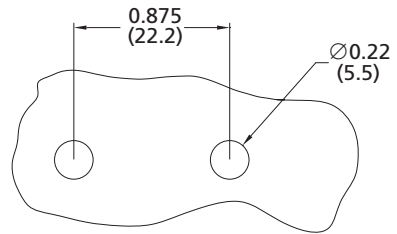


Bottom View

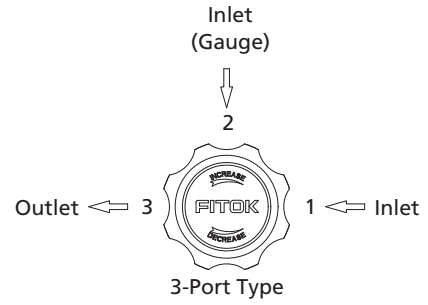
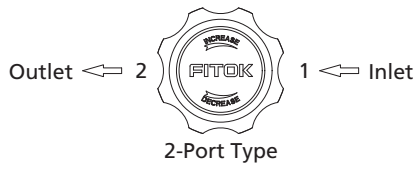


$2 \times M5 \times 0.8-6H$ thread
The holes are compatible with 10-32 mounting screws

Bottom Panel Cut-out

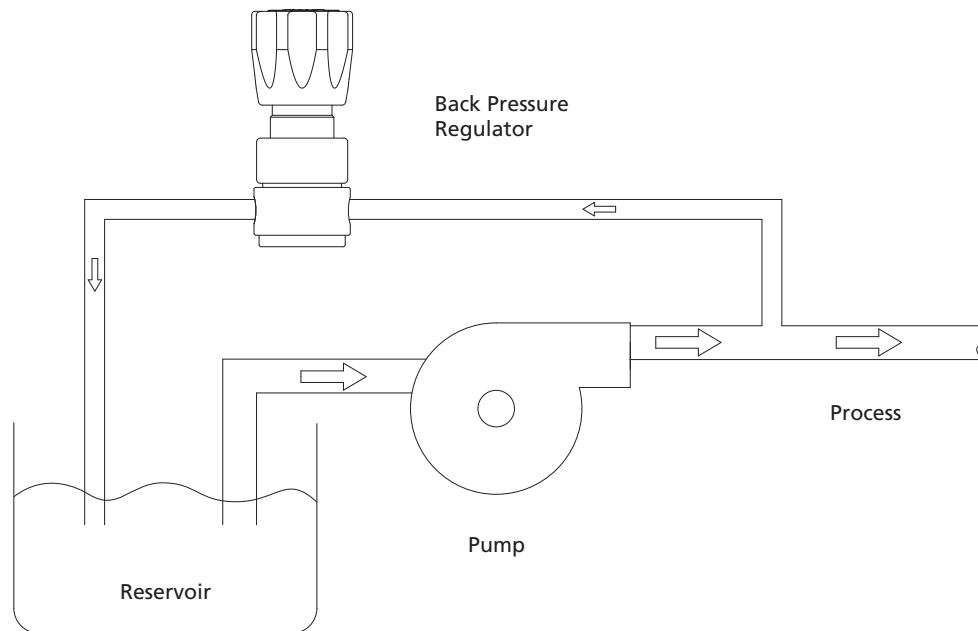


Port Configurations



Typical Application

BPR-2 Series Back Pressure Regulators maintain the required pipeline pressure to ensure the Pump to output fluid stably when system pressure fluctuates.



Part Number Description

BPR – 26L Z – 300 – 10 – M – 11

Body Material		Pressure Control Range P		Connection 1		Connection 2		Connection 3	
6L	316L SS	300	50~300 psig	00	1/4" Female NPT	B	With Gauge (psi/bar)	Same as Connection 1	
SS	316 SS	500	100~500 psig	01	1/4" Male NPT	M	With Gauge (MPa)		
B	Brass (Nickel-plated)	1000	200~1000 psig	10	1/4" Tube Fitting	P	Plug		
O-ring Material Viton Z Kalrez				11	3/8" Tube Fitting	00	1/4" Female NPT		
				20	6 mm Tube Fitting	01	1/4" Male NPT		
				21	8 mm Tube Fitting	10	1/4" Tube Fitting		
						Other connections are available upon request		Other connections are available upon request	

Examples of part number:
 a. 2-port type (1 in, 1 out): BPR-2SS-500-00-00

Back Pressure Regulators

BPR-3 Series Back Pressure Piston Regulators

Features

- ⦿ Control of back-pressure up to 10000 psig for gas or liquid application
- ⦿ Safe and reliable piston sensing
- ⦿ 7 pressure control ranges
- ⦿ Panel mounting available
- ⦿ Special cleaning and packaging available for application in oxygen-enriched environments

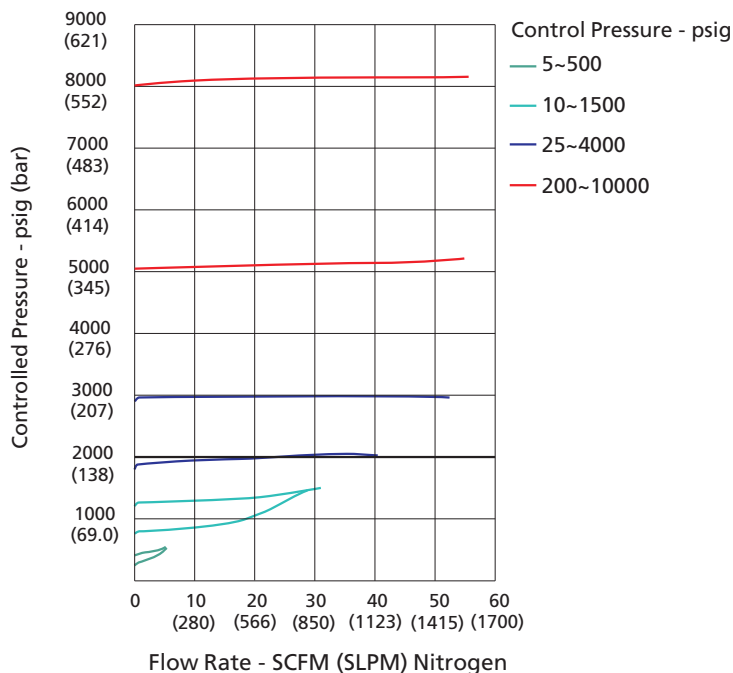
Technical Data

- ⦿ Maximum control pressure:
Stainless steel: 10000 psig
Brass: 6000 psig
- ⦿ Pressure control ranges: 5~500, 5~800, 10~1500, 15~2500, 25~4000, 50~6000, 200~10000 psig
- ⦿ Material of the main components:
Body: 316 SS or brass
Seat: PEEK
Piston: 316L
O-rings: Viton or Kalrez
- ⦿ Temperature: -15°F~+165°F (-26°C~+74°C)
- ⦿ Leak rates:
Internal: Bubble-tight
External: Bubble-tight
- ⦿ Flow coefficient (Cv): 0.25
- ⦿ Weight: ≈5.7 lbs (2.6 Kg)
- ⦿ Body ports: 1/4" female NPT for inlet, outlet, and gauge



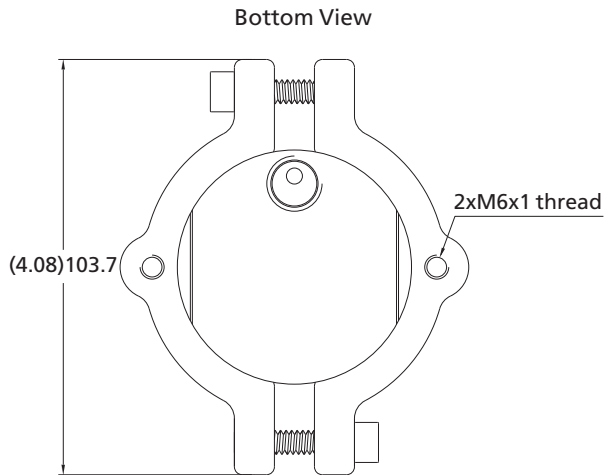
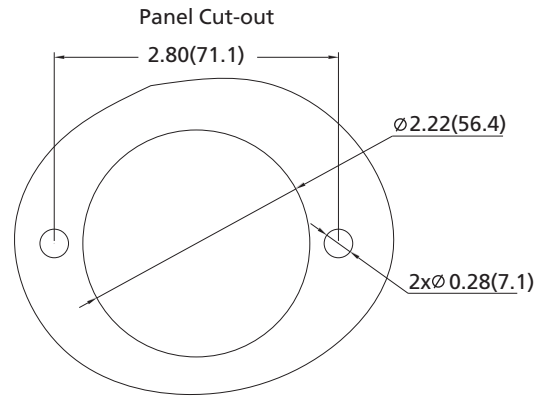
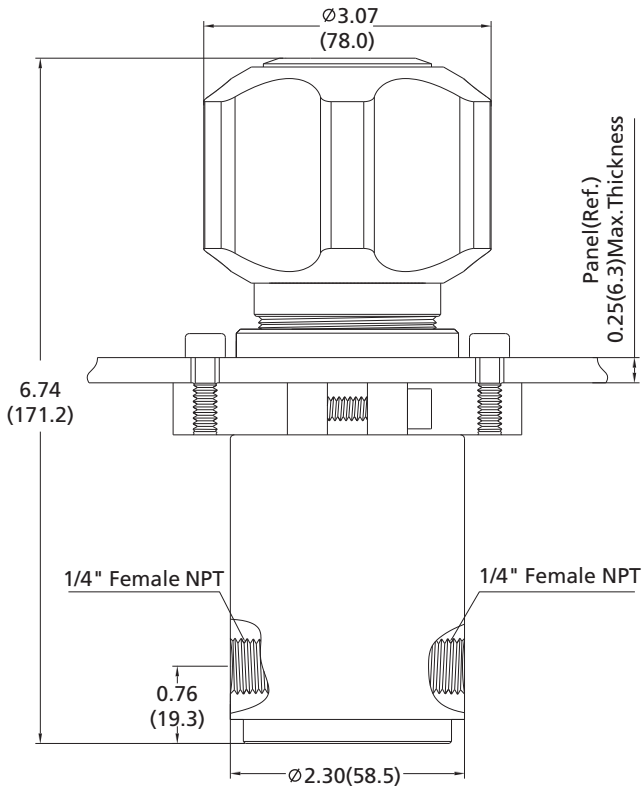
Model: BPR-355-40-00-00

Typical Flow Chart

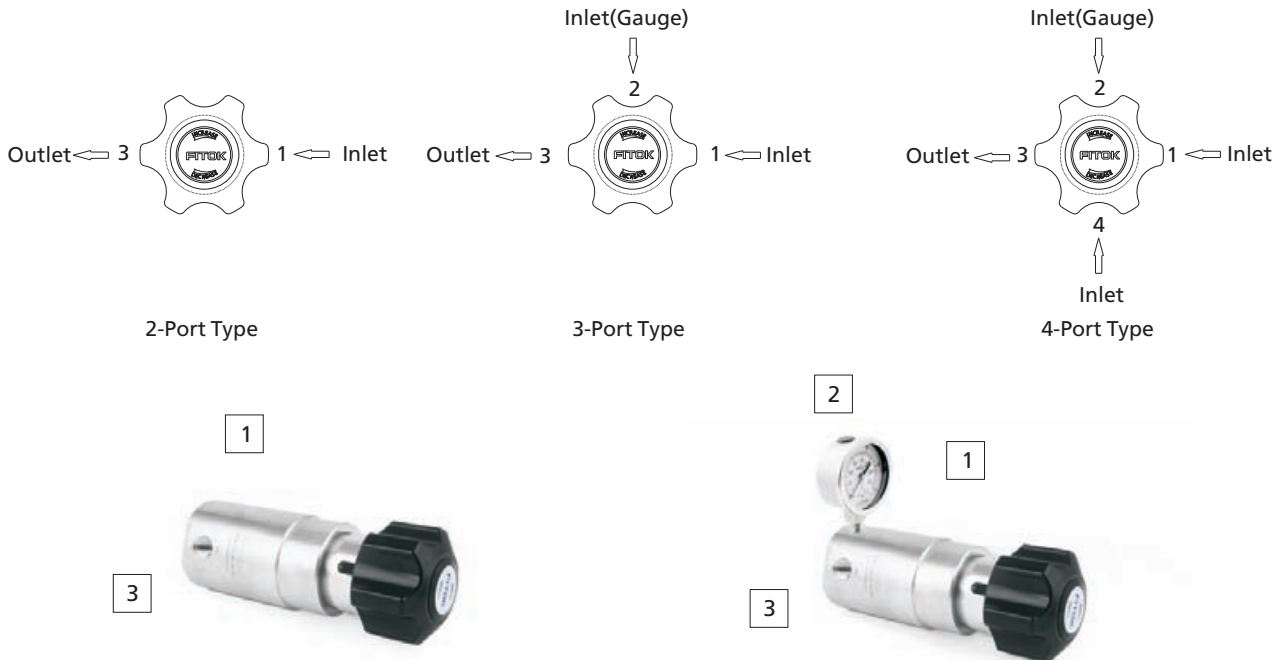


Dimensions

Dimensions, in inches (millimeters), are for reference only.



Port Configurations



Part Number Description

BPR-3B		Z	-	15	-	00	-	B	-	00	-	00	-	Z	-	F2	
Body Material		Pressure Control Range P		Connection 1		Connection 2		Connection 3		Connection 4		Panel Mount		Product Technology Grade			
SS	316 SS	5	5~500 psig	00	1/4" Female NPT	B	With Gauge (psi/bar)	Same as Connection 1	Same as Connection 1							Without	
6L	316L SS	8	5~800 psig	01	1/4" Male NPT	M	With Gauge (MPa)							z		With	
B	Brass(Max. Control Pressure 6000 psig)	15	10~1500 psig	10	1/4" Tube Fitting	P	Plug										
		25	15~2500 psig	11	3/8" Tube Fitting	00	1/4" Female NPT										
		40	25~4000 psig	20	6 mm Tube Fitting	01	1/4" Male NPT										
		60	50~6000 psig	10	1/4" Tube Fitting												
O-ring Material		100	200~10000 psig	21	8 mm Tube Fitting	11	3/8" Tube Fitting										
	Viton					Other connections are available upon request		20	6 mm Tube Fitting								
Z	Kalrez					Other connections are available upon request		21	8 mm Tube Fitting								
						Other connections are available upon request										F2	Special Cleaning and Packaging

Examples of part number:

a. 2-Port type (1 in, 1 out): BPR-3B-25-00-00

b. 3-Port type (2 in, 1 out): BPR-3B-40-00-M-00

c. 4-Port type (3 in, 1 out): BPR-3B-60-00-M-00-00

FITOK Group

FITOK GmbH (Headquarter)

Sprendlinger Landstr. 115, 63069 Offenbach am Main, Germany
Tel.: +49 69 8900 4498 Fax: +49 69 8900 4495

FITOK, Inc.

13843 North Promenade Blvd., Suite 750, Stafford, Texas 77477, USA
Tel.: +1 281 888 0077 Fax: +1 281 582 4051

FITOK Incorporated

Block C, Zone E, Yingtai Industrial Park, Dalang Street,
Longhua New District, Shenzhen, 518109, China
Tel.: +86 755 2803 2500 Fax: +86 755 2803 2619

FITOK Middle East Oil Equipment Trading LLC

208-209, Makateb Building, Airport Road, P.O.Box 185412, Deira, Dubai, UAE
Tel.: +971 4 2959 853 Fax: +971 4 2959 854

info@fitokgroup.com
www.fitokgroup.com

FK-IC-S-01-V-04-EN-161208