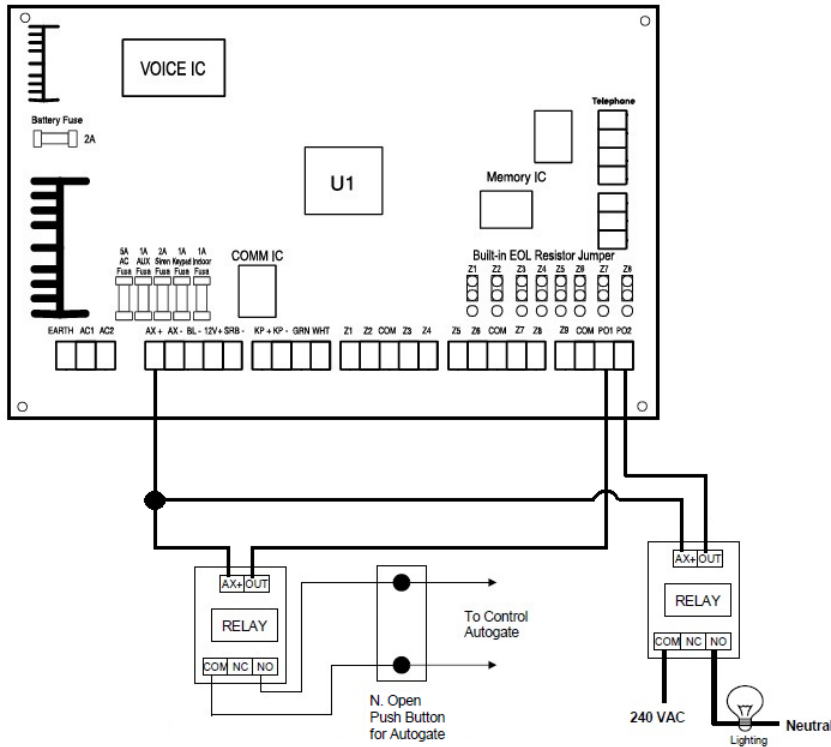


Enable [PO1] & [PO2] as Onboard HA Point 1 & 2 for V16 Plus Mainboard V4.7



System	System Option 1	<p>Zone 1 displayed means enable Partitioning Zone 2 displayed means enable Keypad Buzzer during Entry Delay 1 & 2 Zone 3 displayed means enable Keypad Buzzer during Exit Delay 1 & 2 Zone 4 displayed means enable Keypad Emergency Buttons (F,M,P) Zone 5 displayed means enable Backup Battery Test Hourly Zone 6 displayed means enable Power Up Delay for 2 minutes Zone 7 displayed means onboard HA point 1 is assigned as Pulse (3s) ELSE Latch Zone 8 displayed means onboard HA point 2 is assigned as Pulse (3s) ELSE Latch Zone 9 displayed means enable PO1 as Exit Delay Indicator ELSE Arm/Disarm Indicator Zone 10 displayed means enable PO2 as EM Lock Control ELSE Alarm Triggered Indicator Zone 11 displayed means keyswitch is assigned as Momentary ELSE Latch Zone 12 displayed means keyswitch is assigned as Normally Close ELSE Normally Open Zone 13 displayed means enable Siren Toot ELSE Strobe Light Indication for Keyswitch Arm or Disarm Zone 14 displayed means keyswitch is assigned to Partition 1 Zone 15 displayed means keyswitch is assigned to Partition 2 Zone 16 displayed means enable PO1 & PO2 as onboard HA point 1 & 2 ELSE PGM outputs</p>
--------	-----------------	---

Enable [Z9/RMT] as Onboard Zone 9 (Security Zone) for V16 Plus Mainboard V4.7

System	System Option 2	<p>Zone 1 displayed means enable Entry Delay for Day Arming Zone 2 displayed means enable Exit Delay for Day Arming Zone 3 displayed means enable Entry Delay for Night Arming Zone 4 displayed means enable Exit Delay for Night Arming Zone 5 displayed means Personal Telephone No 1 is assigned to partition 1 Zone 6 displayed means Personal Telephone No 2 is assigned to partition 1 Zone 7 displayed means Personal Telephone No 3 is assigned to partition 1 Zone 8 displayed means Personal Telephone No 4 is assigned to partition 1 Zone 9 displayed means Personal Telephone No 1 is assigned to partition 2 Zone 10 displayed means Personal Telephone No 2 is assigned to partition 2 Zone 11 displayed means Personal Telephone No 3 is assigned to partition 2 Zone 12 displayed means Personal Telephone No 4 is assigned to partition 2 Zone 13 displayed means enable onboard Zone 9 as Security Zone</p>
--------	-----------------	--