

# HF9111

# TO-5 TYPE HIGH TEMPERATURE HERMETICALLY SEALED RELAY



### Features

- Ambient temperature can be 180°C
- High ambient applicability
- Hermetically welded and marked by laser

Conform to GJB1042A-2002 (Equivalent to MIL-R-5757)

### AMBIENT ADAPTABILITY

Ambient temperature	-65 °C to 180 °C	
Humidity	98 %, 40 °C	
Low air pressure	4.39 kPa	
Sine vibration	Frequency	10 Hz to 3000 Hz
	Acceleration	294 m/s <sup>2</sup>
Shock resistance	735 m/s <sup>2</sup>	
Random vibration	40 (m/s <sup>2</sup> )/Hz	
Steady-state acceleration	490 m/s <sup>2</sup>	

### CONTACT DATA

Arrangement		2 C
Contact resistance	Initial max.	125 mΩ
	After life max.	250 mΩ

### Contact ratings

Contact load	Type	Electrical life min.
0.5 A 28 Vd.c.	Resistive	1 x 10 <sup>5</sup> ops
50 μA 50 mVd.c.	Low level	1 x 10 <sup>5</sup> ops

### SPECIFICATION

Insulation resistance min.		10000 MΩ (@ 500 Vd.c.)
Dielectric strength min. (Normal condition)	Between open contacts	500 Vr.m.s.
	Between contact & coil	500 Vr.m.s.
	Between contact & cover	500 Vr.m.s.
	Between contact group	500 Vr.m.s.
	Between coil & cover	500 Vr.m.s.
Dielectric strength min. (Low air pressure condition)		125 Vr.m.s.
Leakage rate max.		1 x 10 <sup>-3</sup> Pa·cm <sup>3</sup> /s
Operate time max.		2 ms
Release time max.		2 ms
Mounting style		See the mounting dimension
Terminals		See the terminal styles
Work position		Random
Weight max.		2.55 g



HONGFA HERMETICALLY SEALED RELAY

## COIL DATA

Norminal coil power Approx.0.5W

### Coil Version

Vd.c.

Order Number	Coil voltage		at 25 °C				-65°C to 125°C		
	Nominal voltage	Value max.	Coil resistance (1±10%)Ω	Pick-up voltage max.	Hold voltage max.	Drop-out voltage min.	Pick-up voltage max.	Hold voltage max.	Drop-out voltage min.
012	12	16	390	7.0	4.0	0.63	10.8	6.5	0.40
027	27	32	1560	14.2	8.0	1.37	24.3	13.0	0.89

**Notes:** We can offer many kinds of coil voltage under the requirement of users.

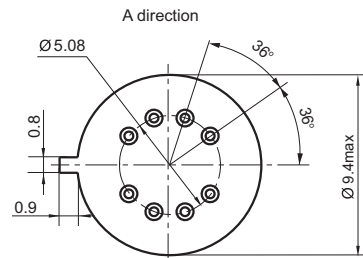
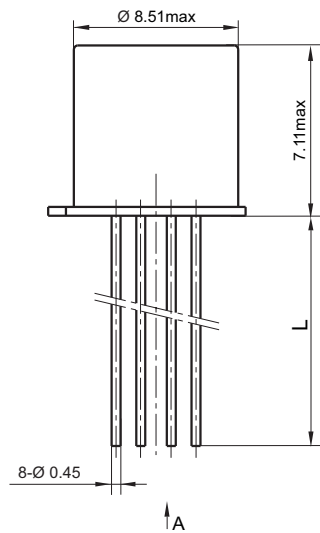
## ORDERING INFORMATION

	<b>HF9111</b>	<b>-027</b>	<b>-01</b>
<b>Type</b>			
<b>Order Number</b>	012、027		
<b>Terminals Style</b>	01、02、03 (See " Terminal styles " below)		

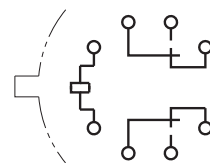
## OUTLINE DIMENSIONS AND WIRING DIAGRAM

Unit:mm

### Outline Dimension



(Bottom View)



Wiring Diagram

(Bottom View)

L	Terminal Styles Code
5.0 ±0.5	01
12.5min	02
38min	03

### Disclaimer

This datasheet is for the customers' reference. All the specifications are subject to change without notice.

© Xiamen Hongfa Hermetically Sealed Relays Co., Ltd. All rights of Hongfa are reserved.