

HF9112

TO-5 SENSITIVE DPDT HERMETICALLY SEALED RELAY



Features

- Coil power consumption:0.25W
- Sensitive type
- High ambient applicability
- All metal welded construction
- Fusing soldering and marked by laser
- Internal diode for coil transient suppression protection

Conform to GJB65B-99 (Equivalent to MIL-PRF-39016)

AMBIENT ADAPTABILITY

Ambient grade		I	II	III
Ambient temperature		-55 °C to 85 °C	-55 °C to 85 °C	-65 °C to 125 °C
Humidity		98 %, 40 °C		
Low air pressure		58.53 kPa	4.39 kPa	4.39 kPa
Sine vibration	Frequency	10 Hz to 1000 Hz	10 Hz to 2000 Hz	10 Hz to 3000 Hz
	Acceleration	147 m/s ²	196 m/s ²	294 m/s ²
Shock resistance		490 m/s ²	735 m/s ²	735 m/s ²
Random vibration		—	20 (m/s ²) ² /Hz	40 (m/s ²) ² /Hz
Steady-state acceleration		490 m/s ²		

CONTACT DATA

Ambient grade		I	II	III
Arrangement		2 C		
Contact resistance	Initial max.	125 mΩ	100 mΩ	100 mΩ
	After life max.	250 mΩ	200 mΩ	200 mΩ

Contact ratings

Ambient grade	Contact load	Type	Electrical life min.
I	0.5 A 28 Vd.c.	Resistive	1 x 10 ⁵ OPS
	0.5 A 28 Vd.c.	Resistive	1 x 10 ⁵ OPS
II	0.2 A 28 Vd.c. 320 mH	Inductive	1 x 10 ⁵ OPS
	0.1 A 28 Vd.c.	Lamp load	1 x 10 ⁵ OPS
III	0.5 A 28 Vd.c.	Resistive	1 x 10 ⁵ OPS
	0.2 A 28 Vd.c. 320 mH	Inductive	1 x 10 ⁵ OPS
	0.1 A 28 Vd.c.	Lamp load	1 x 10 ⁵ OPS
	50 μA 50 mVd.c.	Low level	1 x 10 ⁵ OPS



HONGFA HERMETICALLY SEALED RELAY

SPECIFICATION

Ambient grade	I	II	III
Insulation resistance min.	1000 MΩ (@ 500 Vd.c.)	10000 MΩ (@ 500 Vd.c.)	10000 MΩ (@ 500 Vd.c.)
Dielectric strength min. (Normal condition)	Between open contacts	500 Vr.m.s.	500 Vr.m.s.
	Between contact & coil	500 Vr.m.s.	500 Vr.m.s.
	Between contact & cover	500 Vr.m.s.	500 Vr.m.s.
	Between contact group	500 Vr.m.s.	500 Vr.m.s.
	Between coil & cover	500 Vr.m.s.	500 Vr.m.s.
Dielectric strength min. (Low air pressure condition)	125 Vr.m.s.	125 Vr.m.s.	125 Vr.m.s.
Leakage rate max.	1 Pa•cm ³ /s	1 x 10 ⁻¹ Pa•cm ³ /s	1 x 10 ⁻³ Pa•cm ³ /s
Operate time max.			2 ms
Release time max / Coil transient suppression type			1.5 ms / 4 ms
Mounting style			See the mounting dimension
Terminals			See the terminal styles
Work position			Random
Weight max.			2.55 g

COIL DATA

Norminal coil power	Approx.0.25W
---------------------	--------------

Coil Version

Order Number	Coil voltage		at 25 °C				-65°C to 125°C	
	Nominal voltage	Value max.	Coil resistance (1±10%) Ω	Pick-up voltage max.	Hold voltage max.	Drop-out voltage min.	Pick-up voltage max.	Drop-out voltage min.
007	7	8.4	230	4.8	2.4	0.34	5.5	0.22

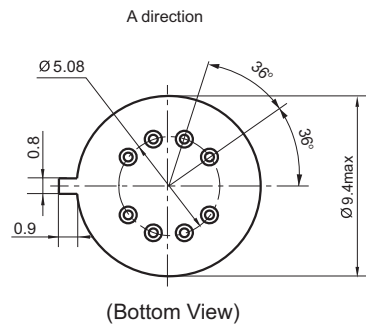
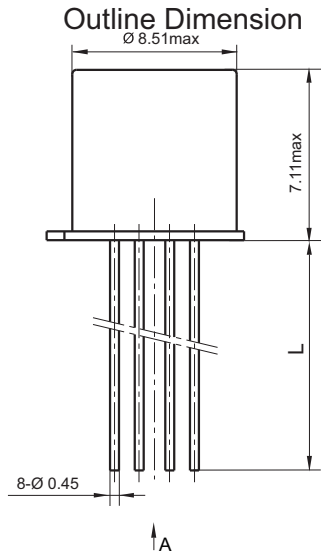
Notes: We can offer many kinds of coil voltage under the requirement of users.

ORDERING INFORMATION

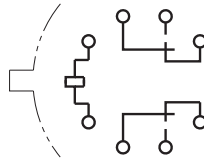
Type	HF9112	-007	D	-01	- I
Order Number	007				
Transient suppression protection	D: Coil With diode transient suppression protection Nil: Without diode				
Terminals Style	01、02、03 (See " Terminal styles " below)				
Ambient Grade	I、II、III				

OUTLINE DIMENSIONS AND WIRING DIAGRAM

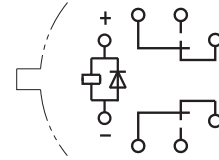
Unit:mm



L	Terminal Styles Code
5.0 ± 0.5	01
12.5min	02
38min	03



Wiring Diagram
(Bottom View)
(Without diode transient suppression protection)



Wiring Diagram
(Bottom View)
(With diode transient suppression protection)

Disclaimer

This datasheet is for the customers' reference. All the specifications are subject to change without notice.

© Xiamen Hongfa Hermetically Sealed Relays Co., Ltd. All rights of Hongfa are reserved.