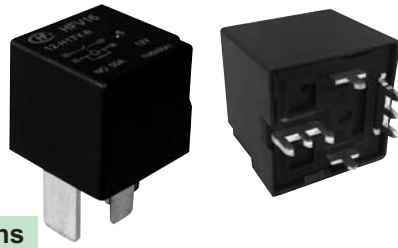


HFV16

AUTOMOTIVE RELAY



Typical Applications

Fog lamp & headlight control, Rear window defogger, Air-conditioning, Fuel pump control, ABS, Traction control system, Cooling fan control, Battery disconnection device, High-speed fan control

Features

- 70A switching capability
- Extended temp. range up to 125°C
- Transient suppression resistor or diode available
- 1 Form A contact arrangement
- Plastic sealed and dust protected types available
- QC terminal and PCB terminal available
- RoHS & ELV compliant
- Pin assignment similar to ISO 7588 part 1

CHARACTERISTICS

Contact arrangement	1A	Shock resistance ^{5) 10)}	294m/s ²
Voltage drop (initial)	Typ.: 20mV (at 10A) Max.: 250mV (at 10A)	Flammability ⁶⁾	UL94-HB or better (meets FMVSS 302)
Max. continuous current ^{1) 10)}	70A (at 23°C), 50A(at 85°C), 30A(at 125°C)	Termination	QC ¹¹⁾ , PCB ⁷⁾
Max. switching current ¹⁰⁾	Make (NO): 200A ²⁾ Break (NO):70A (Resistive, 13.5VDC)	Construction	Plastic sealed, Dust protected
Min. contact load	1A 6VDC	Unit weight	Approx. 38g
Electrical endurance	See "CONTACT DATA"	Mechanical data ⁸⁾	housing retention (pull & push): 200N min. terminal retention (pull & push): 100N min. terminal resistance to bending (front & side): 10N min. ⁹⁾
Mechanical endurance	1 x 10 ⁶ OPS (300OPS/min)		
Initial insulation resistance	100MΩ (at 500VDC)		
Dielectric strength ³⁾	500VAC		
Operate time ¹⁰⁾	Max.: 10ms (at nomi. vol.)		
Release time ^{4) 10)}	Max.: 10ms		
Ambient temperature	-40°C to 125°C		
Vibration resistance ^{5) 10)}	5Hz to 22.3Hz 10mm DA 22.3Hz to 500Hz 98m/s ²		

- 1) Measured when applying 100% rated voltage on coil.
- 2) Inrush peak current under lamp load, at 13.5VDC.
- 3) 1min, leakage current less than 1mA
- 4) The value is measured when voltage drops suddenly from nominal voltage to 0 VDC and coil is not paralleled with suppression circuit.
- 5) When energized, opening time of NO contacts shall not exceed 100μs.
- 6) FMVSS: Federal Motor Vehicle Safety Standard.
- 7) Since it is an environmental friendly product, please select lead-free solder when welding. The recommended soldering temperature and time is (250±3)°C , (5±0.3)s.
- 8) Only valid for QC version.
- 9) Test point is at 2mm away from terminal end, and after removing testing force, the terminal transfiguration shall not exceed 0.3mm.
- 10) Only for the 12VDC coil voltage type.
- 11) Do NOT knock on relays with hard objects such as rubber rod and rubber hammer during mounting, which might lead to relay damage.

CONTACT DATA ⁵⁾

Load voltage	Load type	Load current A	On/Off ratio		Electrical endurance ³⁾ OPS	Contact material	Load wiring diagram ⁴⁾	Ambient temp.		
			On s	Off s						
13.5VDC	Resistive	Make	70	2	2	1×10 ⁵	AgSnO ₂	See diagram 1	at 23°C	
		Break	70							
	Inductive	Make	150	2	4	1×10 ⁵	AgSnO ₂	See diagram 2	See Ambient temp. curve	
		Break	50							
	Lamp ¹⁾	Make	200 ²⁾	2	2	1×10 ⁵	AgSnO ₂	See diagram 3		
		Break	40							
27VDC	Resistive	Make	40	2	2	1×10 ⁵	AgSnO ₂	See diagram 1		at 23°C
		Break	40							

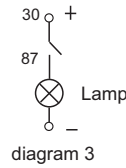
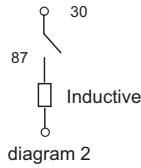
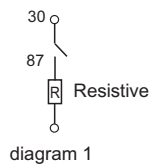


HONGFA RELAY

ISO9001, ISO/TS16949, ISO14001, OHSAS18001, IECQ QC 080000 CERTIFIED

2017 Rev. 1.00

- 1) The load in the table excludes flasher. When applied in flasher, a special silver alloy (AgSnO₂) contact material should be used and the customer special code should be (170) as a suffix. Please heed the anode and cathode's request when wired, terminal 30 should connect with anode.
- 2) Corresponds to the peak inrush current on initial actuation (cold filament).
- 3) A low resistive or diode suppression device in parallel to the relay coil increases the release time and reduces the life time caused by increased erosion and / or higher risk of contact welding.
- 4) The load wiring diagrams are listed below:



- 5) Loads mentioned in this chart is for relays with no parallel diode or Zener Diode. For those with parallel diode, Zener Diode or other components, please contact Hongfa for more technical supports.
Please also contact Hongfa if the actual application load is different from what mentioned above.

COIL DATA								at 23°C	
Nominal voltage VDC	Pick-up voltage VDC max.	Drop-out voltage VDC min.	Coil resistance x(±10%)Ω	Parallel resistance x(±5%)Ω	Equivalent resistance Ω	Power consumption W	Max. allowable overdrive voltage ¹⁾ VDC		
							at 23°C	at 85°C	
12	7.2	1.2	90	---	---	1.6	20.2	15.7	
12	7.2	1.2	90	680	79.5	1.8	20.2	15.7	
24	16	2.4	320	---	---	1.8	40.5	31.5	
24	16	2.4	320	2700	286	2.0	40.5	31.5	

- 1) Max. allowable overdrive voltage is stated with no load applied.
- 2) Illustrated with the type with parallel resistor (680Ω, 12V), (2700Ω,24V).

ORDERING INFORMATION	
Type	HFV16 / 12 -H 1 S T Y -R (XXX) HFV16: QC type HFV16-P: PCB type
Coil voltage	12: 12VDC 24: 24VDC
Contact arrangement	H: 1 Form A
Version	1: QC Terminal Nil: PCB type 4: Plastic Bracket
Construction ¹⁾	S: Plastic sealed ²⁾ Nil: Dust protected
Contact material	T: AgSnO ₂
Terminal	Y: QC Terminal without hole and 30 & 87 terminal length is 14.5mm Nil: QC Terminal with hole and 30 & 87 terminal length is 14.5mm, or PCB type
Parallel coil ³⁾ components	R: Parallel transient suppression resistors(680Ω, 12V) (2700Ω,24V) R1: Parallel transient suppression resistors(560Ω, 12V) (1200Ω,24V) D: Parallel transient suppression diode, with anode connected to terminal#85 D1: Parallel transient suppression diode, with anode connected to terminal#86 Nil: Without parallel components
Special code ⁴⁾	XXX: Customer special requirement Nil: Standard

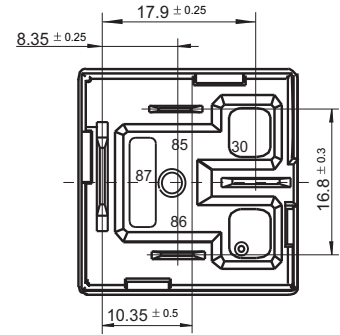
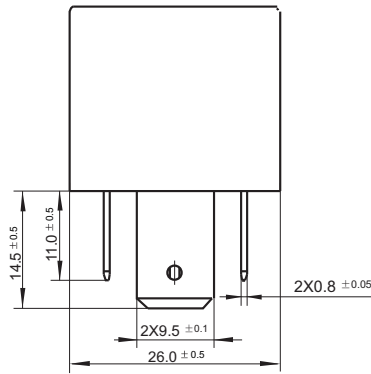
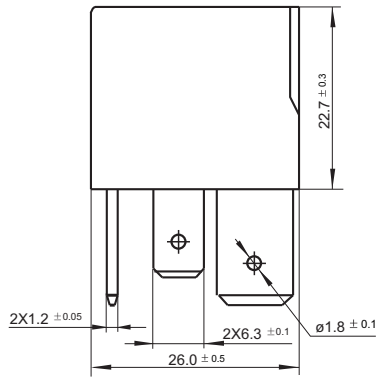
- Notes:**
- 1) Dust protected version is recommended.
 - 2) Contact is recommended for suitable condition and specifications if water cleaning or surface process is involved in assembling relays on PCB.
 - 3) If the switch-off peak voltage of coil is required to be smaller than 100V, R1 shall be used (measured voltage of 12V is 13.5V);
If parallel diode, Zener Diode or other components are required, please contact Hongfa for more technical supports.
 - 4) The customer special requirement express as special code after evaluating by Hongfa. e.g. (170) stands for flasher load.

OUTLINE DIMENSIONS AND WIRING DIAGRAM

Unit: mm

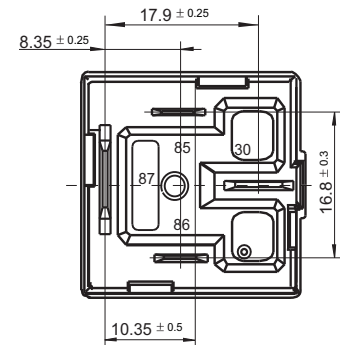
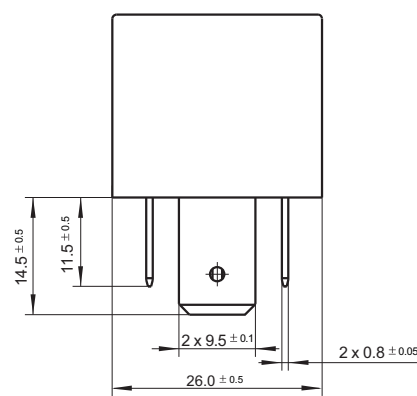
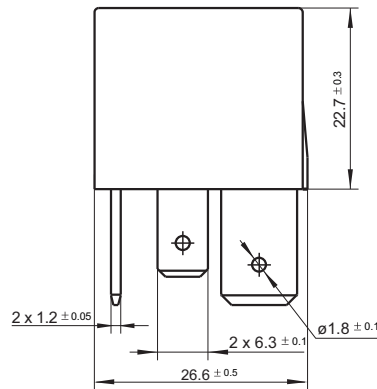
Outline Dimensions

HFV16/□□-H1T□-□□(XXX)



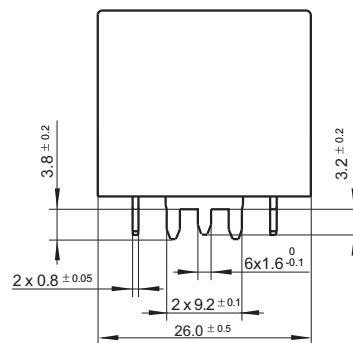
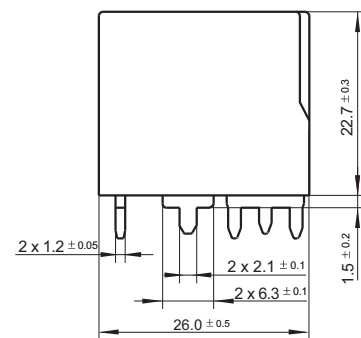
(Bottom view)

HFV16/□□-H1ST□-□□(XXX)

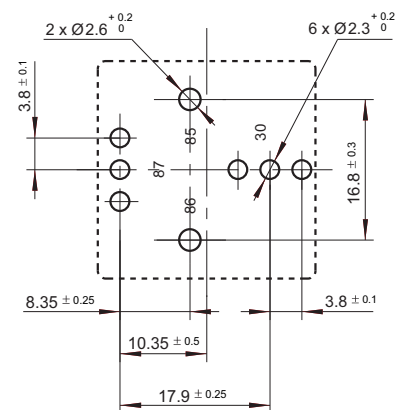


(Bottom view)

HFV16-P/□□-HT-□□(XXX)



PCB Layout (Bottom view)

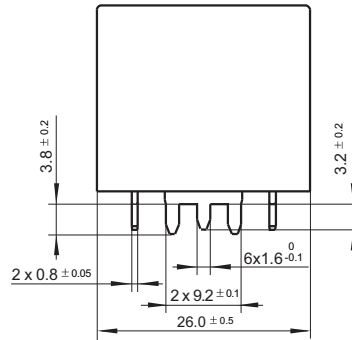
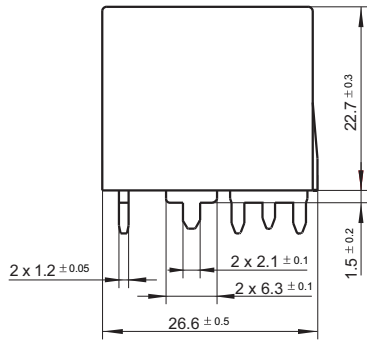


OUTLINE DIMENSIONS AND WIRING DIAGRAM

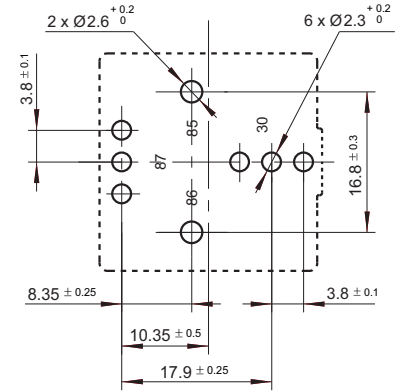
Unit: mm

Outline Dimensions

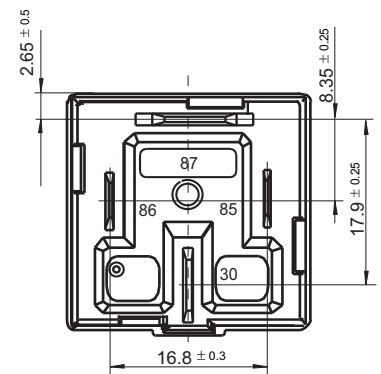
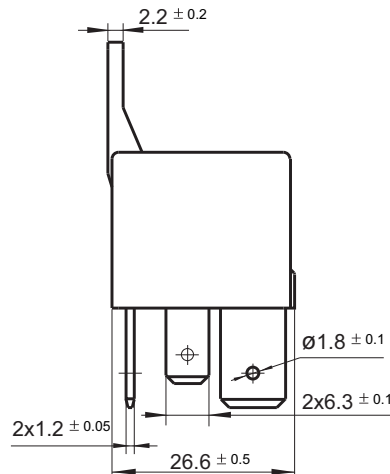
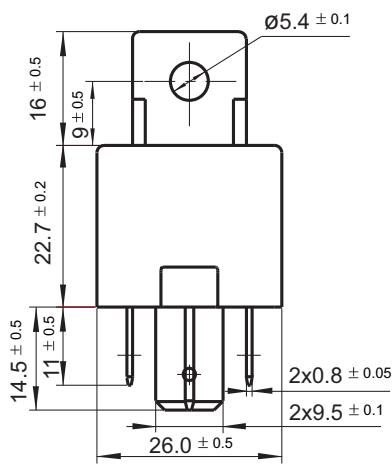
HFV16-P/□□-HST-□□(XXX)



PCB Layout (Bottom view)



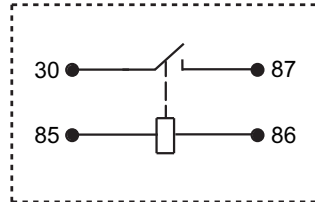
HFV16/□□-H4□T□-□□(XXX)



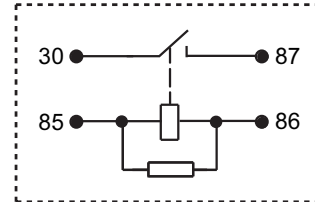
Remark: Terminal vertical deviation tolerance is 0.3mm.

Wiring Diagram

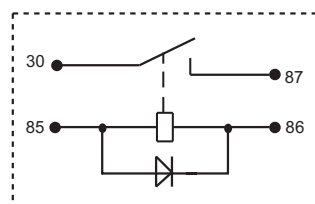
HFV16□□/□□-H□□T□(XXX)



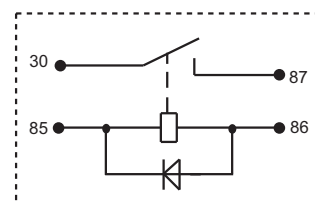
HFV16□□/□□-H□□T□-R(XXX)



HFV16□□/□□-H□□T□-D(XXX)

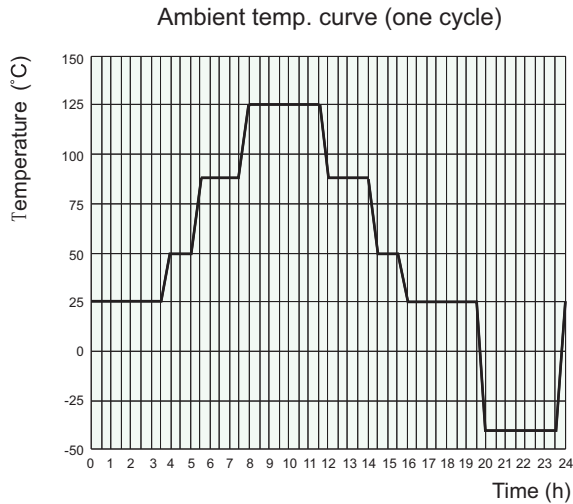


HFV16□□/□□-H□□T□-D1(XXX)



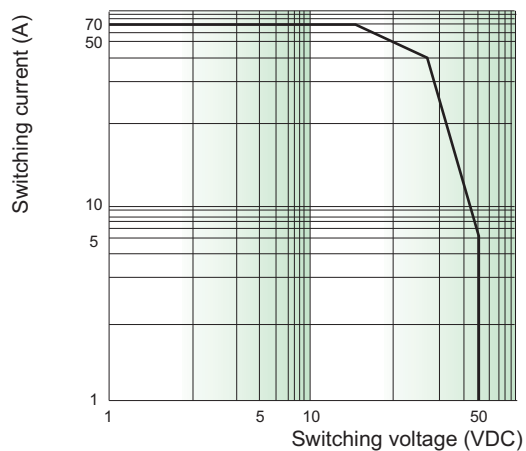
CHARACTERISTIC CURVES

1. Ambient temperature curve of the electrical endurance test



- 1) The minimum temperature is -40°C .
- 2) The maximum temperature is 125°C .

2. Load limit curve



- 1) The contact load is resistive.
- 2) The load and electrical endurance tests are made according to "CONTACT DATA" parameters' table. If actual load voltage, current, or operate frequency is different from "CONTACT DATA" table, please arrange corresponding tests for confirmation.

Disclaimer

The specification is for reference only. See to "Terminology and Guidelines" for more information. Specifications subject to change without notice. In case there is specific criterion (such as mission profile, technical specification, PPAP etc.) checked and agreed by and between customer and Hongfa, this specific criterion should be taken as standard regarding any requirement on Hongfa product.

We could not evaluate all the performance and all the parameters for every possible application. Thus the user should be in a right position to choose the suitable product for their own application. If there is any query, please contact Hongfa for the technical service. However, it is the user's responsibility to determine which product should be used only.

© Xiamen Hongfa Electroacoustic Co., Ltd. All rights of Hongfa are reserved.