

# HF3501/ HF3508

# FLASHER



### Features

- Special integrate circuit, good performance
- Special high-performance contacts, ultra-long Electrical endurance
- Surface mounting technology, advanced craftwork
- Solid base design, stable structure
- Ingress protection: IP50

### Typical Applications

Turn signal & Hazard warning lamp control

## TYPE

Type	Product series name	Dimensions	Output mode
HF3501	Automotive flasher	(30 × 30 × 40) mm	Single output
HF3508 <sup>1)</sup>	Miniature automotive flasher	(30 × 30 × 30) mm	Single output

1) The application of HF3508 series can be expanded to halogen lamp load of (21W+5W)+5W(LED).

## CHARACTERISTICS

Type		HF3501	HF3508
Nominal voltage		12VDC / 24VDC	12VDC
Operating voltage	12V System	9VDC to 16VDC	9VDC to 16VDC
	24V System	18VDC to 32VDC	—
Nominal load	Turning mode	2×21W + 5W	2×21W + 5W
	Hazard mode	2×(2×21W + 5W)	2×(2×21W + 5W)
	Lamp outage mode	21W + 5W	21W + 5W
Flash frequency		(60 to 110)OPS / min	(60 to 110)OPS / min
Lamp failure flash frequency		(140 to 230)OPS / min	(140 to 230)OPS / min
Electrical endurance	Turning 15s on/15s off 12V	1000h	1000h
	Hazard continuously 12V	360h	360h
	Turning 15s on/15s off 24V	400h	—
	Hazard continuously 24V	200h	—
Duty cycle		30% to 70%	30% to 70%
Ambient temperature		-40°C to 85°C	-40°C to 85°C
Vibration resistance		10Hz to 200Hz 49m/s <sup>2</sup>	10Hz to 200Hz 49m/s <sup>2</sup>
Shock resistance		196m/s <sup>2</sup>	196m/s <sup>2</sup>
Unit weight		Approx.40g	Approx.30g
Mechanical performance	Cover retention	160N min.	160N min.
	Terminal retention	100N min.	100N min.



HONGFA RELAY

ISO9001, ISO/TS16949, ISO14001, OHSAS18001, IECQ QC 080000 CERTIFIED

2015 Rev. 1.00

## ORDERING INFORMATION

Type	HF3501 / HF3508 /	12	-H	-B	R	(XXX)
	Suffix (A-Z) is for specific extending application					
Nominal voltage	12: 12VDC 24: 24VDC (Only for HF3501)					
Contact arrangement	H: 1 Form A					
Mounting mode	B: With bracket Nil: Without bracket					
Polarity logic	R: Reverse polarity Nil: Positive polarity					
Special code <sup>1)</sup>	XXX: Customer special requirement Nil: Standard					

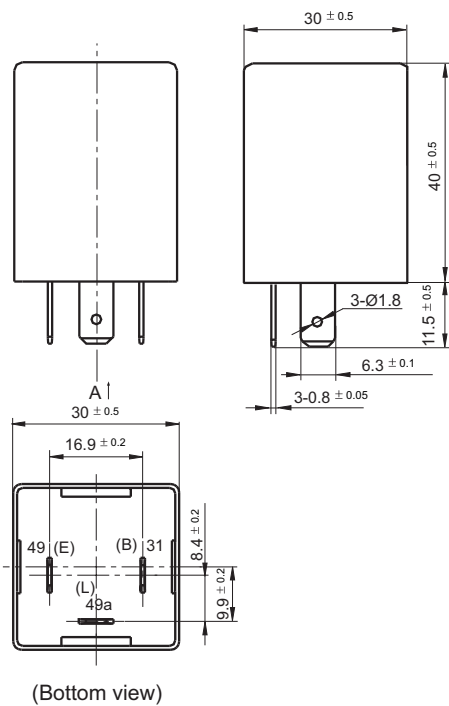
Notes: 1) The customer special requirement express as special code after evaluating by Hongfa.

## OUTLINE DIMENSIONS, WIRING DIAGRAM

Unit: mm

### OUTLINE DIMENSIONS

HF3501/□□-H-□(XXX)



HF3501/□□-H-B□(XXX)

