

A4-4Z-C2-X

Relay Socket



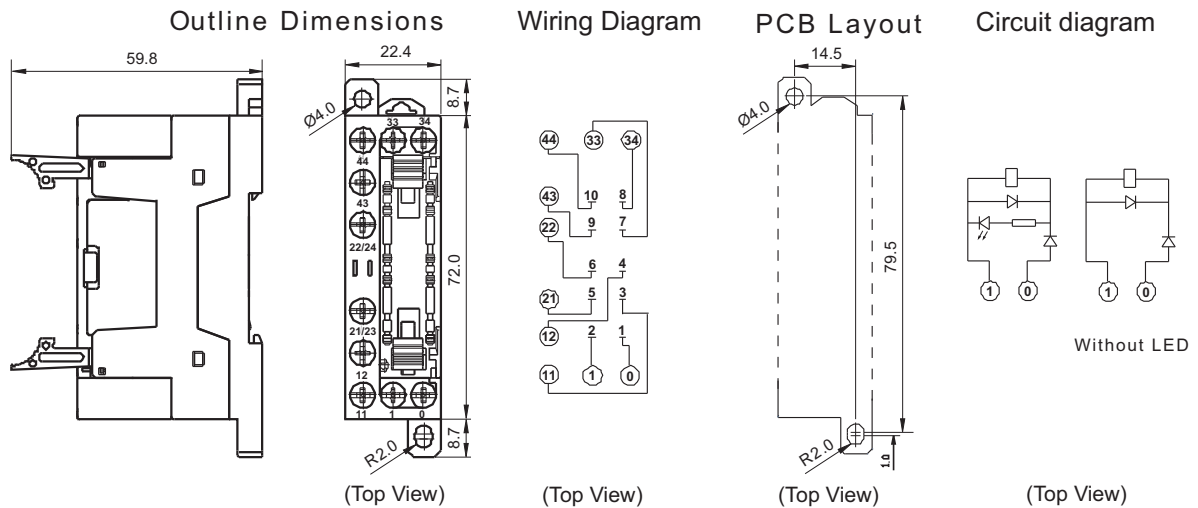
Features

- Ambient temperature : -25 °C ~ 55 °C
- Rated voltage: 250VAC
- Rated current : 6A
- Input voltage: 6 ~ 110VDC
- Dielectric strength : 2500VAC
- Terminal torque: 1.0Nm
- Wire strip length : 7mm
- Max wire size : mm² 2x1.5
AWG 2x16
- Applicable relay type : HFA4

ORDERING INFORMATION

	A4	-4Z	-C2	-X
Type				
Contact arrangement	4Z: 4 Pole			
Termination & mounting	C2: Screw Terminal, DIN rail mounting, With finger protection device			
Voltage of module	D24: Applicable rated voltage: 6, 9, 12, 18, 24 VDC D60: Applicable rated voltage: 36, 48, 60 VDC D110: Applicable rated voltage: 85, 110 VDC Nil: Without LED			

OUTLINE DIMENSIONS, WIRING DIAGRAM, PC BOARD LAYOUT AND CIRCUIT DIAGRAM Unit: mm



Notes: Main outline dimension(L, W, H) ≥50mm, tolerance should be ±1mm; outline dimension >20mm and <50mm, tolerance should be ±0.5mm; outline dimension ≤20mm, tolerance should be ±0.3mm.

Disclaimer

This datasheet is for the customers' reference. All the specifications are subject to change without notice. We could not evaluate all the performance and all the parameters for every possible application. Thus the user should be in a right position to choose the suitable product for their own application. If there is any query, please contact Hongfa for the technical service. However, it is the user's responsibility to determine which product should be used only.

© Xiamen Hongfa Electroacoustic Co., Ltd. All rights of Hongfa are reserved.