


DRPF-2C

DRPF-4C


- 体积小、2C:10A, 4C:5A切换功率
 - 配有多种插座可供选择
 - 带测试按钮和机械动作指示窗
 - 环保产品 **RoHS REACH**
-
- Small size,2C:10A,4C:5A switching power
 - Multiple sockets optional
 - With test button and instruction window
 - Green product **RoHS REACH**

性能参数 Performance parameters

触点参数 Contact parameters

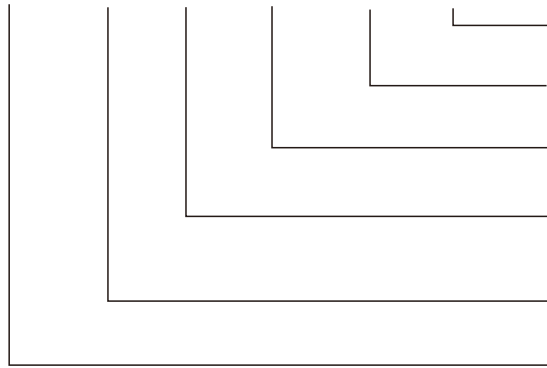
触点形式 Contact form	2C,4C	
触点材料 Contact material	AgNi,AgSnO	
阻性负载 Resistive load	2C:10A@250VAC/30VDC	4C:5A@250VAC/30VDC
马达负载 Motor load	2C:1/3HP@240VAC	4C:1/6HP@240VAC
切换功率 Switch power	2C:2500VA,300W	4C:1250VA,150W
接触电阻 (初始) Contact resistance(Initial)	<50mΩ	
电气寿命 (1s通/1s断) Electrical life(1s on/1s off)	>1x10 ⁵ (800 Ops/h)	
机械寿命 (300次/分钟) Mechanical life(300cycles/min)	>1x10 ⁷ (18000 Ops/h)	

线圈参数 Coil parameters

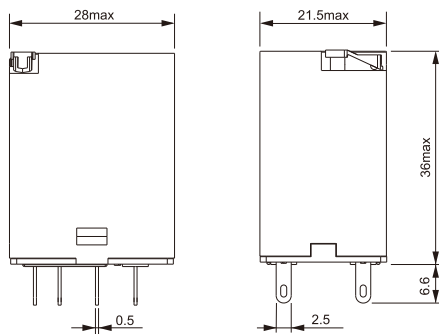
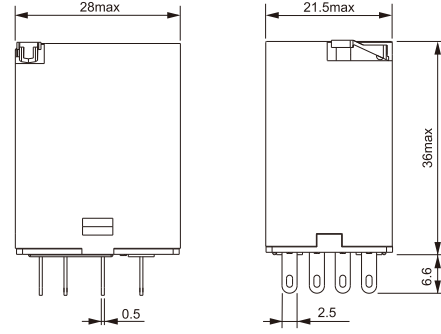
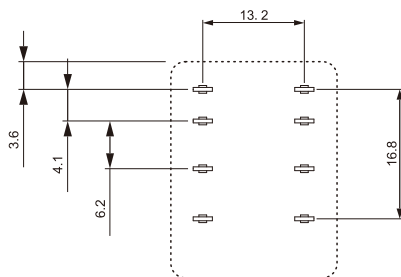
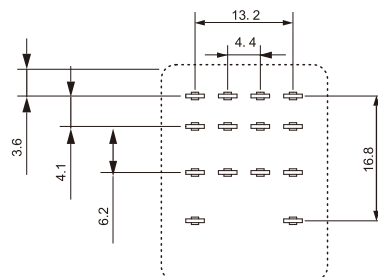
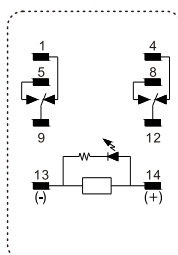
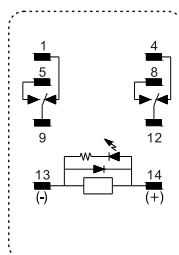
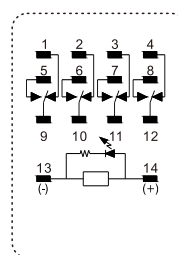
额定电压 Rated voltage (DC)	DC12V	DC24V	DC48V	DC110V	DC220V
额定电阻 Rated resistance(±10%)	160Ω	630Ω	2600Ω	11000Ω	42000Ω
额定电压 Rated voltage (AC)	AC24V	AC48V	AC110V	AC230V	AC380V
额定电阻 Rated resistance(±10%)	160Ω	600Ω	4430Ω	16500Ω	42000Ω
吸合电压 Operate voltage	DC:≤75%(Rated voltage);AC:≤80%(Rated voltage)				
释放电压 Release voltage	DC:≥10%(Rated voltage);AC:≥30%(Rated voltage)				
最大工作电压 Max input voltage	110%(Rated voltage)				
线圈功耗 Coil power	0.9W/1.2VA				
吸合时间 Operate time	<20ms				
释放时间 Release time	<20ms				

通用参数 Universal parameters

绝缘电阻 Insulation resistance	1000MΩ(500VDC)
介电耐压 Dielectric voltage	
同极触点间 Between contacts	1000VAC/1min
异极触点间 Between contacts(different pole)	2000VAC/1min
线圈触点间 Between contacts and coil	2000VAC/1min
耐冲击 Shock withstanding	10G(Half sine wave pulse 11ms)
耐振动 Vibration withstanding	10-55Hz(Double amplitude 1.0mm)
环境温度 Ambient temperature	-55...+70℃
环境湿度 Ambient humidity	35%~85%RH
重量 Weight	35g
配套插座 Matching socket	2C:DPKF08A series ; 4C:DPKF14A series

型号订购 Model order
DRPF - 2C - LR - D24 - XXA (H)


环保:H
 RoHS:H
 客户需求:01A;02A...
 Customized Request:01A;02A... ..
 线圈电压:DC:D12,D24,D48,D110,D220
 Coil voltage:AC:A24,A48,A110,A230,A380
 功能选项:LR 灯+自锁按钮;LDR 灯+二极管+自锁按钮
 Function option:LR:LED+putton test;
 LDR:LED+Diode+Putton test
 触点形式:2C,4C
 Contact form:2C,4C
 产品大类:DRPF
 Product Category:DRPF

外形尺寸图 Overall dimensions
DRPF-2C

DRPF-4C

脚位图、接线图 Installation diagrams, Wiring diagrams
DRPF-2C

DRPF-4C

DRPF-2C-LR

DRPF-2C-LDR

DRPF-4C-LR

DRPF-4C-LDR
