


DRPL-3C

DRPL-4C


- 体积小、10A切换功率
 - 配有多种插座可供选择
 - 多种规格，可配指示灯
 - 环保产品 **RoHS REACH**
-
- Small size, 10A switching power
 - Multiple sockets optional
 - Various specification, LED is optional
 - Green product **RoHS REACH**

性能参数 Performance parameters

触点参数 Contact parameters

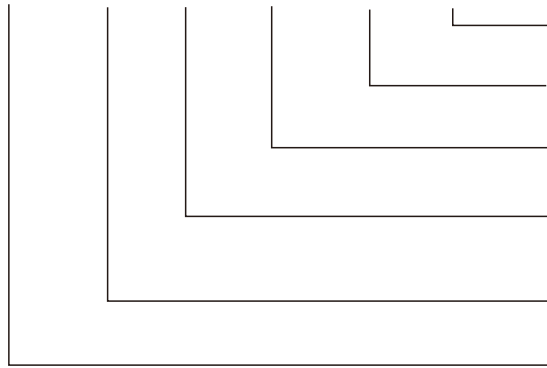
触点形式 Contact form	3C,4C
触点材料 Contact material	AgNi,AgSnO
阻性负载 Resistive load	10A@250VAC/30VDC
马达负载 Motor load	1/6HP@240VAC
切换功率 Switch power	2500VA,300W
接触电阻(初始) Contact resistance(Initial)	<50mΩ
电气寿命(1s通/1s断) Electrical life(1s on/1s off)	>1x10 ⁵ (1800 Ops/h)
机械寿命(300次/分钟) Mechanical life(300cycles/min)	>1x10 ⁷ (18000 Ops/h)

线圈参数 Coil parameters

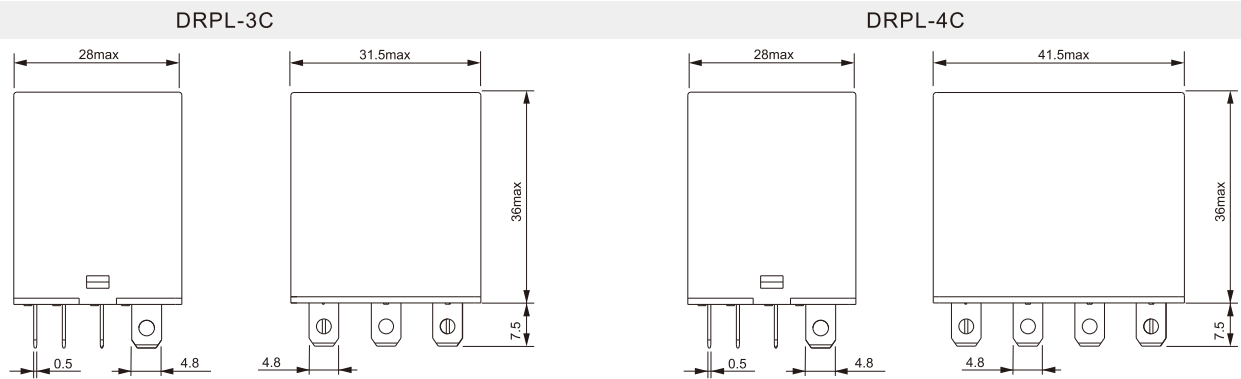
额定电压 Rated voltage (DC)	DC12V	DC24V	DC48V	DC110V	DC220V	
额定电阻 Rated resistance(±10%)	3C	100Ω	400Ω	1600Ω	8400Ω	33000Ω
	4C	96Ω	360Ω	1540Ω	6800Ω	29000Ω
额定电压 Rated voltage (AC)	AC24V	AC48V	AC110V	AC230V	AC380V	
额定电阻 Rated resistance(±10%)	3C	102Ω	410Ω	2500Ω	10000Ω	26000Ω
	4C	80Ω	320Ω	1680Ω	8000Ω	20000Ω
吸合电压 Operate voltage	DC:≤75%(Rated voltage);AC:≤80% (Rated voltage)					
释放电压 Release voltage	DC:≥10%(Rated voltage);AC:≥30% (Rated voltage)					
最大工作电压 Max input voltage	110%(Rated voltage)					
线圈功耗 Coil power	3C:1.4W/2VA ; 4C:1.5W/2.5VA					
吸合时间 Operate time	<20ms					
释放时间 Release time	<20ms					

通用参数 Universal parameters

绝缘电阻 Insulation resistance	500MΩ(500VDC)
介质耐压 Dielectric voltage	
同极触点间 Between contacts	1000VAC/1min
异极触点间 Between contacts(different pole)	2000VAC/1min
线圈触点间 Between contacts and coil	2000VAC/1min
耐冲击 Shock withstanding	10G(Half sine wave pulse 11ms)
耐振动 Vibration withstanding	10-55Hz(Double amplitude 1.0mm)
环境温度 Amblent temperature	-25...+55°C
环境湿度 Amblent humidity	35%~85%RH
重量 Weight	35g
配套插座 Matching socket	3C:DPTF11A series ; 4C:DPTF14A series

型号订购 Model order
DRPL - 4C - L - D24 - XXA (H)


环保:H
 RoHS:H
 客户需求:01A;02A...
 Customized Request:01A;02A... ..
 线圈电压:DC:D12,D24,D48,D110,D220
 Coil voltage:AC:A24,A48,A110,A230,A380
 功能选项:无:常规;L:灯;LD:灯+二极管
 Function option:Blank:Routine;
 L:LED;LD:LED+Diode
 触点形式:3C,4C
 Contact form:3C,4C
 产品大类:DRPL
 Product Category:DRPL

外形尺寸图 Overall dimensions

脚位图、接线图 Installation diagrams, Wiring diagrams
