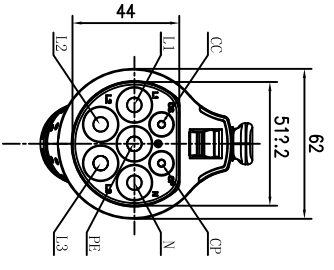
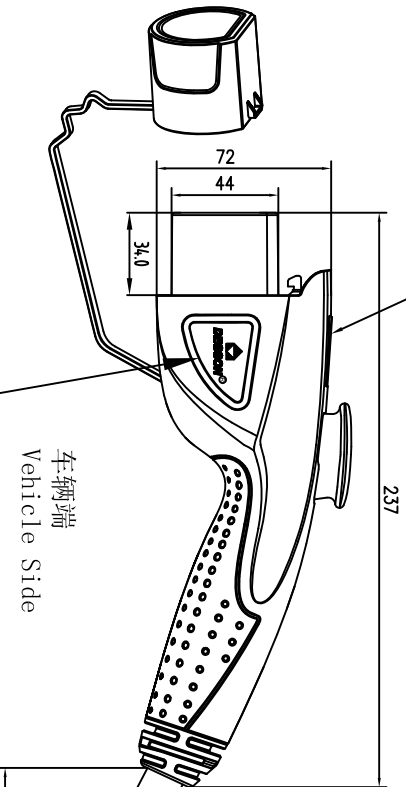
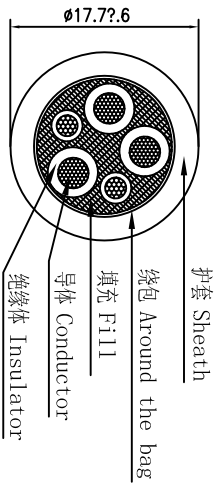


车辆端 Vehicle side  
 标贴 The mark sticks

★ 该产品符合最新国标《电动汽车传导充电连接装置》符合国际GB/T20234.2-2015要求  
 The product comply with the latest national standard GB/T20234.2-2015 "Electric Vehicle Charging Connection device"



A-A Section



产品符合最新国标《电动汽车传导充电连接装置》符合国际GB/T20234.2-2015要求  
 The product comply with the latest national standard GB/T20234.2-2015 "Electric Vehicle Charging Connection device"

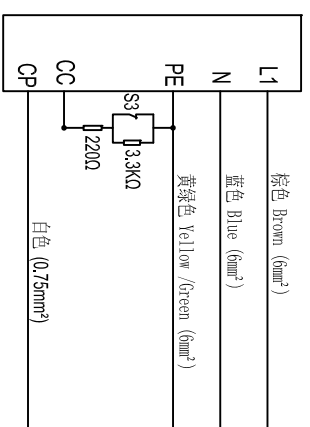
车辆端 Vehicle side marking information  
 The marking information of the vehicle side is the following:  
**DEGSON**  
 MGAG-32A-SV  
 32A 250V AC  
 GB/T20234.2-2015  
 IP55 (mated)  
 201xxxx-000x

技术参数 Technical parameters

额定电压 Rated voltage	250V AC
额定电流 Rated current	32A
温度范围 Temperature range	-30℃~+50℃
绝缘电阻 Insulate resistance	>10MΩ, 1000V DC
耐压电压 Bear voltage	L、N与PE >2500V AC L与PE >2500V AC
防护等级 Ingress protection	IP55 (Mated)
插拔次数 The insertion/pullout times	10000 次
插拔力 Insertion/pullout force	<100N
标准 Standard	GB/T 20234.2-2015

Customer Drawing

国标车辆端接线图  
 National standard vehicle wiring diagram



线性尺寸范围 .XX	.X	PLASTIC DRAWING FRAME	MATERIAL:	SURFACE FINISH:
0-6	±0.05	PART NO.:	宁波高松电子有限公司 NINGBO DEGSON ELECTRICAL CO.,LTD	
6-30	±0.1	NAME: 国际交流车辆端充电枪 (32A单相) National standard AC vehicle charging connection (32A single-phase)	TITLE: 接线图 Wiring diagram	REV DO-1
30-120	±0.15	APPD:	DRAWING NO.:	SHEET 1/1
120-400	±0.2	CHKD:	SCALE	3/1
400-1000	±0.3	DRFT:		
1000-2000	±0.5			
角度尺寸范围 .XX	.X	THIRD ANGLE PROJECTION		
	±1°			