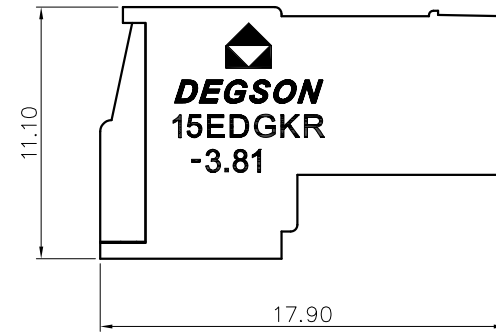
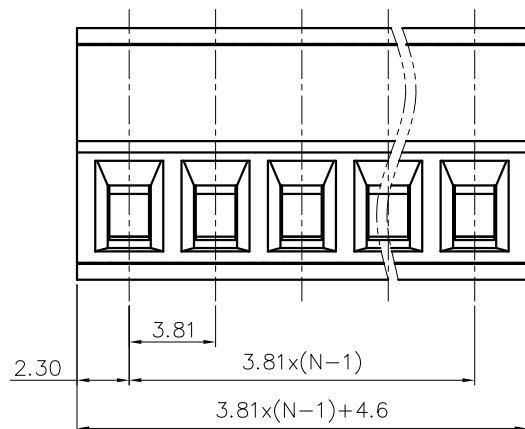
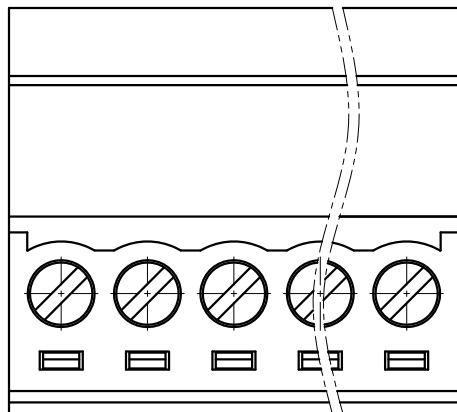
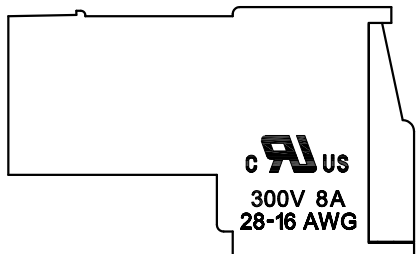


REVISION RECORD				
REV	ECN	DESCRIPTION	DRFT	DATE



15EDGKR - 3.81 - XXP - 1Y - 00A (H)
 (Series No.) (Pitch) (Poles) (Color):1.(Grey)2.(Blue)3.(Black)4.(Green)5.(Orange)
 6.(Red)7.(Transparent)8.(Yellow)9.(White)
 00A-(Standard) (RoHS)
 (Single Pitch)



NOTES1:
 UL Standard
 1.Rated voltage/current : 300V / 8A
 2.Withstanding voltage : AC1600V/1Min.
 3.Torque value : M2 , 1.77Lb.in
 4.Wire range : 28~16AWG

IEC Standard

1. Pollution degree	2
Overvoltage category	II
Rate impulse voltage(KV)	2.5KV
Rate voltage(V)	250V
Rate current(A)	7A

2.Torque value : M2 , 0.2N·m
 3.Wire range : 1.5mm²

NOTES2:
 1.Dimension shall be interpreted per ASME Y14.5-2009
 2.Pitch : 3.81mm, Poles : N=02~16P
 3.Stripping length : 6~7mm
 4.Operating temperature: -40°C~+105°C
 5.Undimensioned tolerances:

Pitch range in mm		Nominal dimension range in mm							-	∩	∇
TO	Over	Over	Over	Over	Over	Over	Over	0.1/10			
6	10	10	24	30	60	100	150				
±0.15	±0.20	±0.30	±0.30	±0.50	±0.70	±1.00	±1.30	±2'			

6.RoHS Compliance

DETACHED LISTS	PART NO.:	NINGBO DEGSON ELECTRICAL CO., LTD			
	APPD:	NAME: 15EDGKR-3.81-XXP-1Y-00A(H)			
	CHKD:	TITLE: CUSTOMER DRAWING			
	DRFT:	DRAWING NO.:		REV	DO
THIRD ANGLE PROJECTION		MM (INCH)	DO NOT SCALE DRAWING	SHEET 1/1	SCALE 1:1