

REVISION RECORD				
REV	ECN	DESCRIPTION	DRFT	DATE

NOTES1:

UL Standard

- 1.Rated Voltage/Current : 300V / 55A
- 2.Torque Value : M5 , 17.54Lb.in
- 3.Wire Range : 12~6AWG

IEC Standard

- 1.Rated Voltage/Current : 750V / 57A
- 2.Torque Value : M5 , 2.0N·m
- 3.Wire Range : 4~10mm²

NOTES2:

- 1.Dimension shall be interpreted per ASME Y14.5-2009
- 2.Poles : N=01P
- 3.Stripping length : 8~10mm
- 4.Withstanding Voltage : AC3000V/1Min.
- 5.Operating temperature: -40°C~+105°C
- 6.Undimensioned Tolerances:

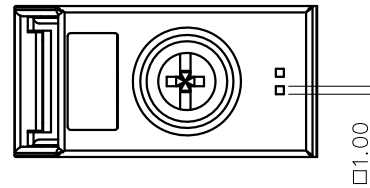
Pitch range in mm		Nominal dimension range in mm						-	∩	□
TO	Over	Over	Over	Over	Over	Over				
6	10	10	30	60	100	150				
±0.15	±0.20	±0.30	±0.30	±0.50	±0.70	±1.00	±1.30	±2*		

7.RoHS Compliance

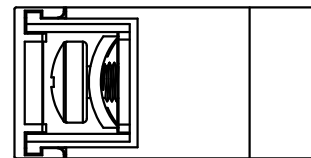
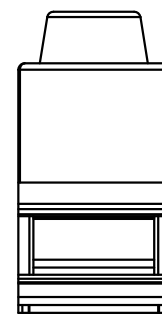
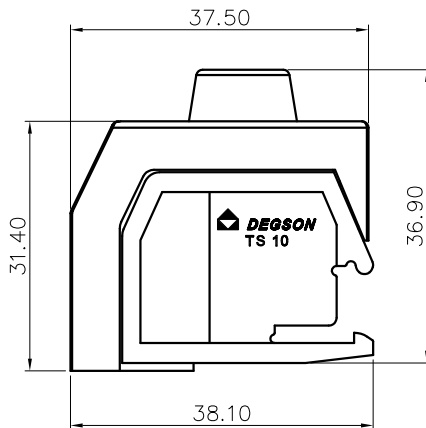
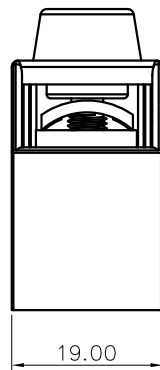
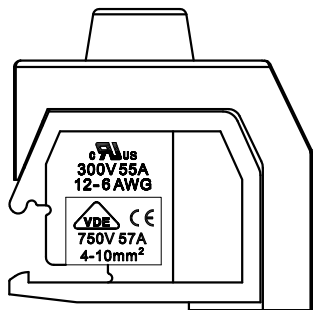
TS 10 - 01P - 1Y - 00A (H)

(Series No.) (Poles) (Single Pitch) (Color): 1.(Grey)
 2.(Blue)
 3.(Black)
 4.(Green)
 5.(Orange)
 6.(Red)
 7.(Transparent)
 8.(Yellow)
 9.(White)

(RoHS)
 00A-(Standard)



1.00



DETACHED LISTS	PART NO.:	NINGBO DEGSON ELECTRICAL CO., LTD			
	APPD:	NAME: TS 10-01P-1Y-00A(H)			
	CHKD:	TITLE: CUSTOMER DRAWING			
	DRFT:	DRAWING NO.:	REV	DO	
	THIRD ANGLE PROJECTION		SHEET	1/1	
		SCALE	1:1		