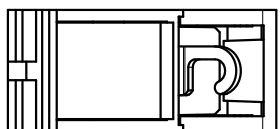
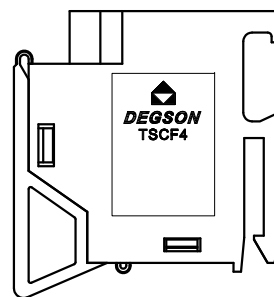
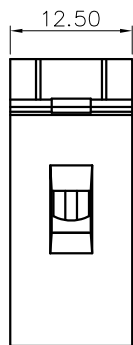
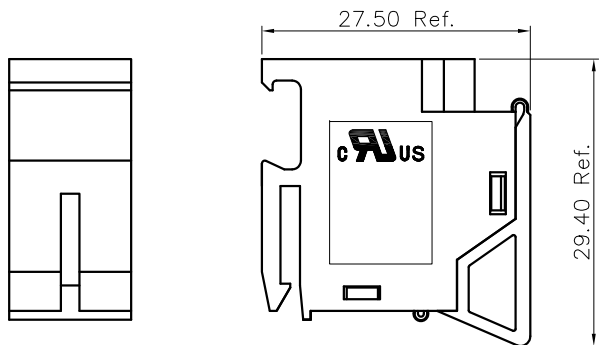
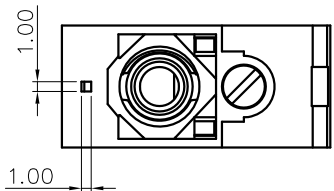


REVISION RECORD				
REV	ECN	DESCRIPTION	DRFT	DATE



NOTES1:

UL Standard

- 1. Rated Voltage/Current : 300V / 8A
- 2. Torque Value : M3.5 , 7.02Lb.in
- 3. Wire Range : 30~10AWG

IEC Standard

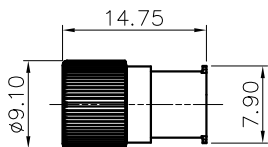
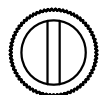
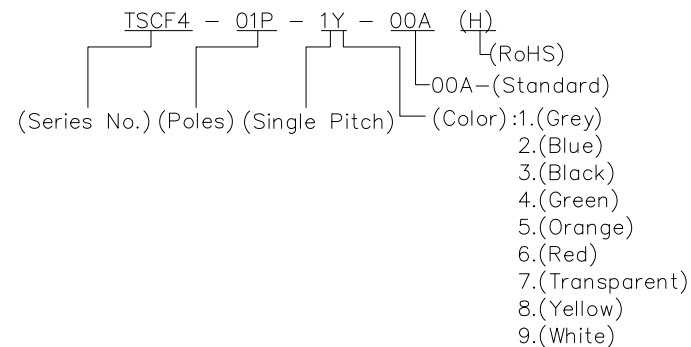
- 1. Rated Voltage/Current : 250V / 10A
- 2. Torque Value : M3.5 , 0.8N·m
- 3. Wire Range : 0.5~4mm<sup>2</sup>

NOTES2:

- 1. Dimension shall be interpreted per ASME Y14.5-2009
- 2. Poles : N=01P
- 3. Stripping length : 8mm
- 4. Withstanding Voltage : AC2000V/1Min.
- 5. Operating temperature : -40°C~+105°C
- 6. Undimensioned Tolerances:

Pitch range in mm		Nominal dimension range in mm					0.1/10
TO	Over TO	TO	Over TO	TO	Over TO	TO	
6	10	30	60	100	150	<	
±0.15	±0.20	±0.30	±0.50	±0.70	±1.00	±1.30	

7. RoHS Compliance



DETACHED LISTS	PART NO.:	/			
	APPD:	/			
	CHKD:	/			
	DRFT:	/			
	<p>THIRD ANGLE PROJECTION</p>		<p>MM (INCH)</p>		DO NOT SCALE DRAWING
<p>宁波高松电子有限公司 NINGBO DEGSON ELECTRICAL CO., LTD</p>		<p>TSCF4-01P-1Y-00A(H)</p>		REV	DO
		TITLE: CUSTOMER DRAWING		REV	DO
		DRAWING NO.: /		SHEET	1/1
				SCALE	1:1