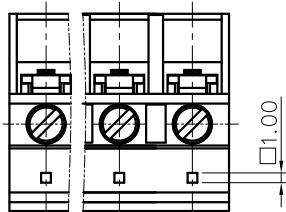


REVISION RECORD				
REV	ECN	DESCRIPTION	DRFT	DATE



NOTES1:

UL Standard

1. Rated Voltage/Current : 600V / 30A
2. Torque Value : M3 , 4.43Lb.in
3. Wire Range : 20~10AWG

IEC Standard

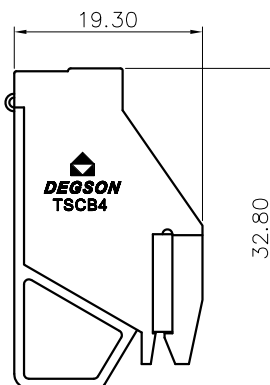
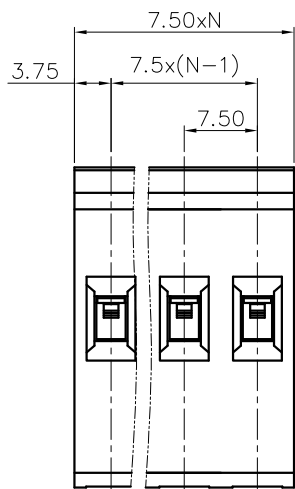
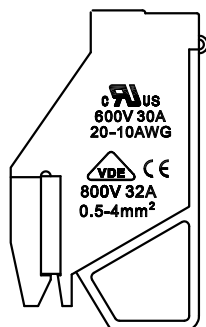
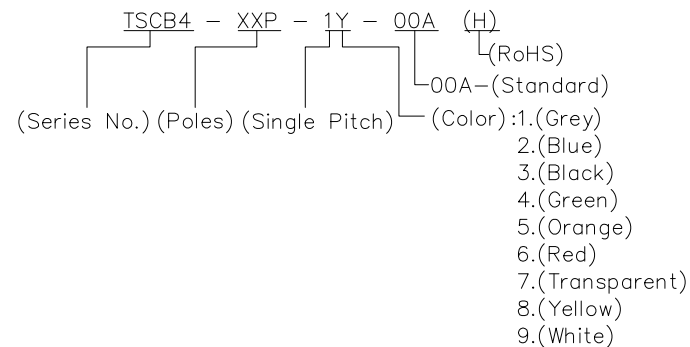
1. Rated Voltage/Current : 800V / 32A
2. Torque Value : M3 , 0.5N·m
3. Wire Range : 0.5~4mm²

NOTES2:

1. Dimension shall be interpreted per ASME Y14.5-2009
2. Pitch : 7.50mm, Poles : N=01~03P
3. Stripping length : 10~12mm
4. Withstanding Voltage : AC3500V/1Min.
5. Operating temperature : -40°C~+105°C
6. Undimensioned Tolerances:

Pitch range in mm			Nominal dimension range in mm					-	∩	∇
TO	Over TO	Over TO	TO	Over TO	Over TO	Over TO	0.1/10			
6	6 TO 10	10 TO 24	30	30 TO 60	60 TO 100	100 TO 150				
	±0.15	±0.20	±0.30	±0.30	±0.50	±0.70	±1.00	±1.30	±2*	

7. RoHS Compliance



DETACHED LISTS	PART NO.:	NINGBO DEGSON ELECTRICAL CO., LTD			
	APPD:	NAME: TSCB4-XXP-1Y-00A(H)			
	CHKD:	TITLE: CUSTOMER DRAWING			
	DRFT:	DRAWING NO.:		REV	DO
THIRD ANGLE PROJECTION		DO NOT SCALE DRAWING		SHEET 1/1	SCALE 1:1