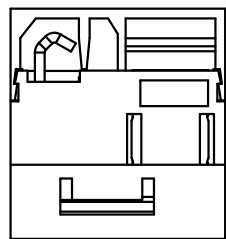
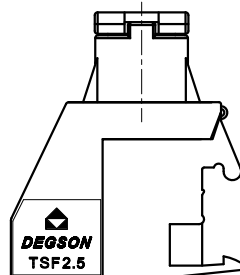
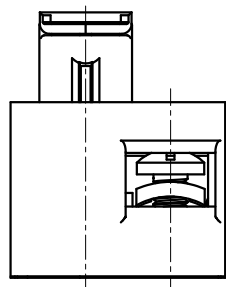
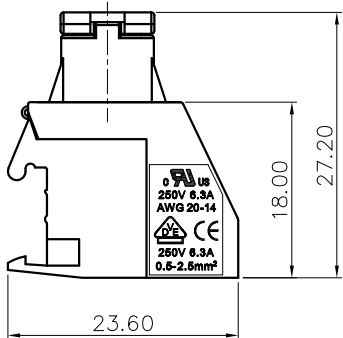
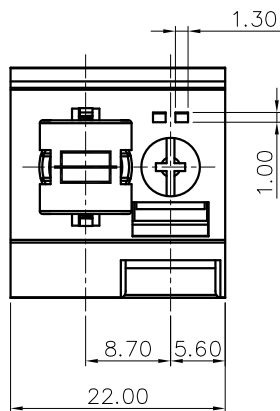


REVISION RECORD				
REV	ECN	DESCRIPTION	DRFT	DATE



NOTES1:

UL Standard

1. Rated Voltage/Current : 250V / 6.3A
2. Torque Value : M3.5 , 7.02Lb.in
3. Wire Range : 20~14AWG

IEC Standard

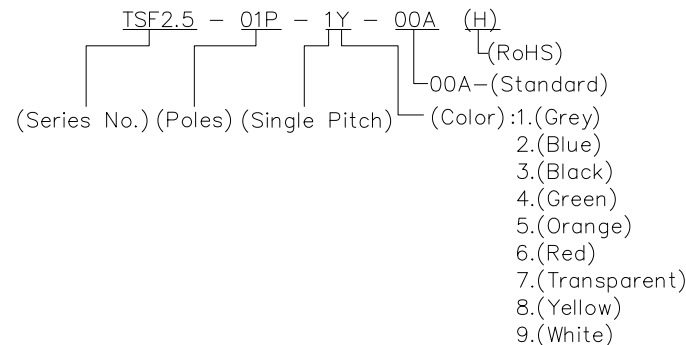
1. Rated Voltage/Current : 250V / 6.3A
2. Torque Value : M3.5 , 0.8N·m
3. Wire Range : 0.5~2.5mm²

NOTES2:

1. Dimension shall be interpreted per ASME Y14.5-2009
2. Poles : N=01P
3. Stripping length : 8~10mm
4. Withstanding Voltage : AC2000V/1Min.
5. Operating temperature: -40°C~+105°C
6. Undimensioned Tolerances:

Pitch range in mm		Nominal dimension range in mm				-	∩	∇
Over 6	Over 10	Over 30	Over 60	Over 100	Over 150	0.1/10		
TO 6	TO 24	TO 30	TO 60	TO 100	TO 150	<		
±0.15	±0.20	±0.30	±0.30	±0.50	±0.70	±1.00	±1.30	±2°

7. RoHS Compliance



DETACHED LISTS	PART NO.:	/			
	APPD:	/			
	CHKD:	/			
	DRFT:	/			
	<p>THIRD ANGLE PROJECTION</p>		<p>DO NOT SCALE DRAWING</p>		
<p>NINGBO DEGSON ELECTRONICS CO., LTD</p> <p>DEGSON®</p>		<p>NAME: TSF2.5-01P-1Y-00A(H)</p>			
<p>TITLE: CUSTOMER DRAWING</p>		REV	DO		
<p>DRAWING NO.: /</p>		SHEET	1/1		
<p>SCALE: 1:1</p>					